

# 1340 Curved Vanity Unit

Burlington®

## DESCRIPTION

1340 Freestanding Vanity Unit – 2 Drawers, 2 Doors, Matt White, Carrera Marble Kordura Top

## PRODUCT CODE

FC4W-CW



## FEATURES

- Dimensions - W 1336 x H 930 x D 548mm
- Available in Matt White.
- The paint used on our products is polyurethane or UV based. It is five times harder and more durable than lacquer finishes.
- Kordura top is 25mm thick, in White, or coloured Kordura tops.\*\*
- Comes with or without Kordura splash back.
- 2 soft-close drawers. 2 doors with 1 internal glass shelf in each.
- Chrome plated metal handles.
- Includes integrated Kordura Inset basin with overflow.
- A template is provided indicating tap hole positions and sizes.

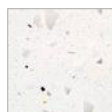
## KORDURA TOP FINISHES\*\*



White



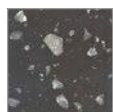
Carrera  
Marble



Ice  
Crystal



Peak  
Stone



Black  
Granite

## NOTES

Refer to following page for technical drawings. \*Non-stock item.\*\*15% surcharge applies for coloured Kordura tops. Tapholes do not come with predrilled – this is the responsibility of the installer, and can be cut with a hole saw.

**MICHEL CÉSAR**  
**VCBC**  
**BURLINGTON**  
**LAUNDRY**

/ WHERE BATHROOMS  
& LAUNDRIES  
COME TOGETHER  
BEAUTIFULLY /

info@smail.co.nz  
bathco.co.nz

4-8 Ace Place  
Kingsland  
Auckland 1021  
New Zealand

P +64 9 309 9109  
F +64 9 309 9343

86 Wigram Road  
P.O. Box 8644  
Christchurch 8025  
New Zealand

P +64 3 343 0969  
F +64 3 343 0967

**BATH/**  
**CO/**

# 1340 Curved Vanity Unit

Burlington®

## DESCRIPTION

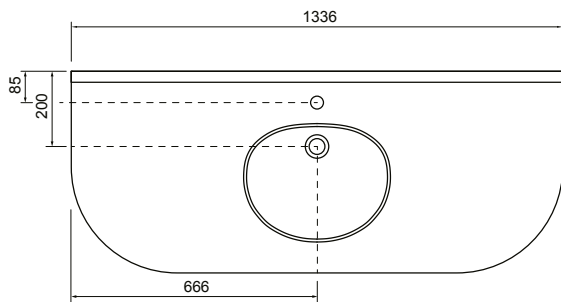
1340 Freestanding Vanity Unit – 2 Drawers, 2 Doors, Matt White, Carrera Marble Kordura Top

## PRODUCT CODE

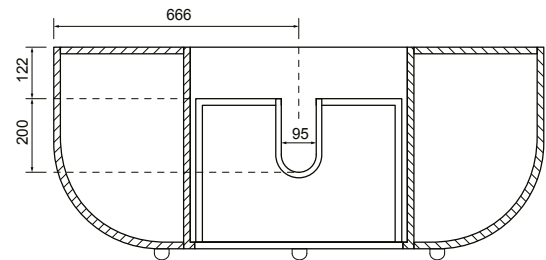
FC4W-CW

## TECHNICAL DRAWINGS

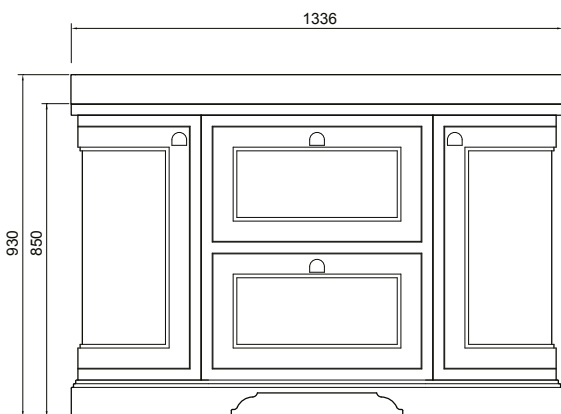
Top



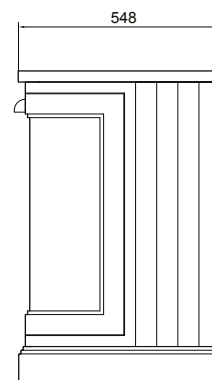
Top Section



Front



Side



## NOTES

Drawing indicates the technical measurement only and is not a reflection of how the unit will look. Sizes are nominal only. All drawings in millimeters. Drawings not to scale.