

DESCRIPTION

Erika Pro - 1 Drawer, Wall Hung Vanity with Ceramic Basin

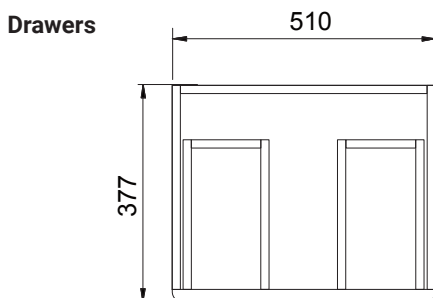
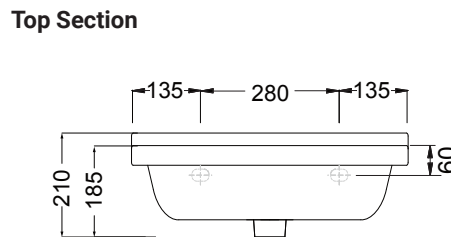
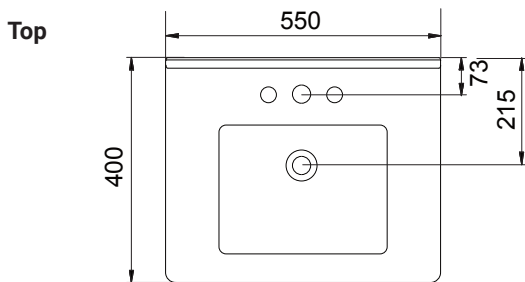
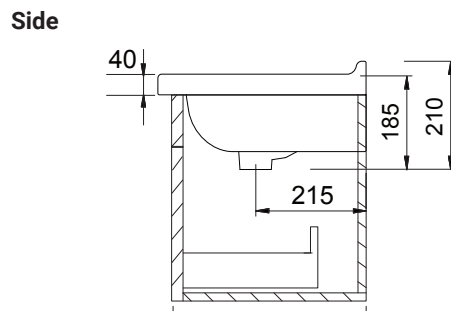
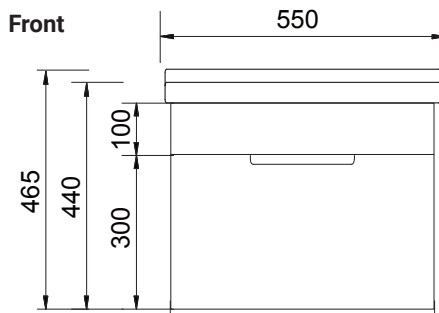
PRODUCT CODE

E55WH / E55WHT / E55WHCC



Dimensions	W 550 x H 465 x D 400 (mm)
Finishes	Timber Veneer, White or Custom Colour Paint.
Basin	Ceramic Top with Integrated Basin (with Overflow).
Handleless	Handleless Finger Pull Design.
Origin	New Zealand Made Cabinetry.
Features	<ul style="list-style-type: none"> • Paint – The paint used on our products is polyurethane or UV-based. It is harder and more durable than lacquer finishes. • Timber Veneer finishes are 100% natural, each may have variations in grain and colour. All come stained and sealed with a protective UV finish.

TECHNICAL DRAWINGS



NOTES

Accessories not included. Drawing indicates the technical measurement only and is not a reflection of how the product will look. Sizes are nominal only. All drawings in millimeters. Drawings not to scale. August 2024.