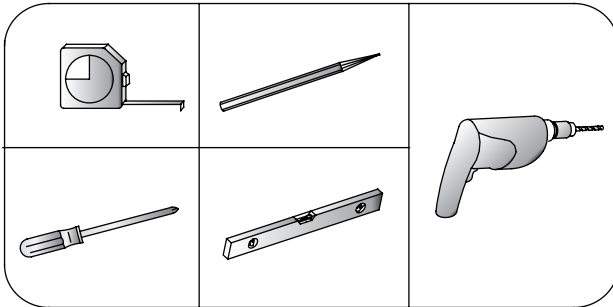
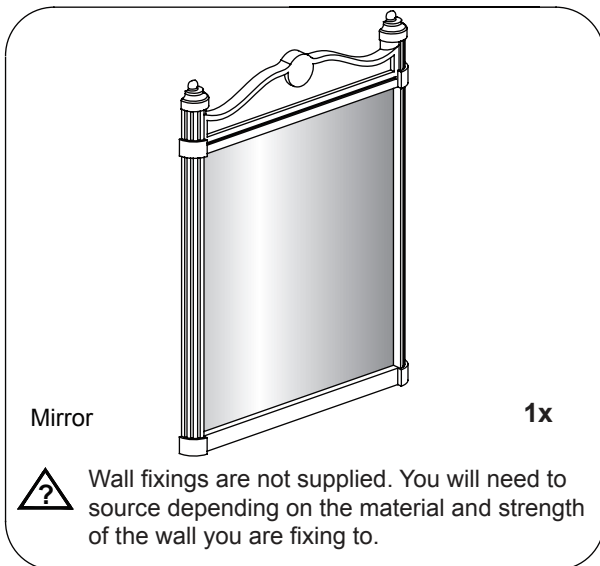


**Tools required:**



**Parts supplied:**

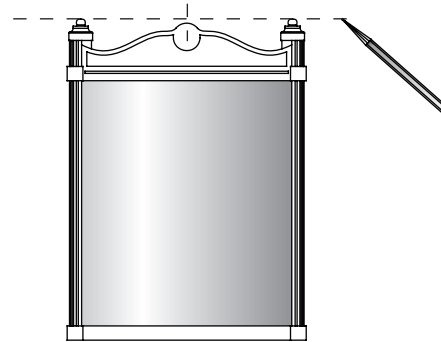


**MAINTENANCE & CLEANING**

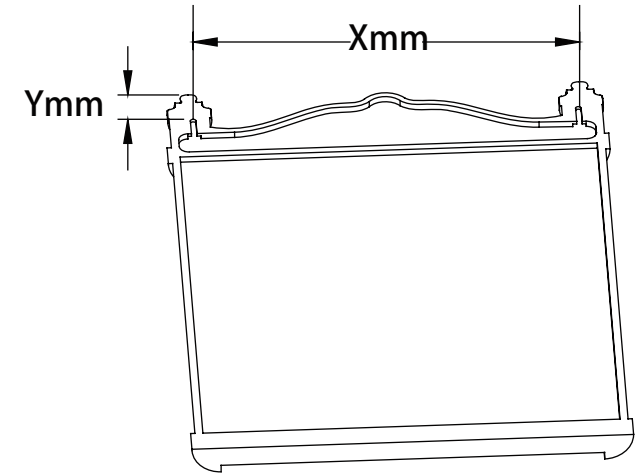
The mirror edges are treated with a specially formulated sealant designed to protect the mirror edges from contaminants and discolouring. Failure to follow cleaning guidelines can/will remove the benefits of the sealant.

NEVER use products containing bleach, cleaners of a gritty or abrasive nature or so called "glass and mirror" cleaning products, that can be detrimental to the long lasting finish of the mirror. ONLY use a clean dry or damp micro fibre cloth to clean the mirror and mirror frame.

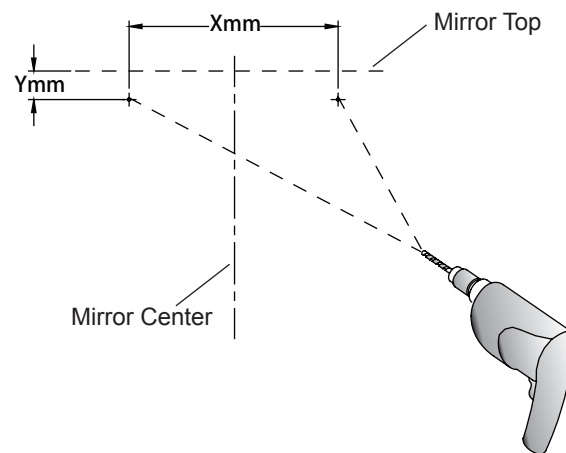
- 1** Ensure the mirror is level, and determine the final installation position.



- 2** Turn the mirror over, measure the X and Y distance separately. On the back of the mirror record the fixing hole positions shown as X and Y.



- 3** Mark out the fixing hole positions as diagram below. Drill holes and insert fixings.



- 4** Hang the mirror onto the wall with the fixing holes are aligned. Check for stability and level.

