

# English Classic

# Burlington®

## DESCRIPTION

English Classic 600 Floor Standing Vanity – 2 Drawer, Matte English White

## PRODUCT CODE

ENG60D2



## FEATURES

- Dimensions - W600 x H892 x D485mm
- Available in single bowl: 600, 700, 800 and 1000mm widths
- Ceramic top with overflow from Europe.
- Cabinet features Edwardian design with matte English White paint finish or in your choice of custom matte or satin paint colour<sup>^</sup>.
- The paint used on our products is polyurethane or UV based. It is five times harder and more durable than lacquer finishes.
- Soft-close drawers. New drawer heights offer storage variations.
- Traditional handles - available in polished chrome, satin black, antique bronze or antique pewter.
- Matches perfectly with our Burlington tapware & accessories range.

## PAINT FINISH\*



Matte  
English  
White



Custom  
Matte or  
Satin Paint<sup>^</sup>

## HANDLE OPTIONS



Polished Chrome



Satin Black



Antique Bronze



Antique Pewter

## NOTES

Refer to following page for technical drawings. \*Non-stock item. <sup>^</sup>15% surcharge applies on custom matte paint colour. Tapholes do not come with predrilled – this is the responsibility of the installer, and can be cut with a hole saw, jigsaw or router. Excludes tapware & accessories.

**MICHEL CÉSAR**  
**VCBC**  
**BURLINGTON**  
**LAUNDRY**

/ WHERE BATHROOMS  
& LAUNDRIES  
COME TOGETHER  
BEAUTIFULLY /

info@smail.co.nz  
bathco.co.nz

4-8 Ace Place  
Kingsland  
Auckland 1021  
New Zealand

P +64 9 309 9109  
F +64 9 309 9343

86 Wigram Road  
P.O. Box 8644  
Christchurch 8025  
New Zealand

P +64 3 343 0969  
F +64 3 343 0967

**BATH/**  
**CO/**

# English Classic

Burlington®

## DESCRIPTION

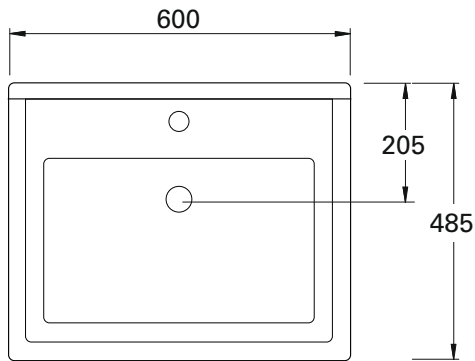
English Classic 600 Floor Standing Vanity – 2 Drawer, Matte English White

## PRODUCT CODE

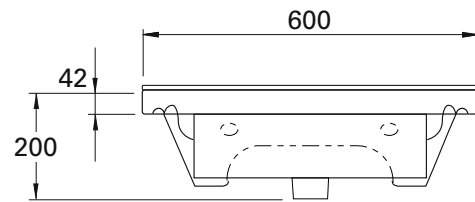
ENG60D2

## TECHNICAL DRAWINGS

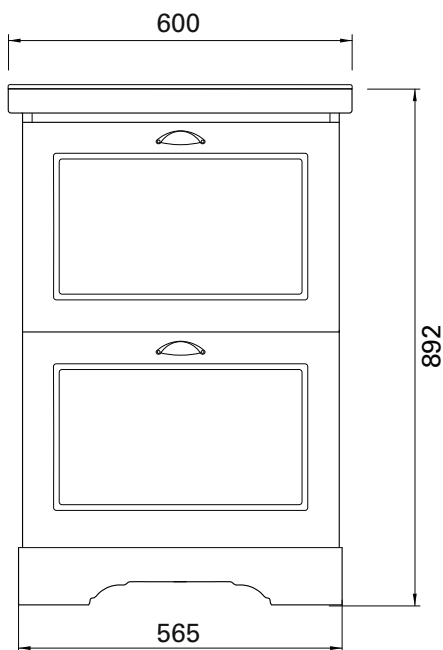
Top



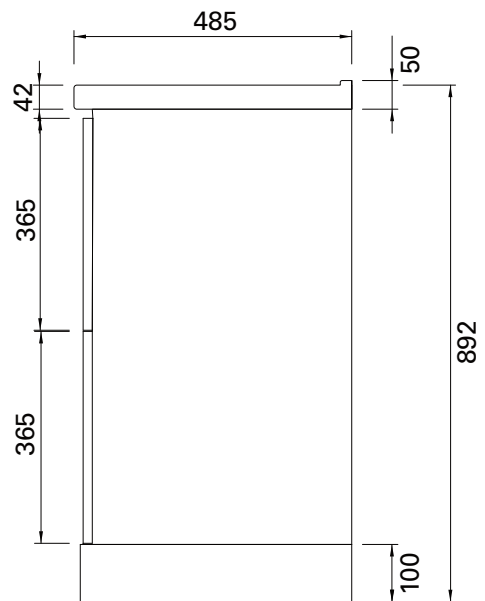
Top Section



Front



Side



## NOTES

Drawing indicates the technical measurement only and is not a reflection of how the unit will look. Sizes are nominal only. All drawings in millimeters. Drawings not to scale.