

English Classic

Burlington®

DESCRIPTION

English Classic 1550 Floor Standing Vanity – 4 Drawers, Matt White

PRODUCT CODE

ENG1550D4DB



FEATURES

- Dimensions - W 1550 x H 885 x D 500mm
- Available in 1130, 1350 or 1550mm widths – floor standing only.
- Available in single or double bowls – single bowl must be offset left or right.
- 25mm solid Kordura top with seamlessly integrated Inset basins.
- Cabinet features Edwardian design with Matt White paint finish or in your choice of matt paint colour[^].
- Soft-close drawers.
- Traditional handles - available in Chrome, Satin Black, Antique Bronze or Antique Pewter.
- Matches perfectly with our Burlington range.
- Pair with the English Classic mirror unit and tall cabinet.

PAINT FINISH*



Matt White

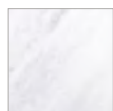


Custom Matt Paint[^]

KORDURA TOP FINISHES**



Matt White



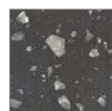
Carrera Marble**



Ice Crystal**



Peak Stone**



Black Granite**

HANDLE OPTIONS



Chrome



Satin Black



Antique Bronze



Antique Pewter

NOTES

See following page for technical drawings. *Non-stock item. [^]15% surcharge applies on custom matt paint colour, 25% for matt black. **15% surcharge applies for coloured Kordura tops. Tapholes do not come with predrilled – this is the responsibility of the installer, and can be cut with a hole saw, jigsaw or router. Excludes tapware & accessories.

English Classic

Burlington®

DESCRIPTION

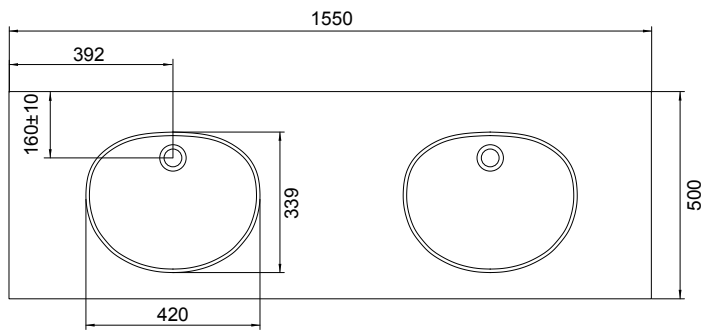
English Classic 1550 Floor Standing Vanity – 4 Drawers, Matt White

PRODUCT CODE

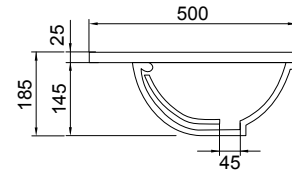
ENG1550D4DB

TECHNICAL DRAWINGS

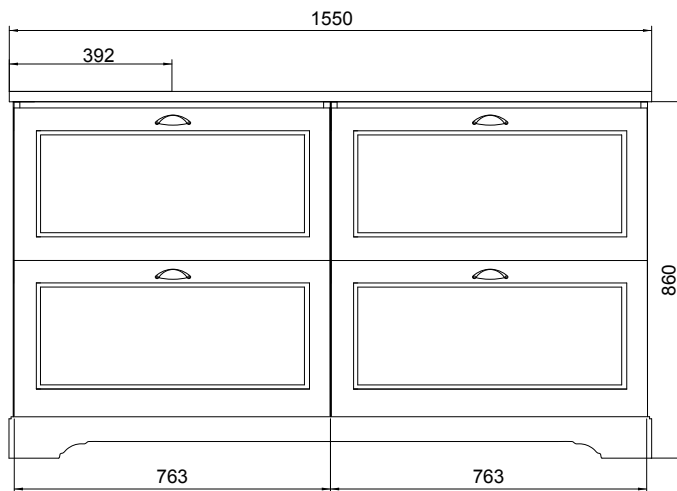
Top



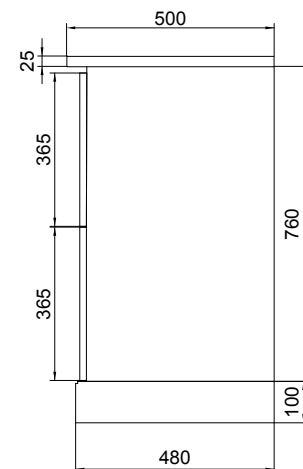
Side Section of Basin



Front



Side



NOTES

Drawing indicates the technical measurement only and is not a reflection of how the unit will look. Sizes are nominal only. All drawings in millimeters. Drawings not to scale.