

# Eden

# Burlington®

## DESCRIPTION

Eden Thermostatic Shower with Extended Rigid Riser and 6" or 9" Shower Head

## PRODUCT CODE

EF2S.EXT / V16 / V17



## FEATURES

- Dimensions - W225 x H1903 x D355 mm
- Eden Thermostatic Exposed Shower Bar Valve Two Outlet, Swivel Shower Arm, Handset & Holder with Hose with Extended Rigid Riser and 6" or 9" Shower Head
- Traditional brass body, Claremont handles, with ceramic indices
- Adjustable wall bracket, 1500mm shower hose, and handset with ceramic handle
- 18mm diameter vertical brass shower riser
- 355mm adjustable swivel shower arm
- Shower head has anti-limescale silicon nipples.
- Large bore shower hose (11mm)
- Hot & cold inlet 15mm

## NOTES

Please see next page for technical drawings.

\*Non-stock item. Excludes accessories.

**MICHEL CÉSAR**  
**VCBC**  
**BURLINGTON**  
**LAUNDRY**

/ WHERE BATHROOMS  
& LAUNDRIES  
COME TOGETHER  
BEAUTIFULLY /

info@smail.co.nz  
bathco.co.nz

4-8 Ace Place  
Kingsland  
Auckland 1021  
New Zealand

P +64 9 309 9109  
F +64 9 309 9343

86 Wigram Road  
P.O. Box 8644  
Christchurch 8025  
New Zealand

P +64 3 343 0969  
F +64 3 343 0967

**BATH/**  
**CO/**

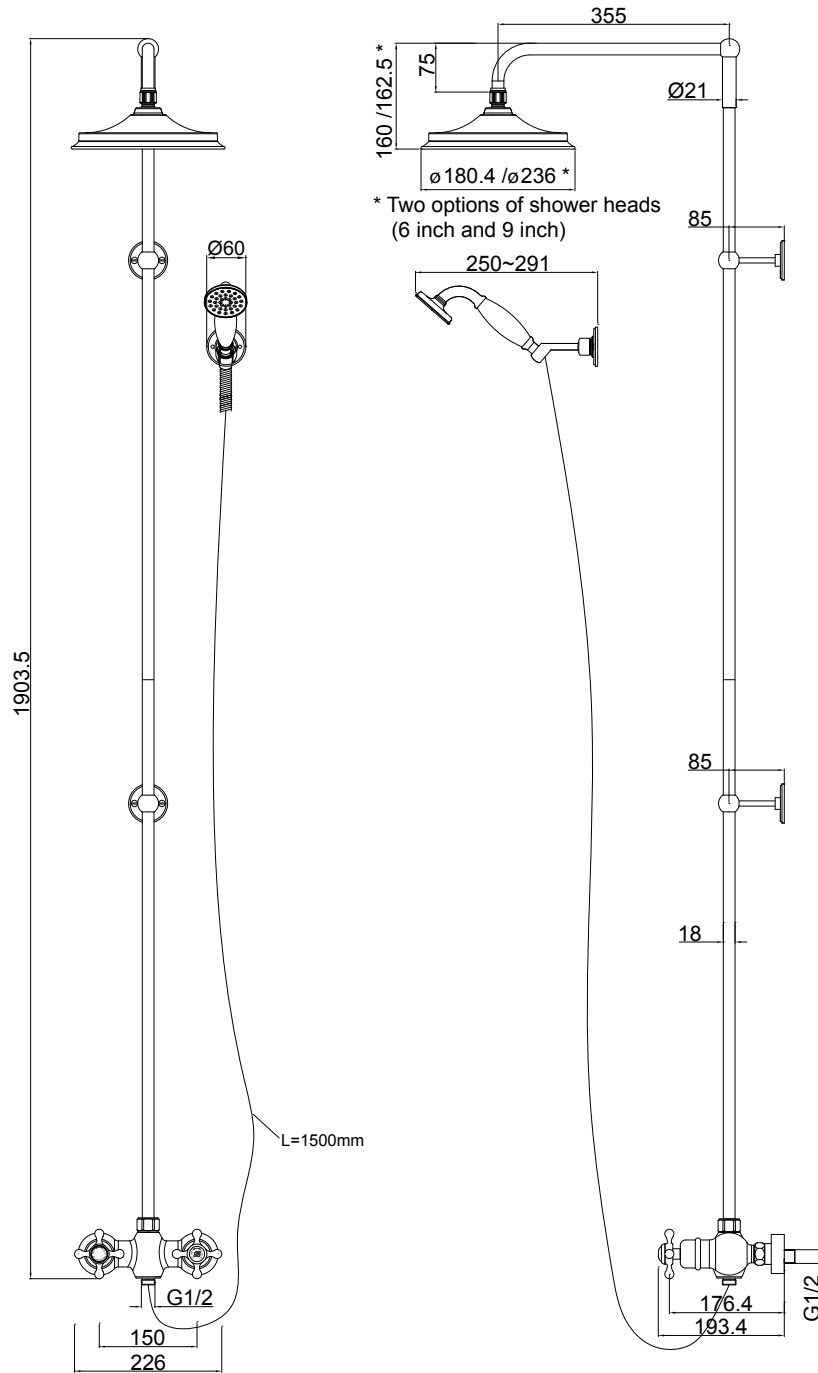
DESCRIPTION

Eden Thermostatic Shower with Extended Rigid Riser and 6" or 9" Shower Head

PRODUCT CODE

EF2S.EXT / V16 / V17

TECHNICAL DRAWINGS



NOTES

Drawing indicates the technical measurement only and is not a reflection of how the unit will look. Sizes are nominal only. All drawings in millimeters. Drawings not to scale.