

## DESCRIPTION

450 Top Cabinet

## PRODUCT CODE

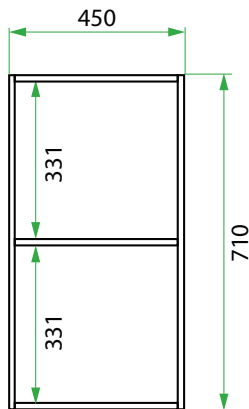
LTTENG45 / LTTENG45CC



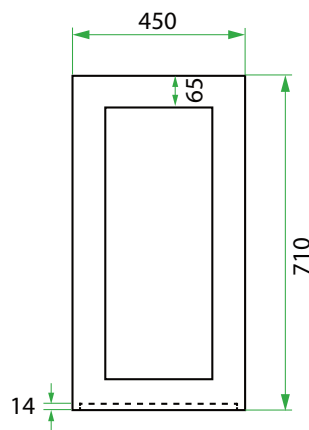
|                   |  |
|-------------------|--|
| <b>Dimensions</b> | W 450 x H 710 x D 304 (mm)   |
| <b>Finishes</b>   | Matte English White or Matte Custom Colour Paint*  |
| <b>Handle</b>     | Handleless (Finger pull)   |
| <b>Origin</b>     | New Zealand made cabinetry   |
| <b>Features</b>   | 1 Internal shelf for organised storage. Signature English Classic routed design on front and matte painted finish. See website for finish colours. |

## TECHNICAL DRAWINGS

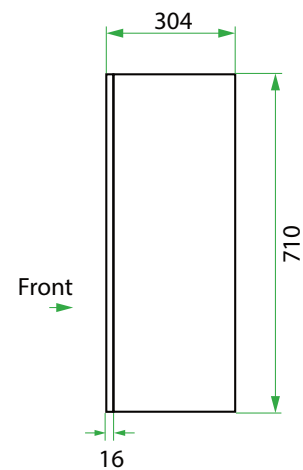
Inside



Front



Side



## NOTES

\*Additional Cost. Accessories not included. See our website for product prices. Drawing indicates the technical measurement only and is not a reflection of how the product will look. Sizes are nominal only. All drawings in millimeters. Drawings not to scale. June 2023.