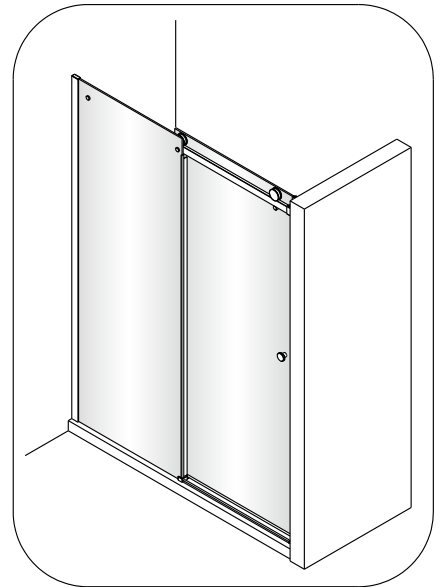
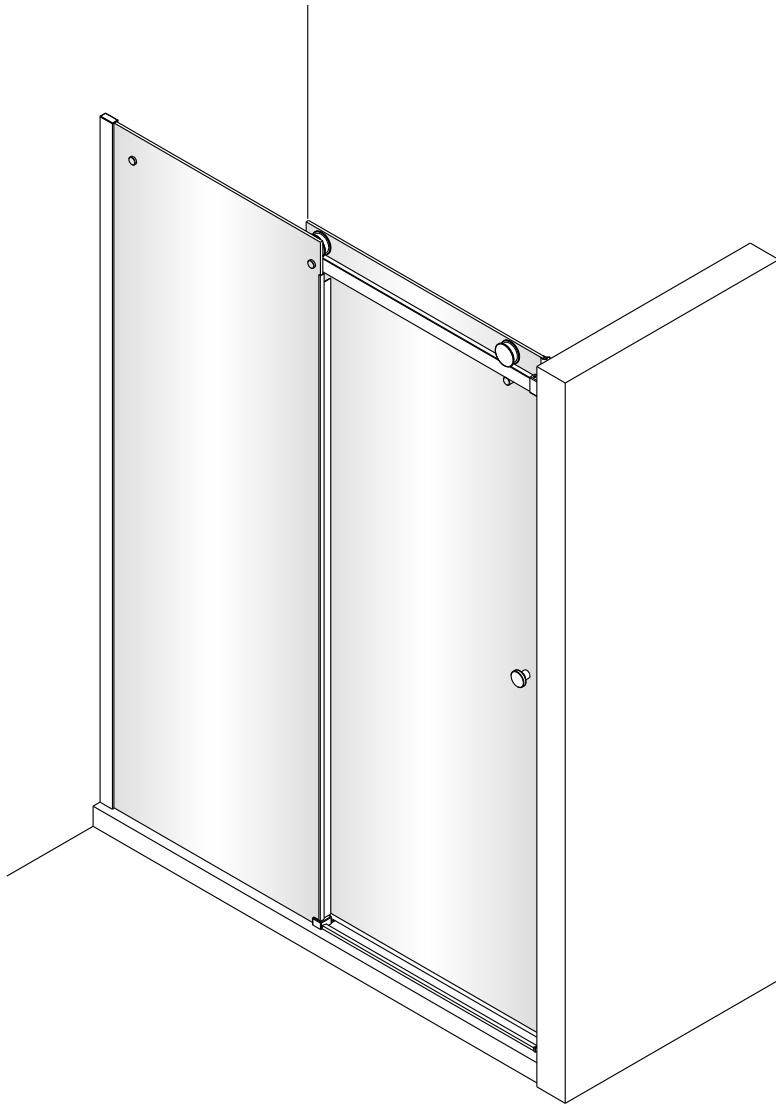
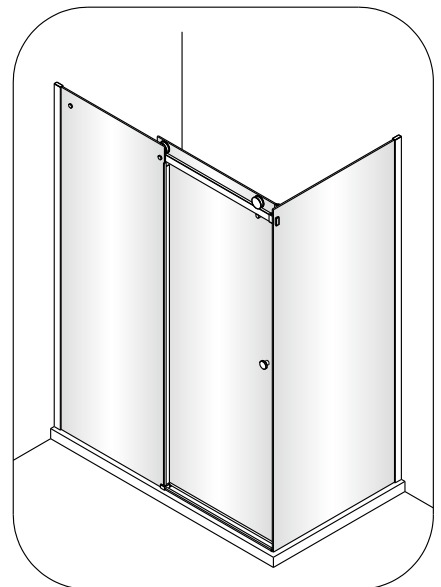


INSTRUCTION

1200/1400/1600/1700 Slider Single Door
800/900/1000 Side Panel



SLIDER DOOR IN ALCOVE



SLIDER DOOR & SIDE PANEL

INSTALLATION INSTRUCTIONS

IMPORTANT - Please read before installation

Please read these instructions carefully before starting installation and keep in a safe place for future reference.

Check the contents of the pack carefully before installation. Smail will not be held responsible for any de-fit / re-fit costs where faulty product has been fitted.

If any fault is found with materials or workmanship, it must be reported immediately to the manufacturer. Remedial action will be taken, based on information received, on condition that:

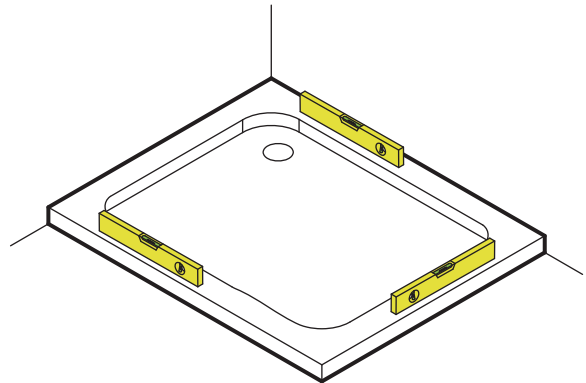
1. Full details are supplied to the manufacturer;
2. The enclosure has not been modified or tampered with;
3. The manufacturer is informed of any damage/shortages prior to installation.

We do not accept responsibility for any problems that may occur through incorrect installation.

The success of the installation and operation of any shower enclosure is, of course, dependant on the squareness, alignment and construction of the walls to which fixing is to be carried out.

VERY IMPORTANT

You must complete all tiling and grouting, and the shower tray **MUST** be level and fully sealed to the tiles before installation. If you do not fit the enclosure onto a tiled surface, or seal the tiles to the tray before installation, water may soak into the wall behind the wall profiles.



INSTALLATION - Advice and safety

The installation instructions are based on typical use and conditions.

These products come with the two wall channels pushed onto each side of the glass panel frame.

These hints have been prepared for your guidance, you must exercise due care at all times.

For Health and Safety 2 people must carry out the installation of this enclosure.

Handle glass with care. Although the glass supplied is toughened safety glass, impacts can damage both the glass and the frame.

Warning!

Please check for any hidden pipes or cables before drilling holes in the wall.

To stop the drill bit slipping, masking tape can be applied to the tiles when preparing the holes.

When using power tools always follow the manufacturers user instructions.

Do not sit the enclosure on a bed of silicone, as this will also stop any water from draining back into the tray.

If the enclosure is sealed to the tray on the inside, any water that may get into the framework will not be able to drain back into the tray, this may cause the enclosure to leak.

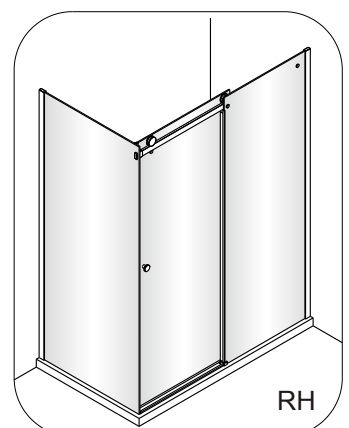
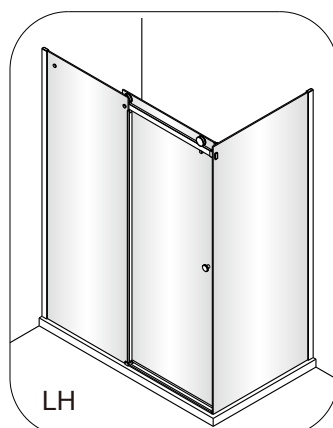
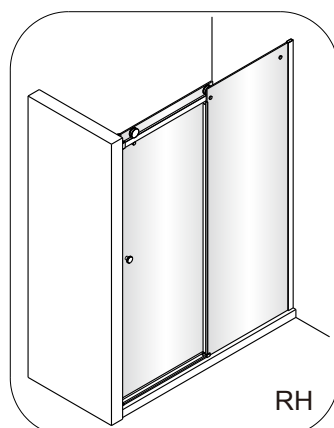
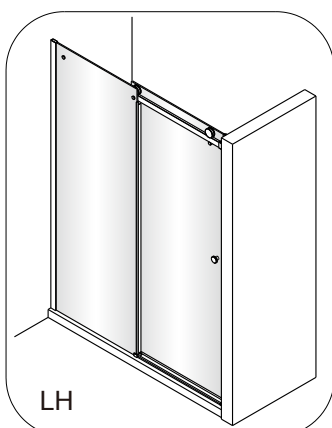
Leave the silicone sealant to dry for 24 hours before using the enclosure.

CARE AND CLEANING

Do not use solvents or abrasive material or chemicals to clean the enclosure.

Only clean using soapy water and a soft cloth, rinse thoroughly afterwards.

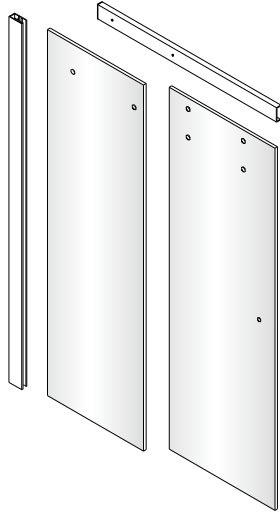
INSTALLATION



CONTENTS

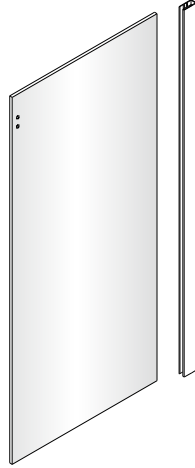
SLIDING DOOR



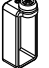
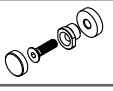



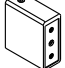

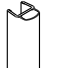

See pages 3 - 11

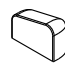
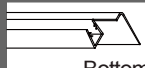
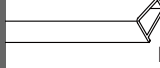
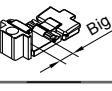
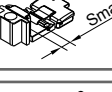
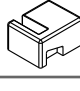
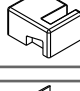
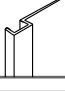

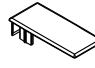
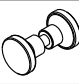








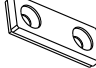





SIDE PANEL

See pages 12 - 20



- A  ST4X40mm Screw x 3
- B  Wall Plug x 4
- C  Pipe Sleeve x 1
- D  Connector x 2
- E  Roller 1 x 2
- F  Roller 2 Connector x 2
- G  ST5X30mm Screw x 1
- H  Wall Bracket x 1
- I  Waterproof Strip x 1
- J  Waterproof Strip x 1
- K-1  End Part LH x 1

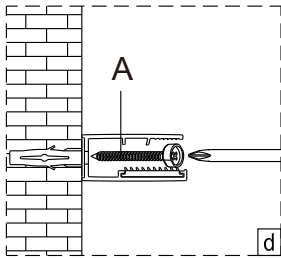
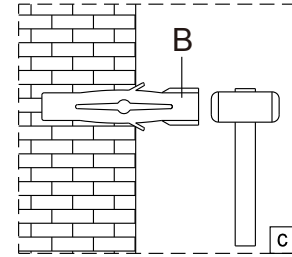
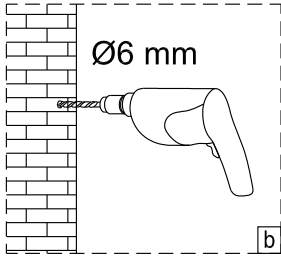
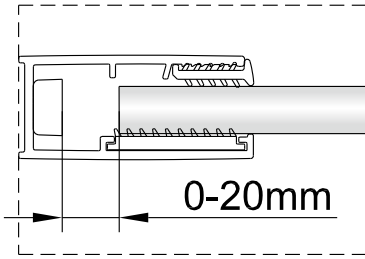
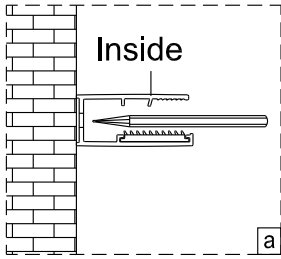
- K-2  End Part RH x 1
- L  Bottom Waterproof Strip x 1
- M  Breakwater Bar x 1
- N-1  Guide Block x 1
- N-2  Guide Block x 1
- O-1  Cover LH x 1
- O-2  Cover RH x 1
- P  Waterproof Strip x 1
- Q  Wall Frame Sealing Strip x 1
- R  Cap x 1
- S  Handle x 1

- A  ST4X40mm Screw x 3
- B  Wall Plug x 3
- Q  Wall Frame Sealing Strip x 1
- R  Cap x 1
- AA  Gasket x 1
- AB  Tube Washer x 2
- AC  Metal Plate x 1
- AD  M5 X18mm Nut x 2
- AE  Cover x 1
- T  4mm Allen Key x 2
- U  3mm Allen Key x 1
- V  2mm Allen Key x 1
- W  Spanner x 1

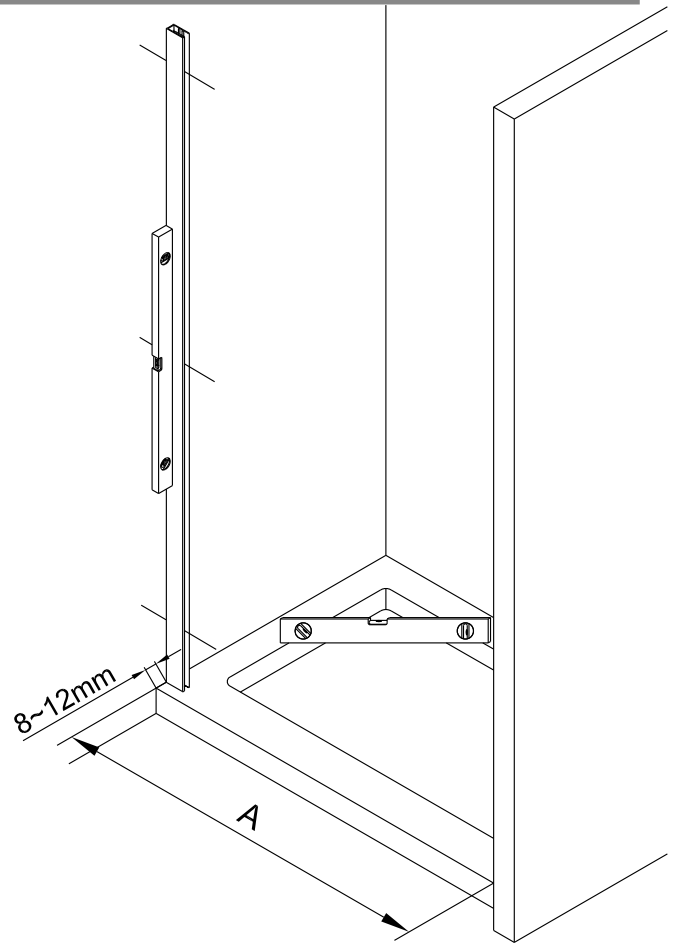
Tools and equipment needed

Drill, 6mm Masonry drill bit, Cross Philips screwdriver, Slotted Philips screwdriver, Spirit level, Pencil, Tape measure, Knife, Silicone sealant, Wood, Rubber Mallet, Scissors, Fine Tooth Saw.

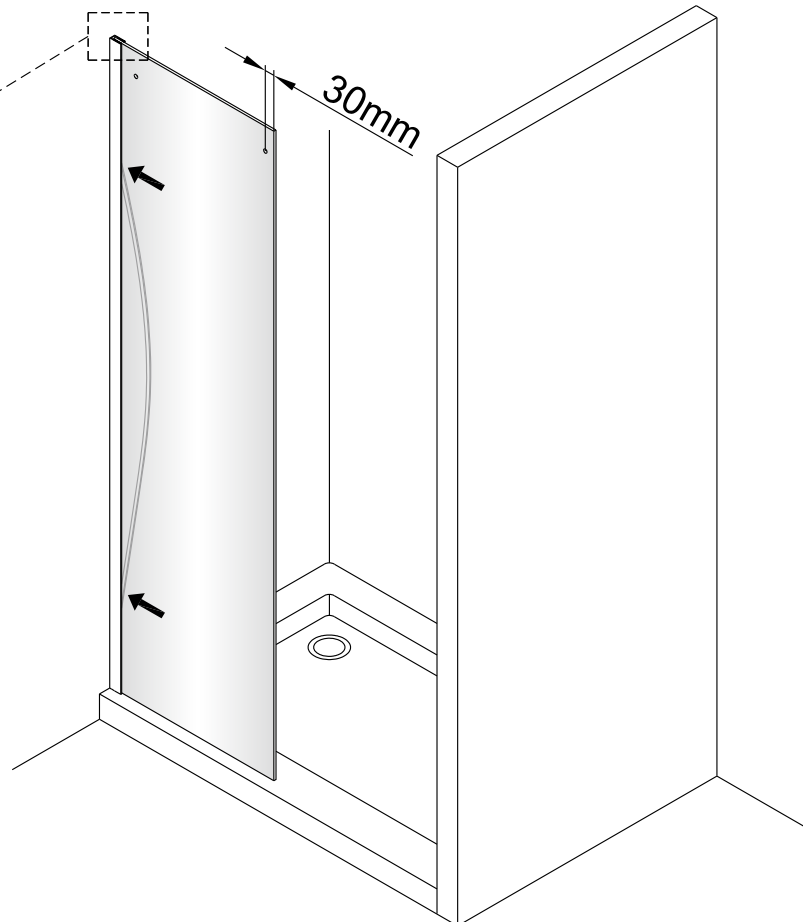
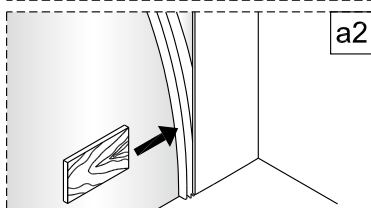
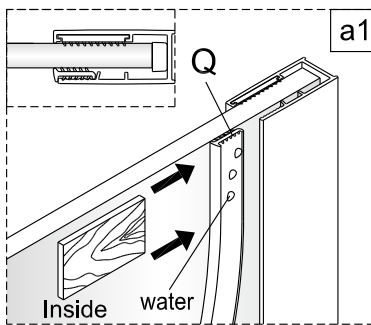
Step 1



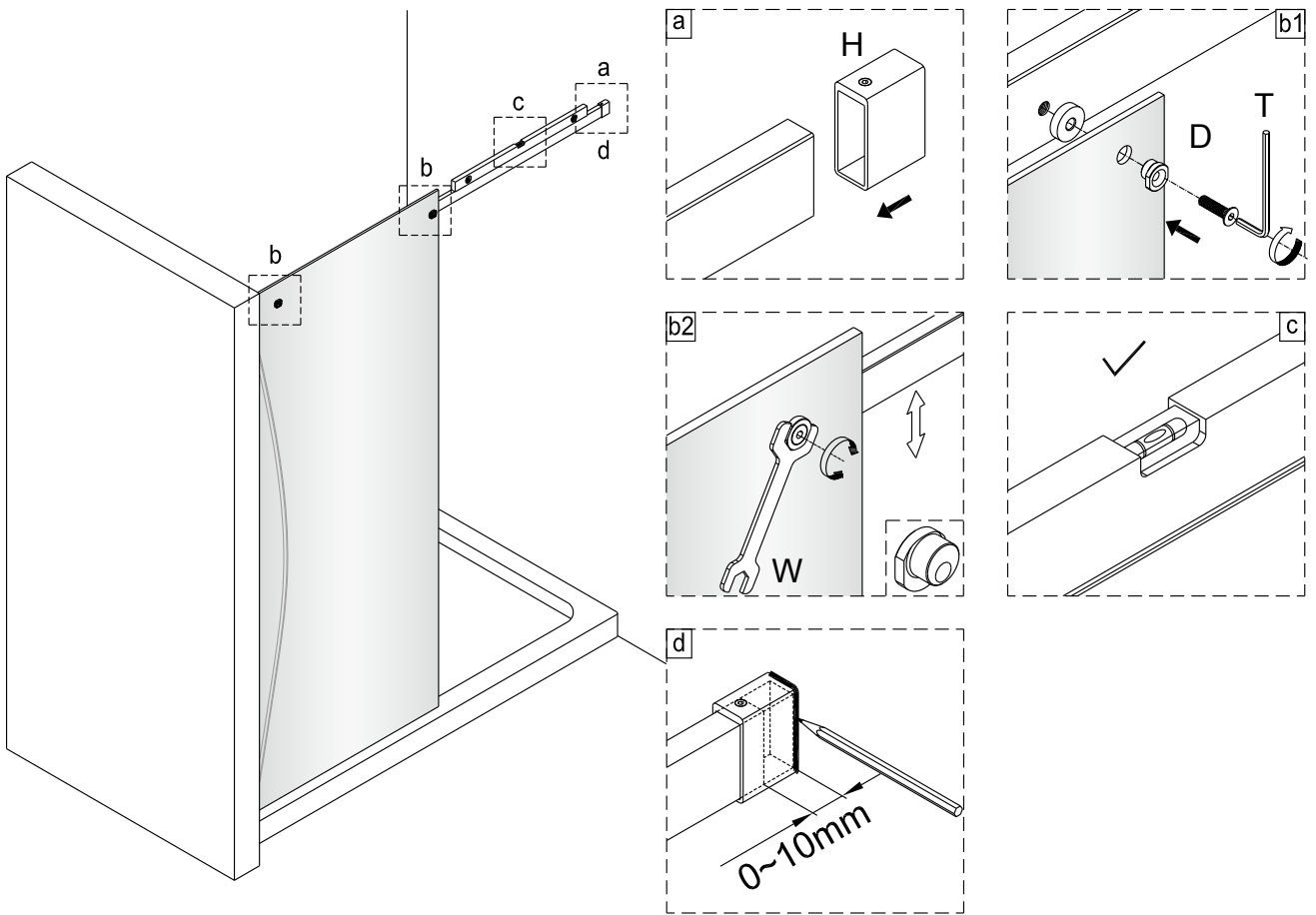
	A(mm)
1200	1160~1190
1400	1360~1390
1600	1560~1590
1700	1660~1690



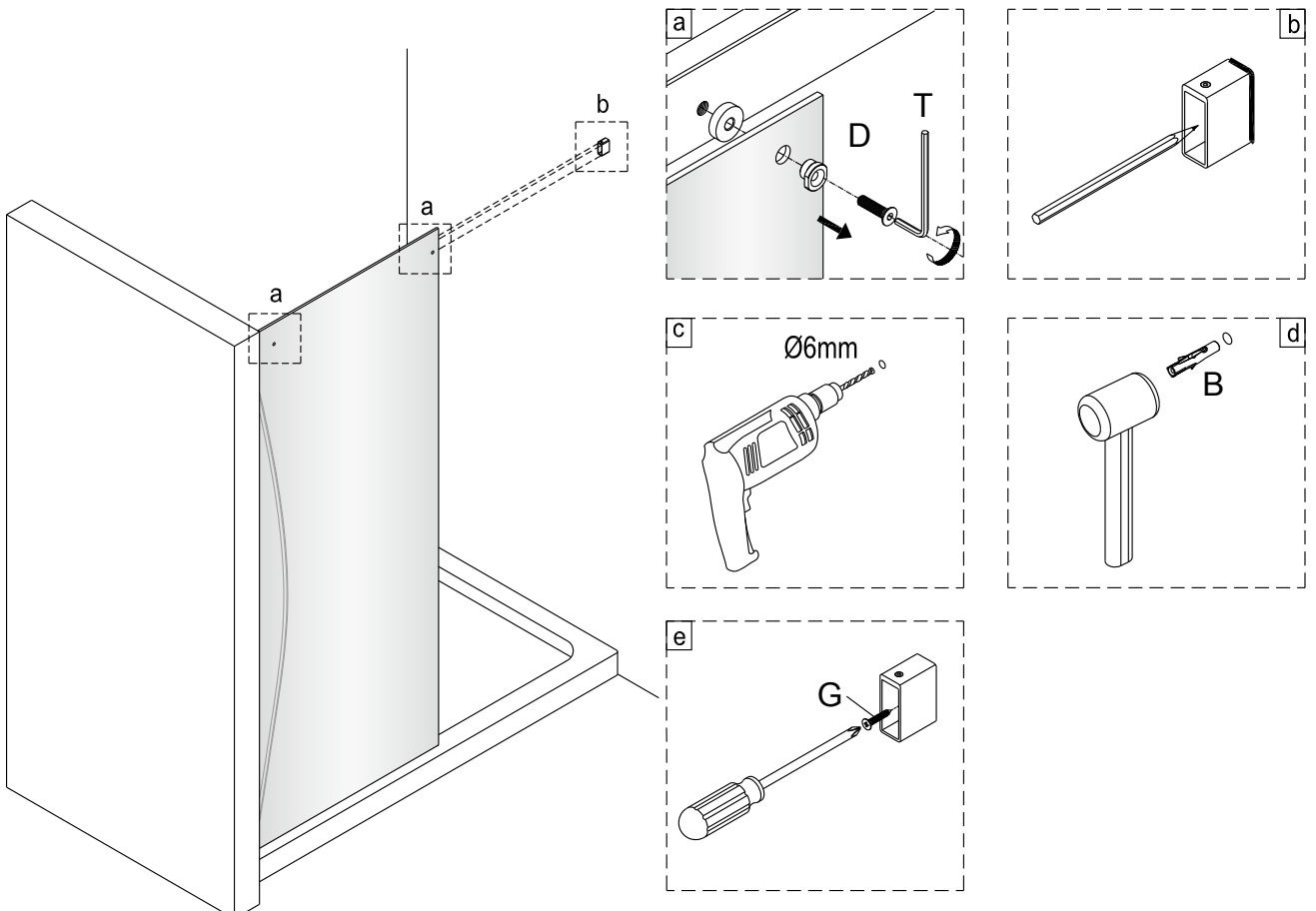
Step 2



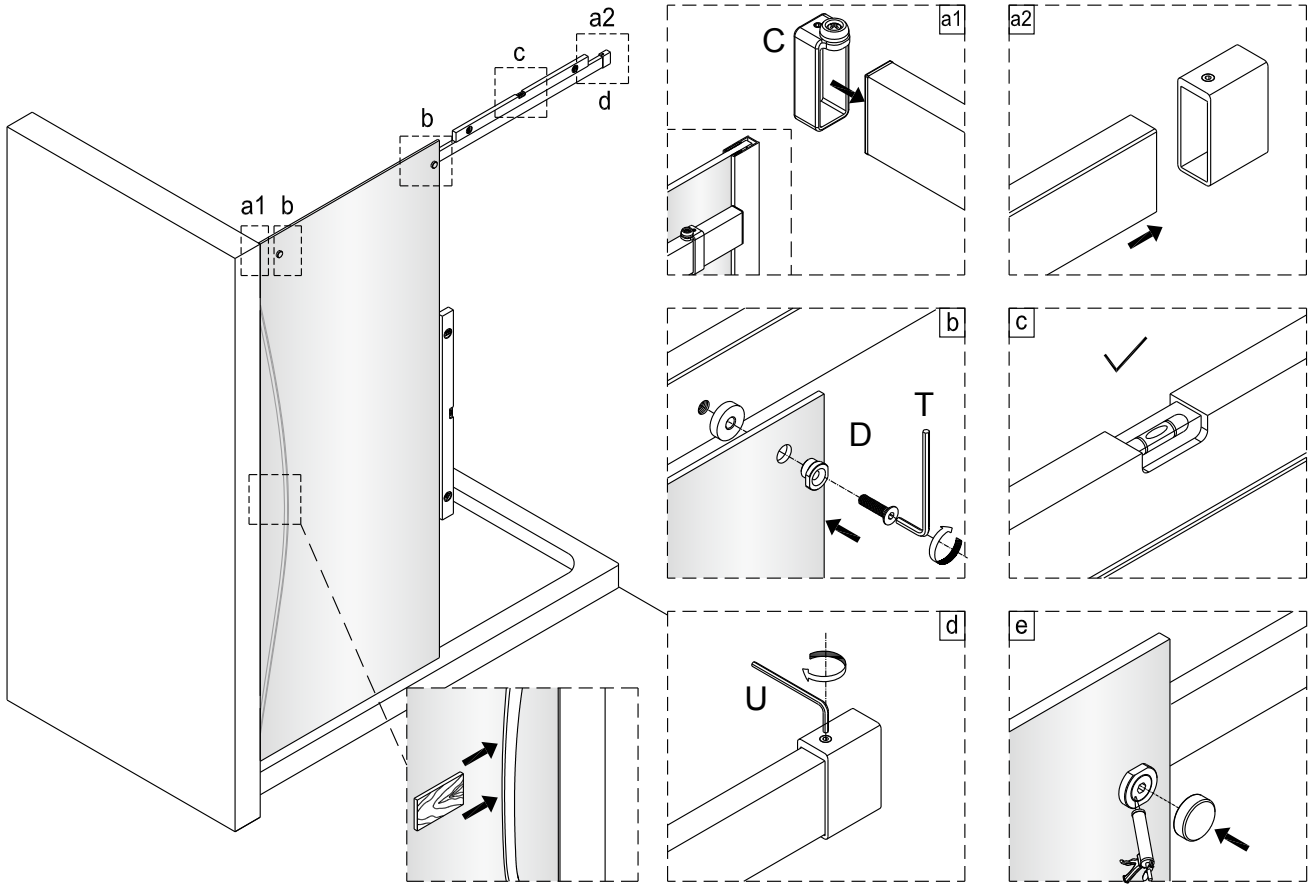
Step 3



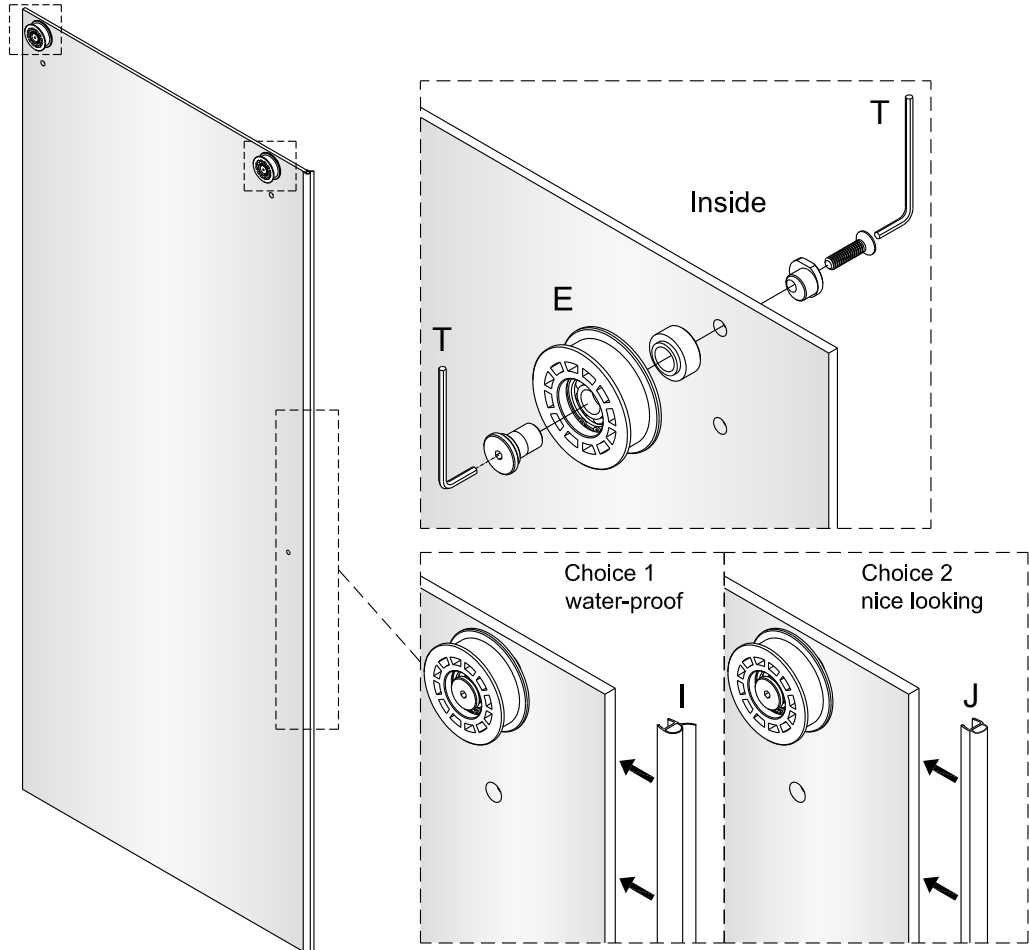
Step 4

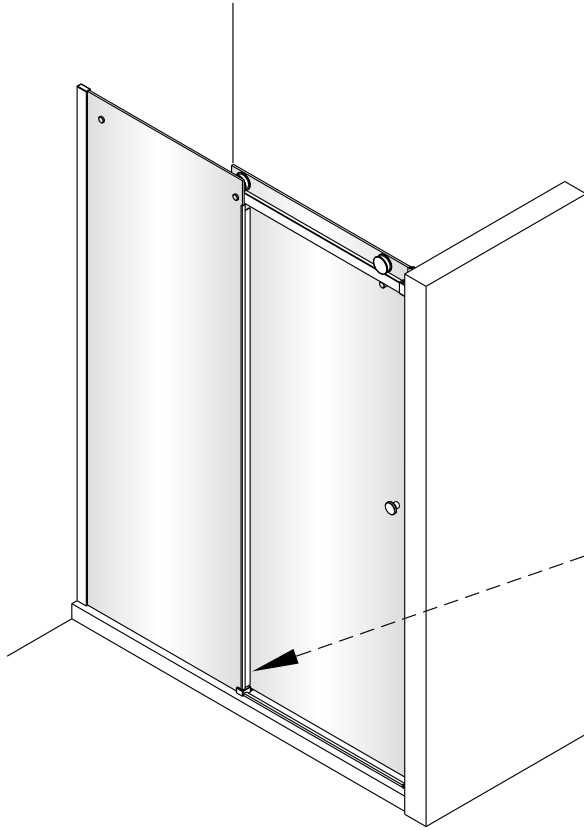


Step 5



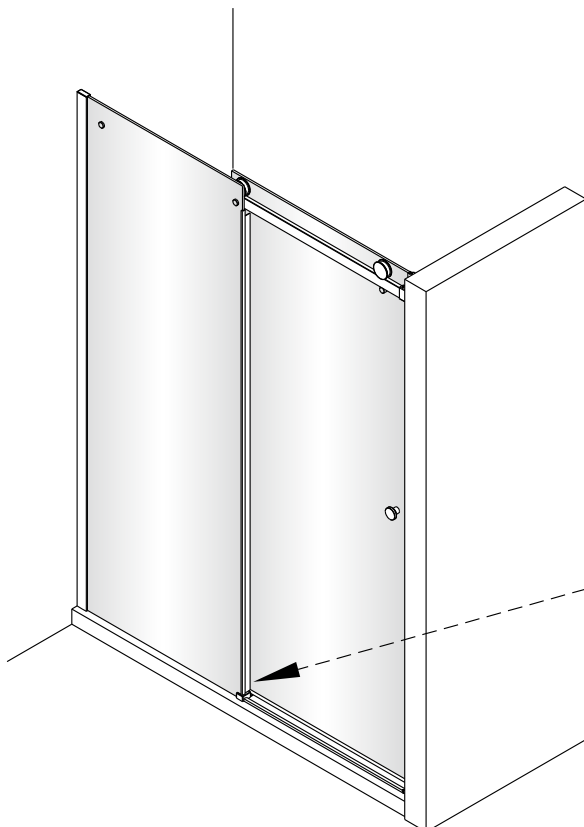
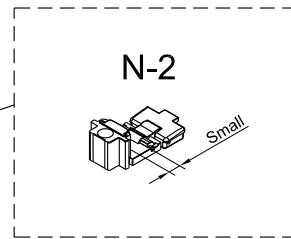
Step 6





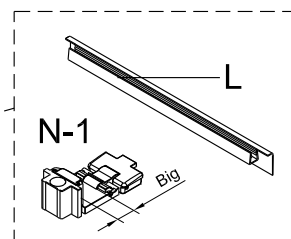
When the waterproof strip is not required at the bottom of the sliding glass panel, please follow step 7 and 8 and then go to step 12.

P7 → P8 → P12

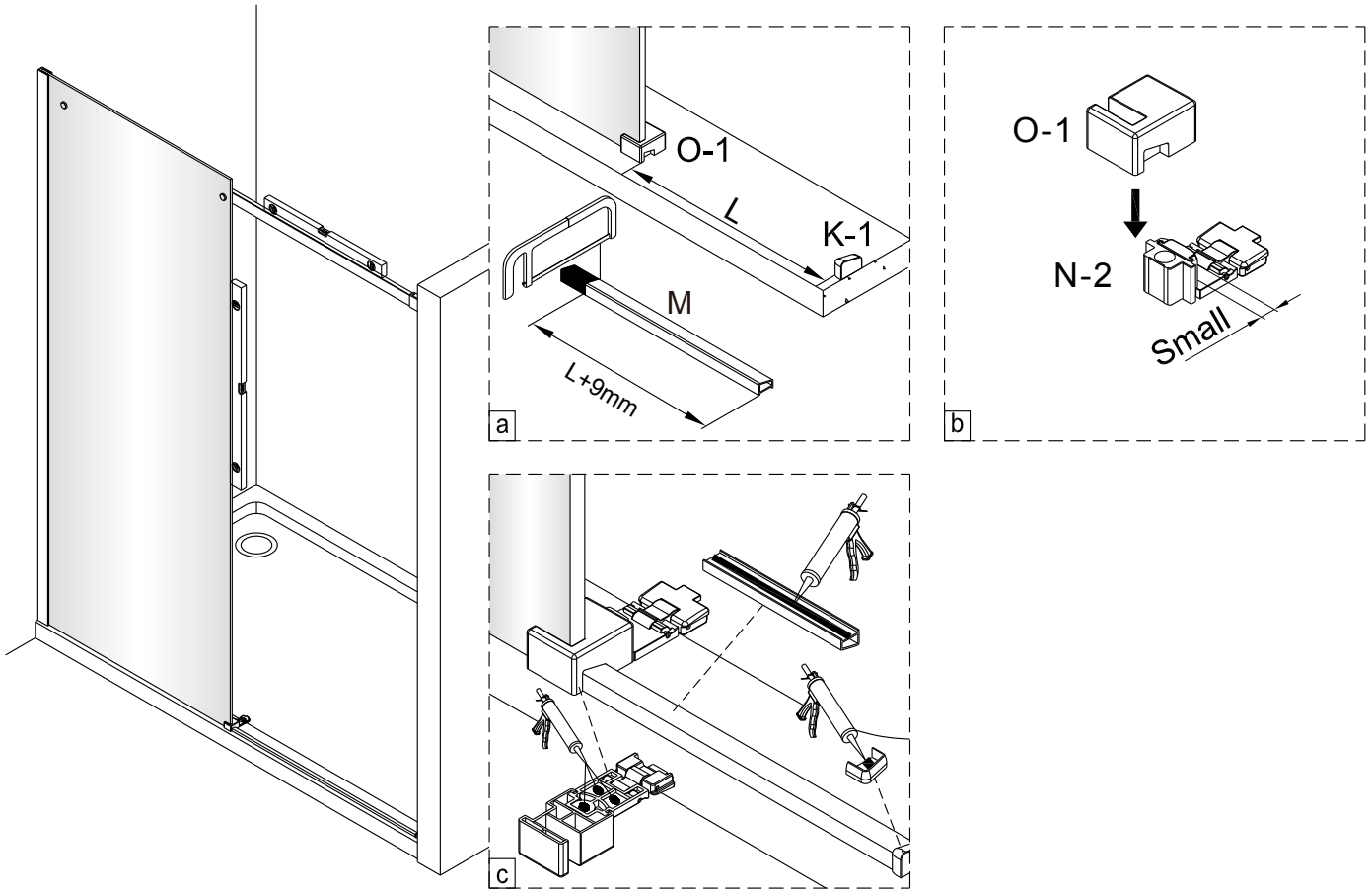


When the waterproof strip is required at the bottom of the sliding glass panel, please skip to step 9.

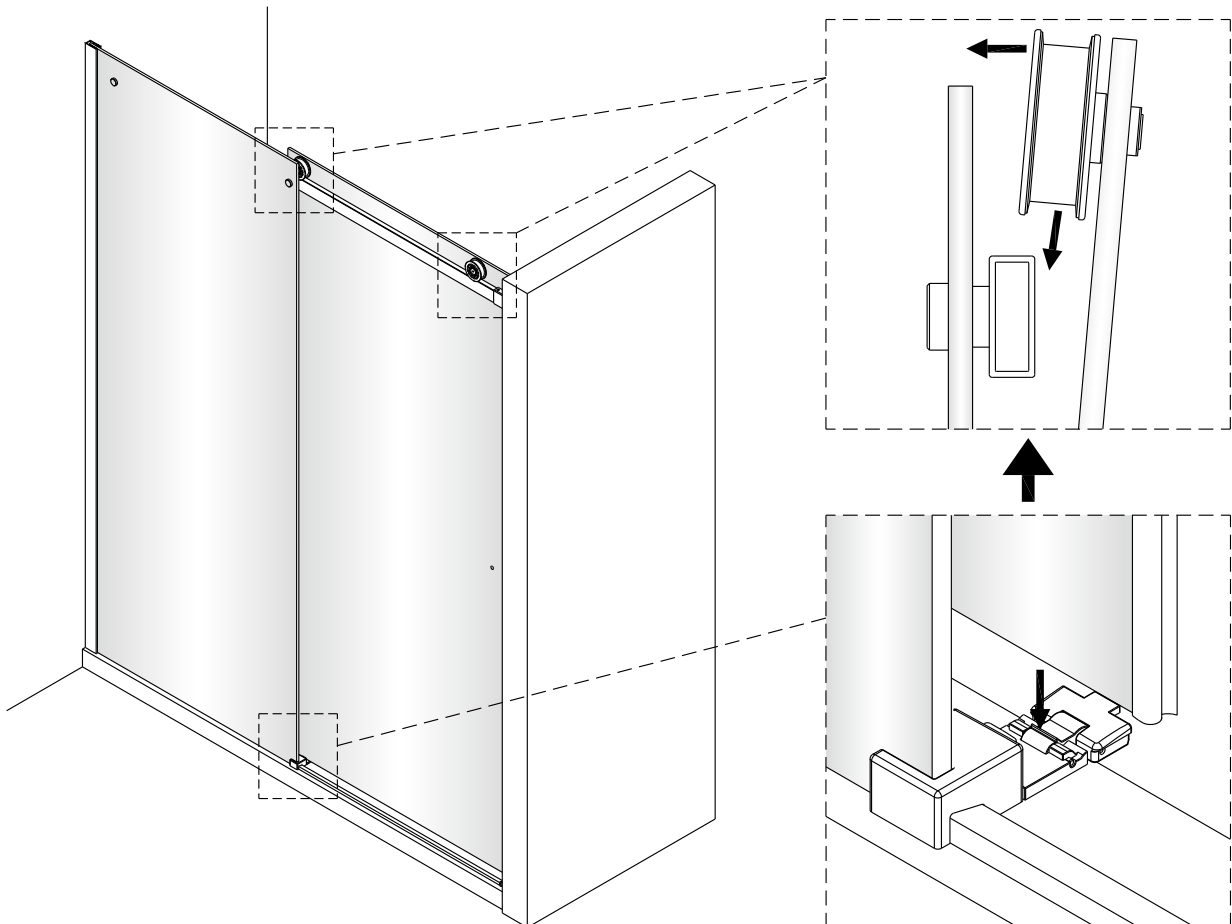
P9 → P16



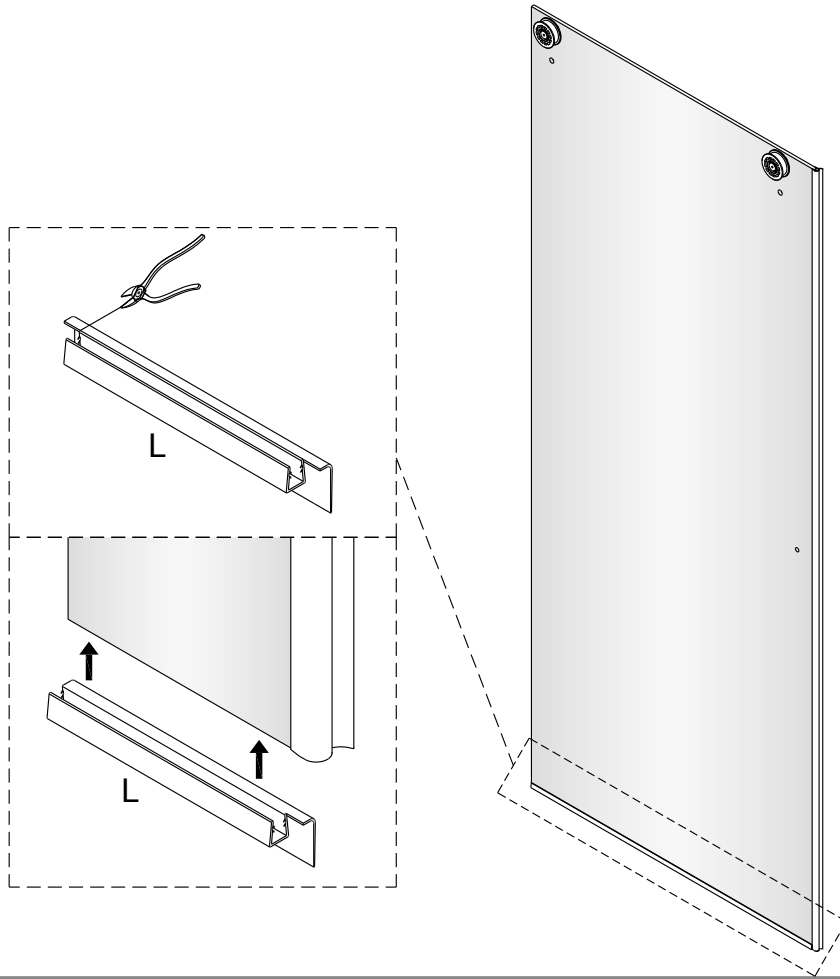
Step 7



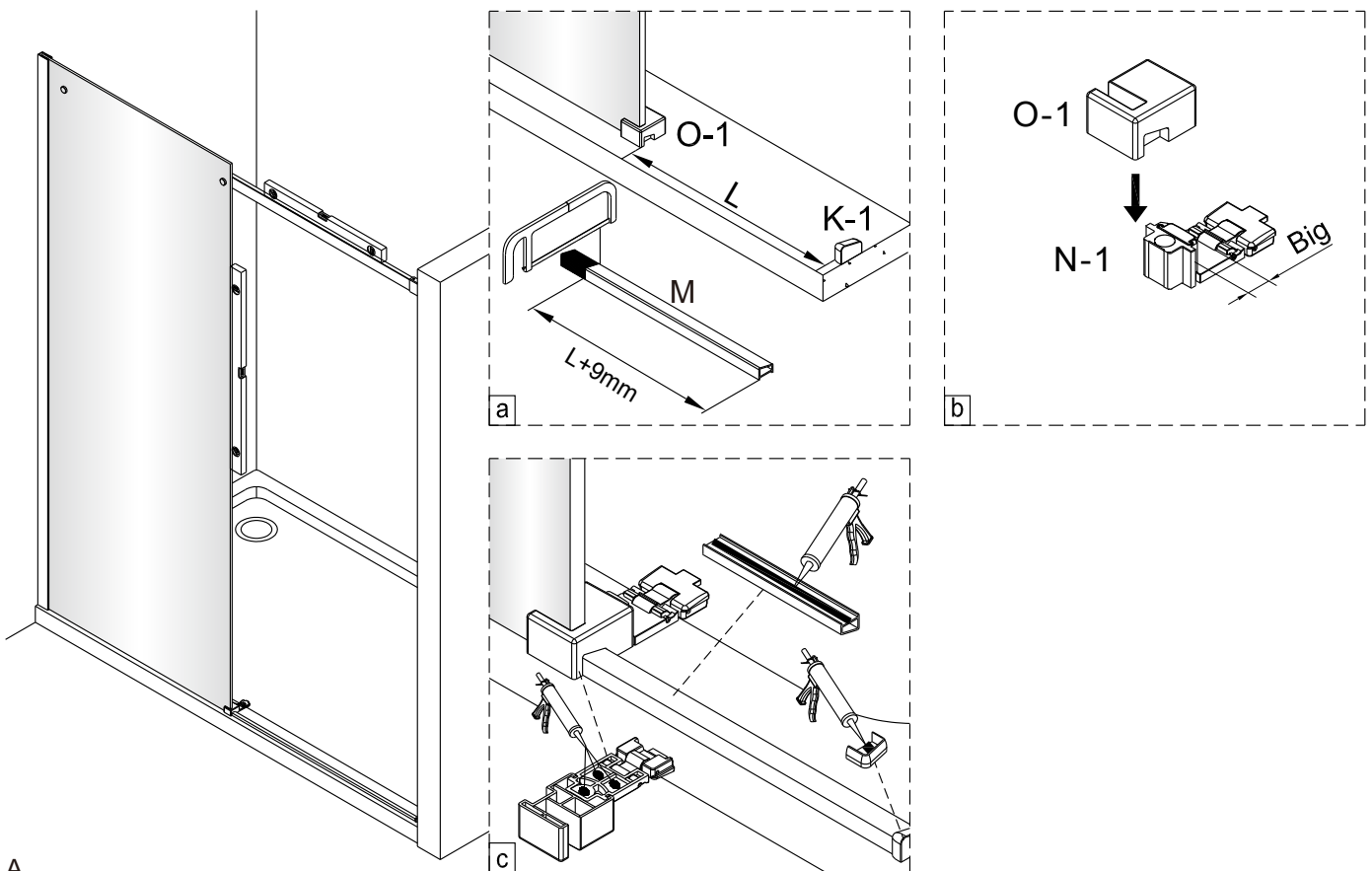
Step 8



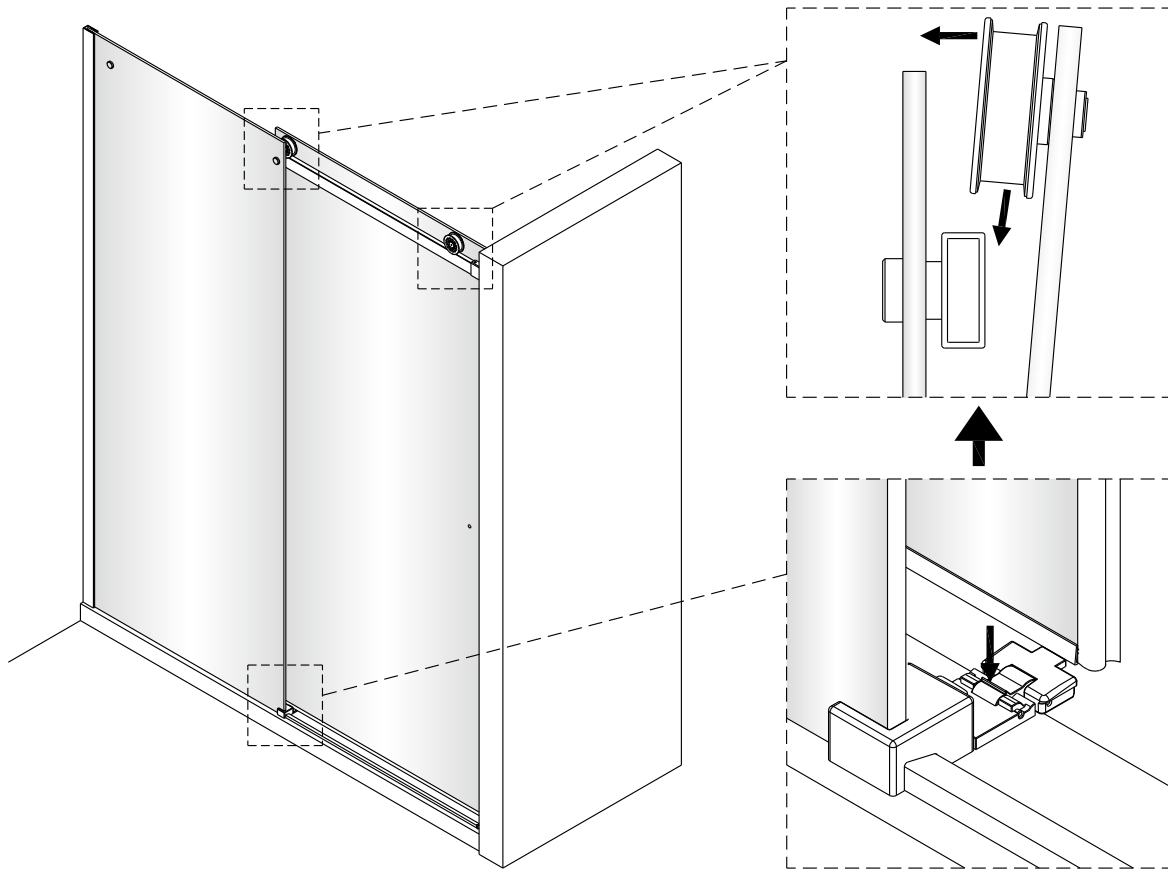
Step 9



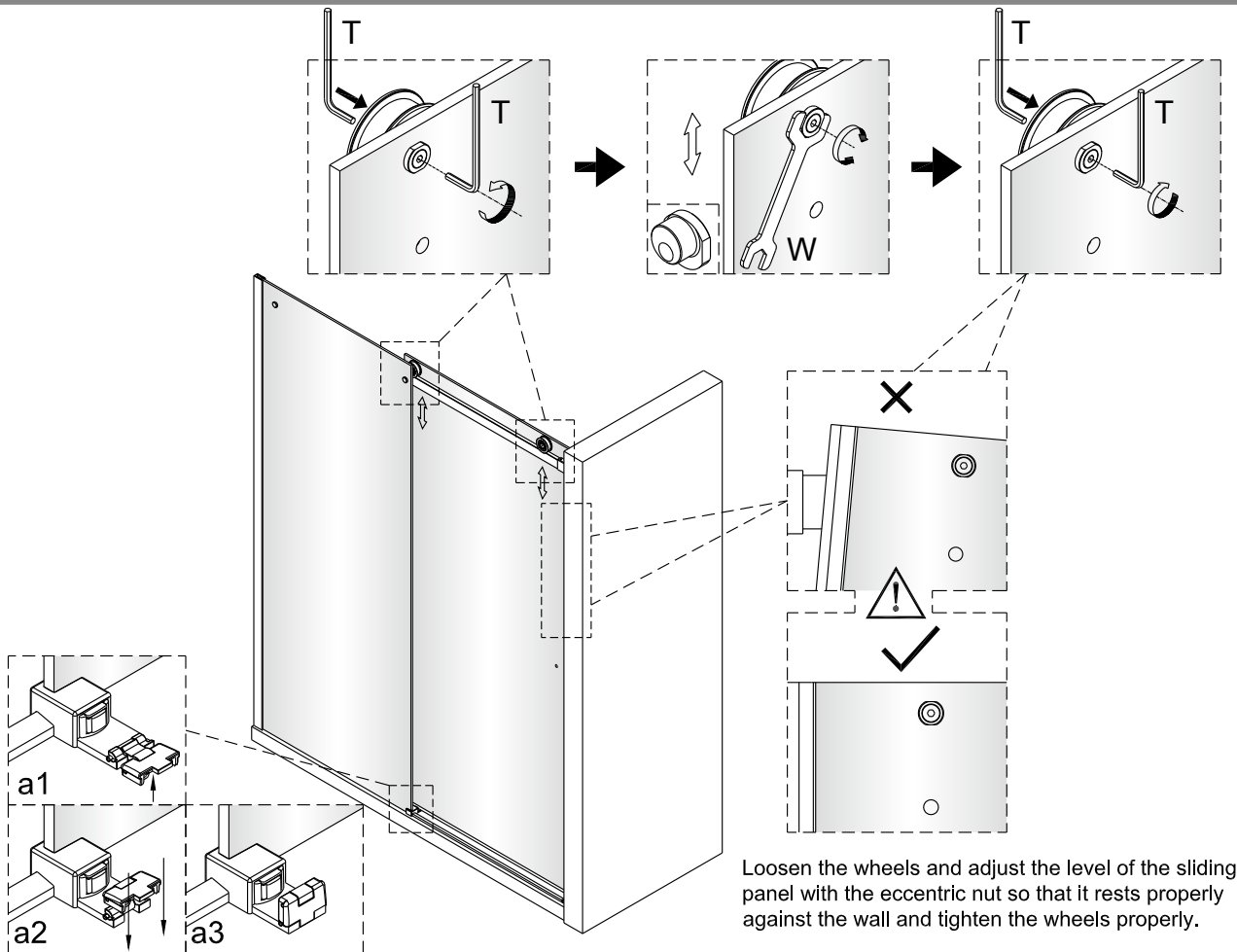
Step 10



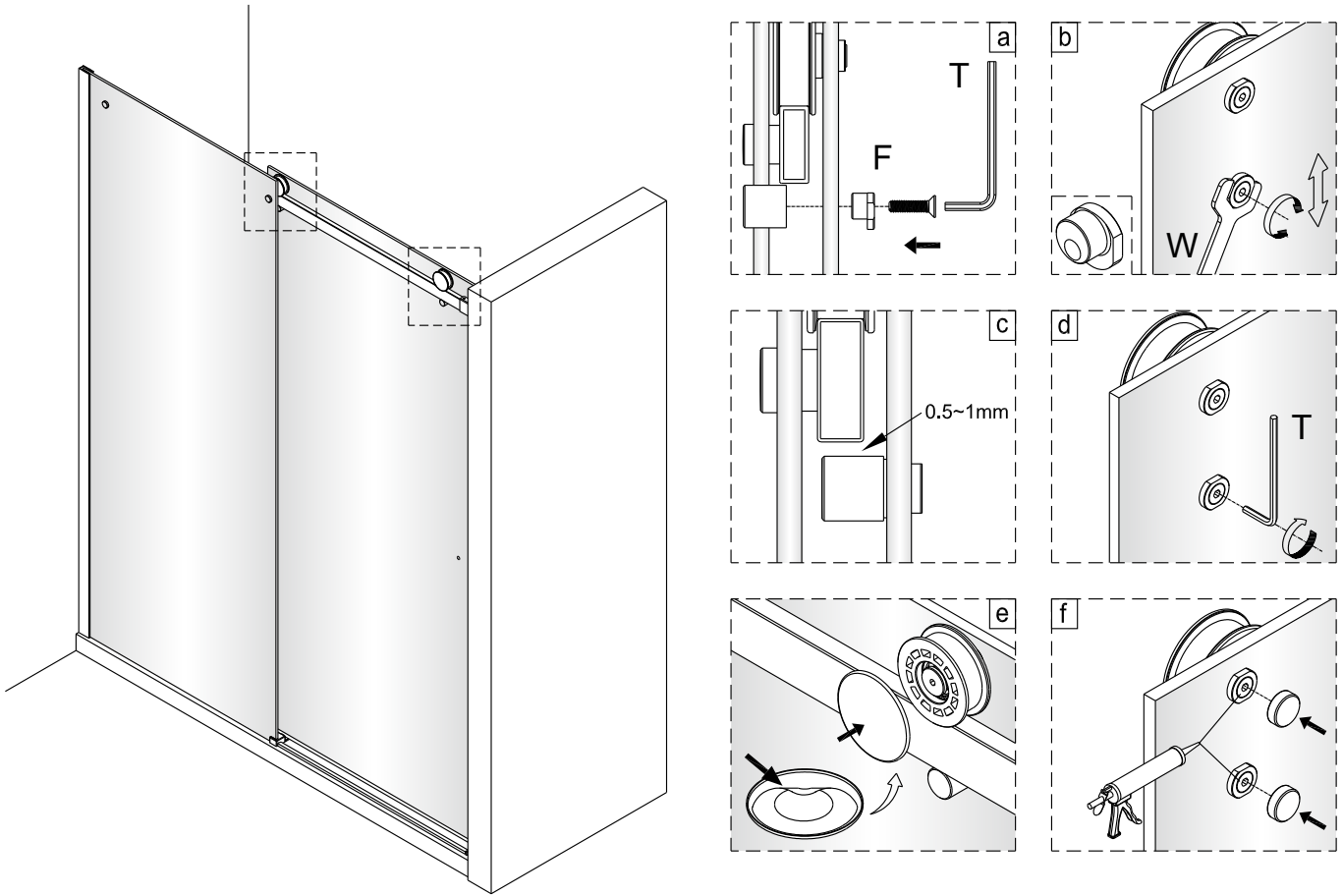
Step 11



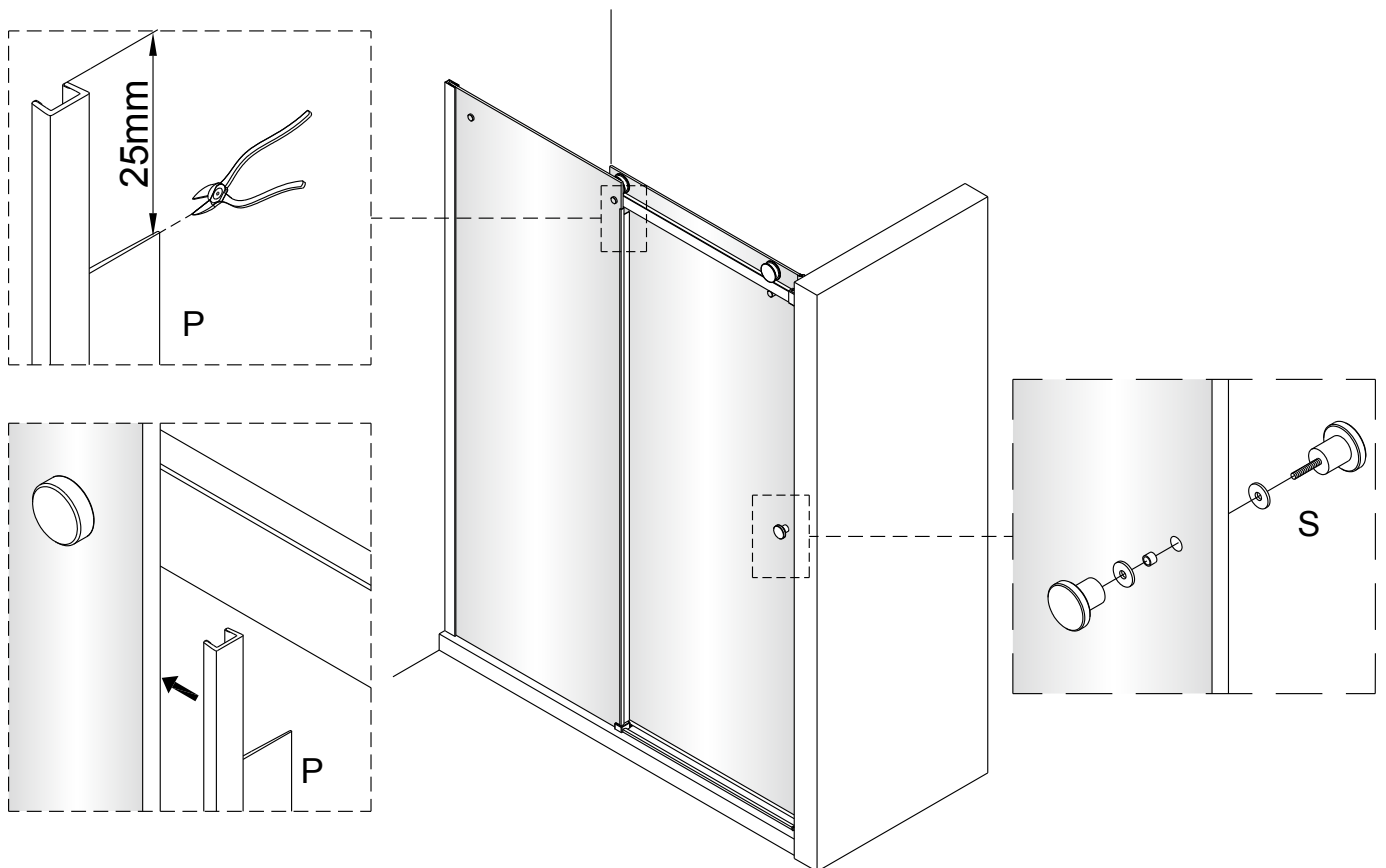
Step 12



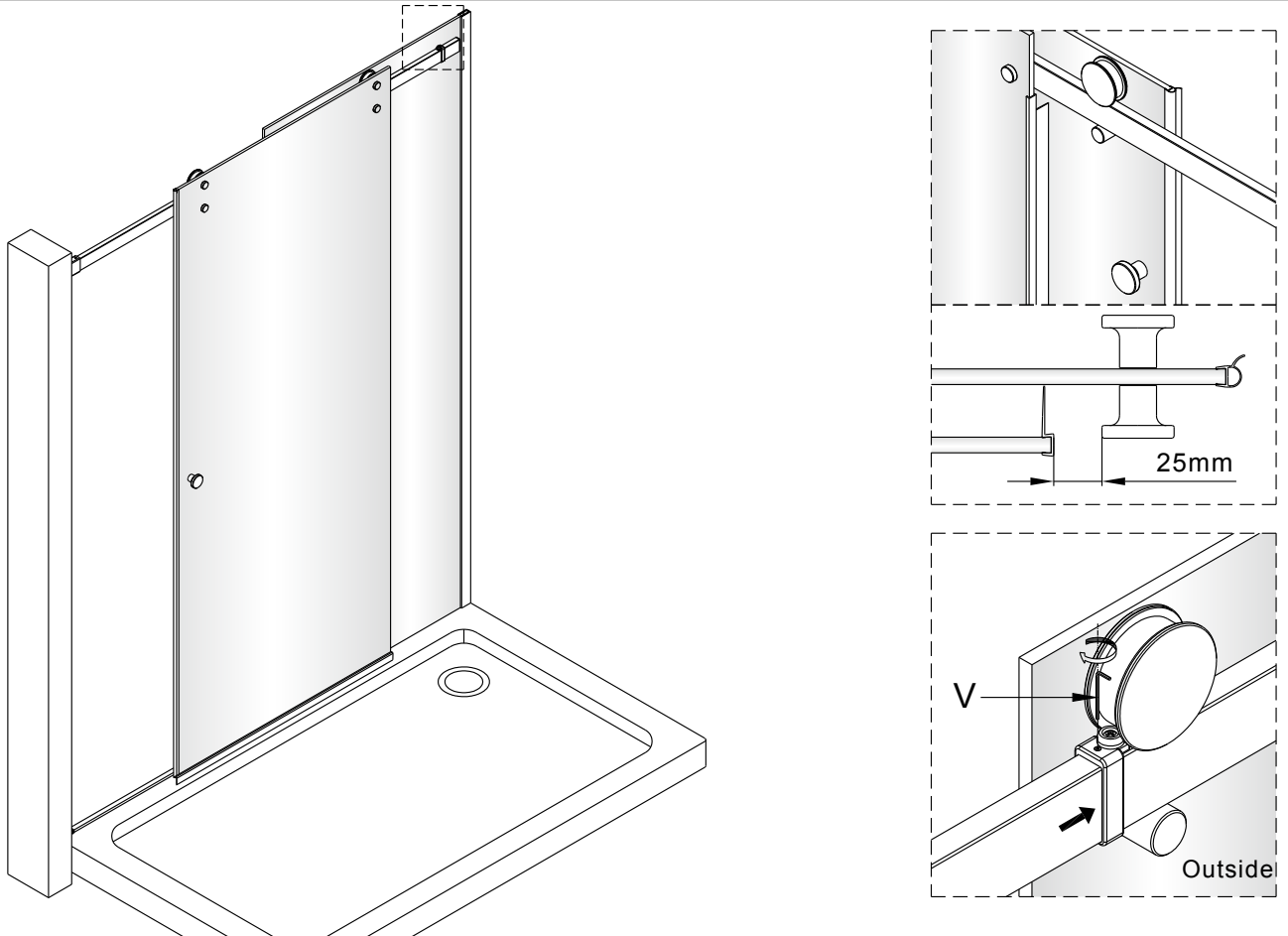
Step 13



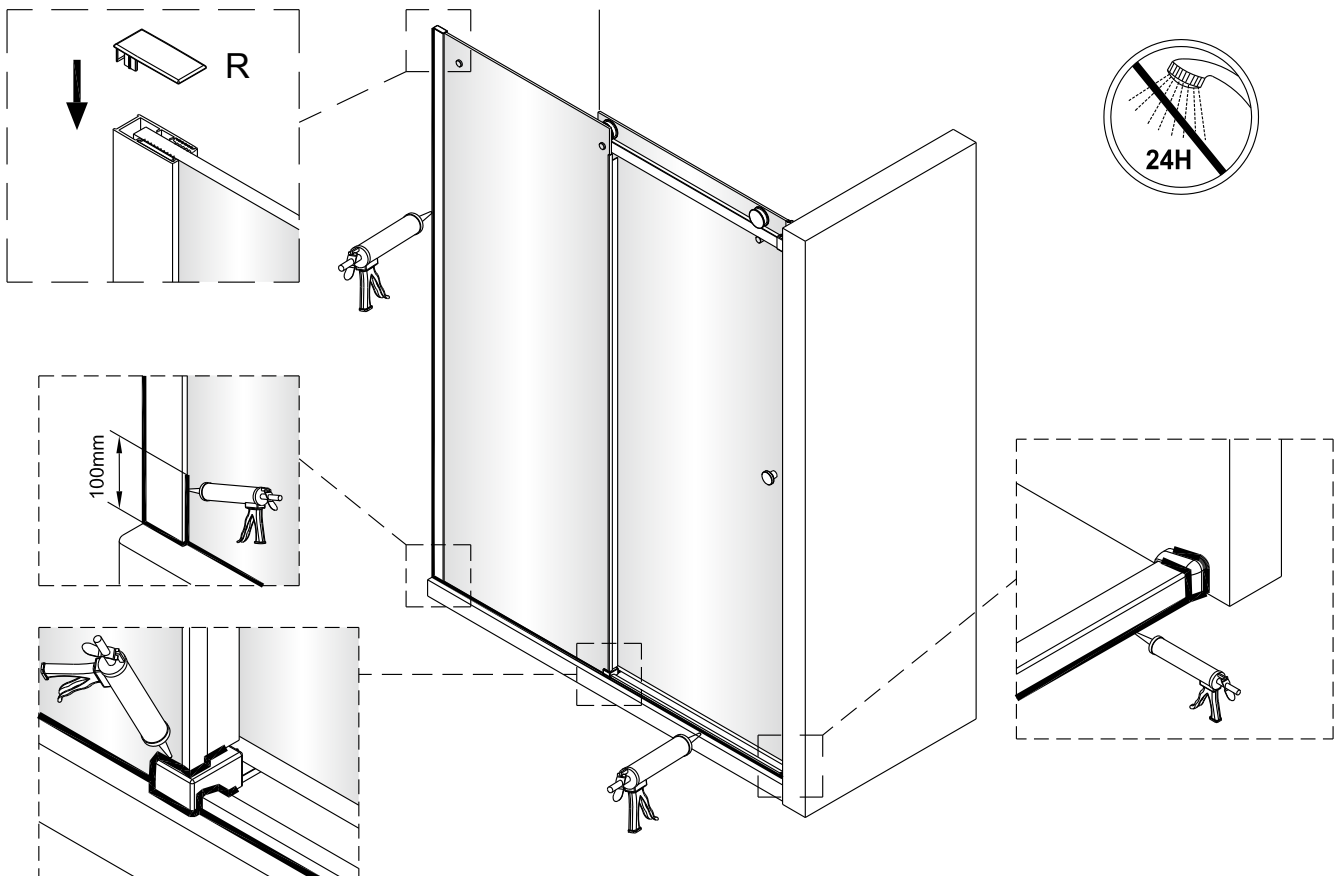
Step 14



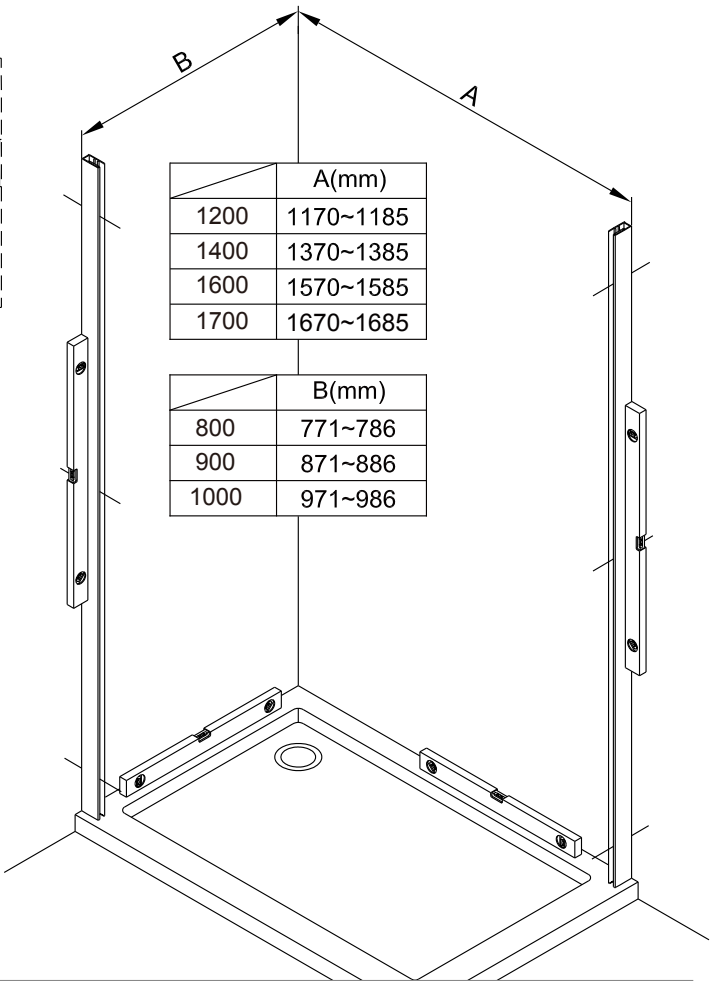
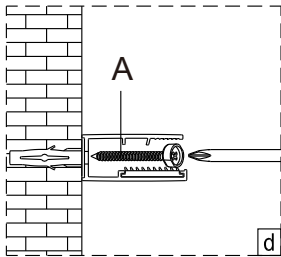
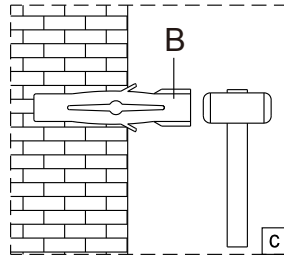
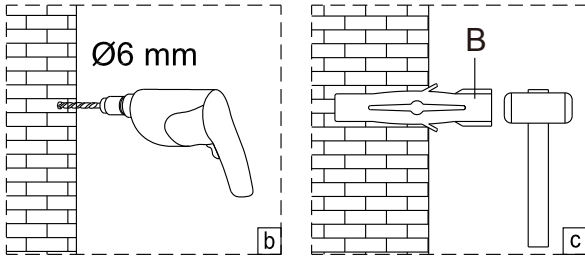
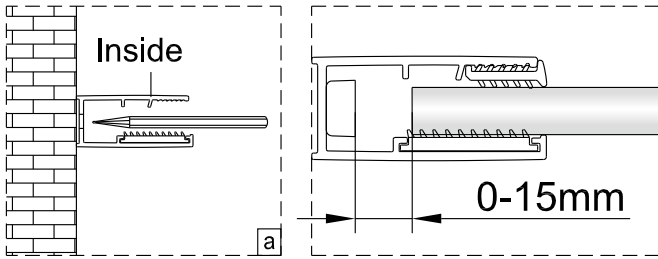
Step 15



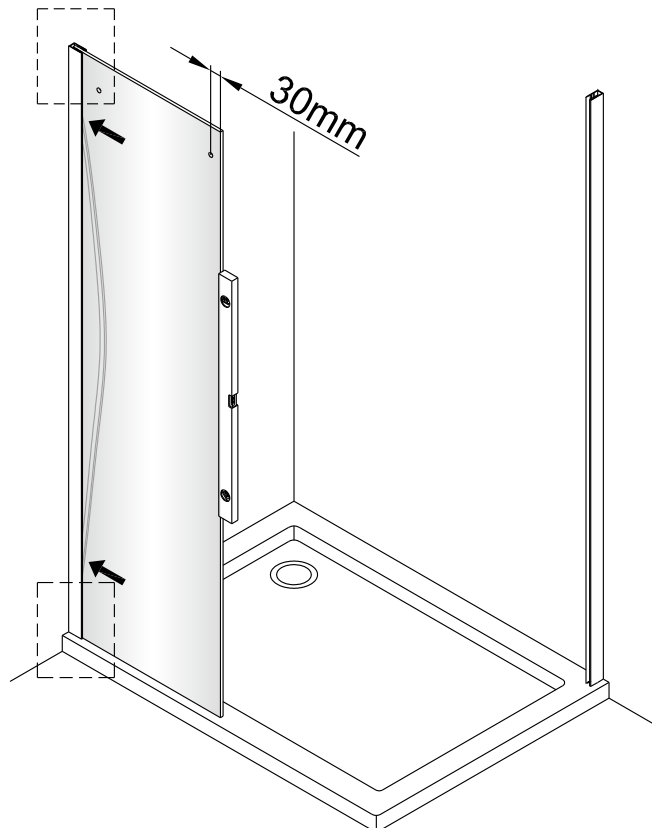
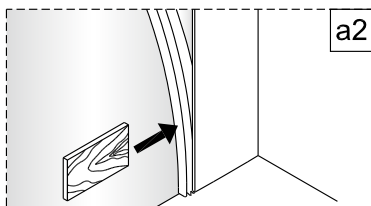
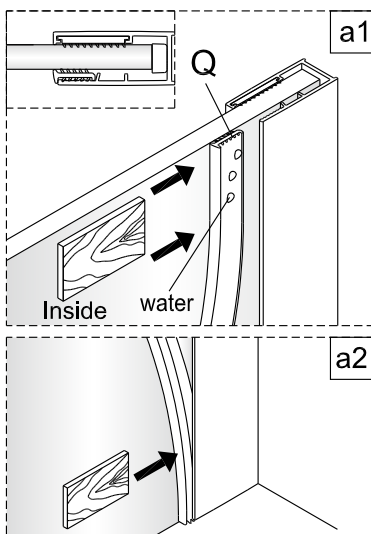
Step 16



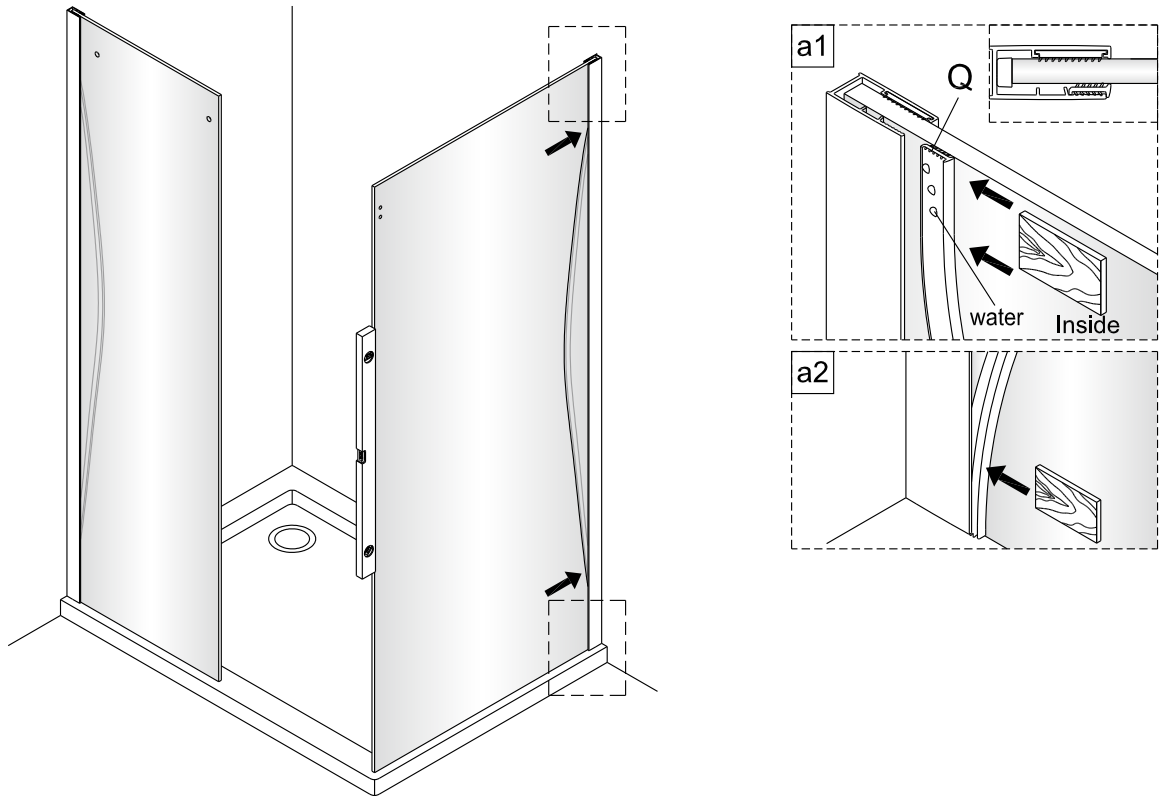
Step 1



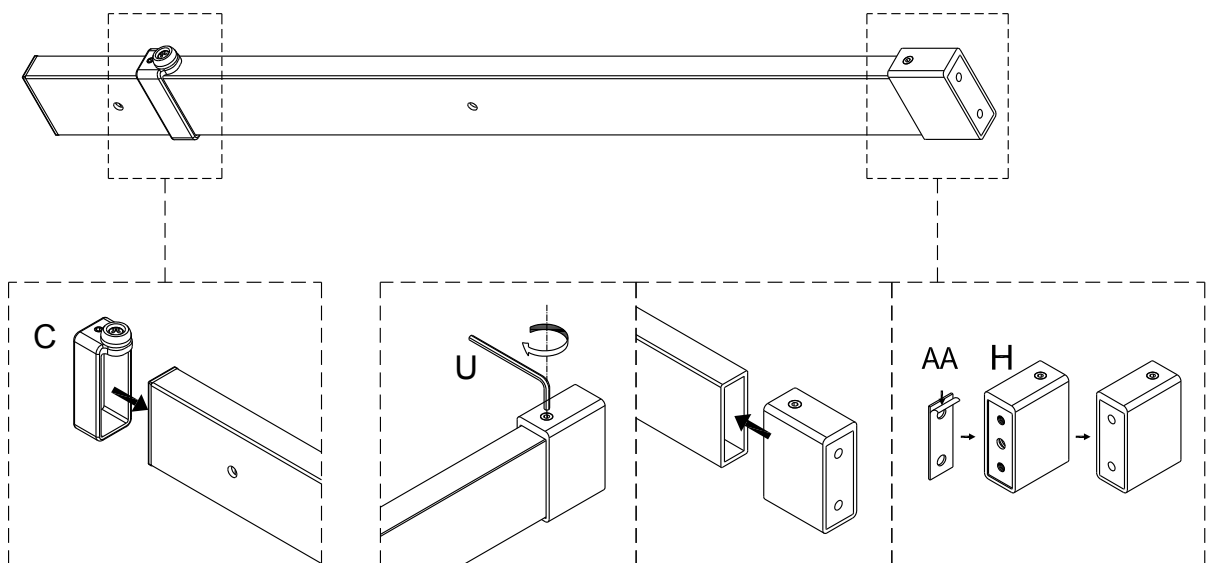
Step 2



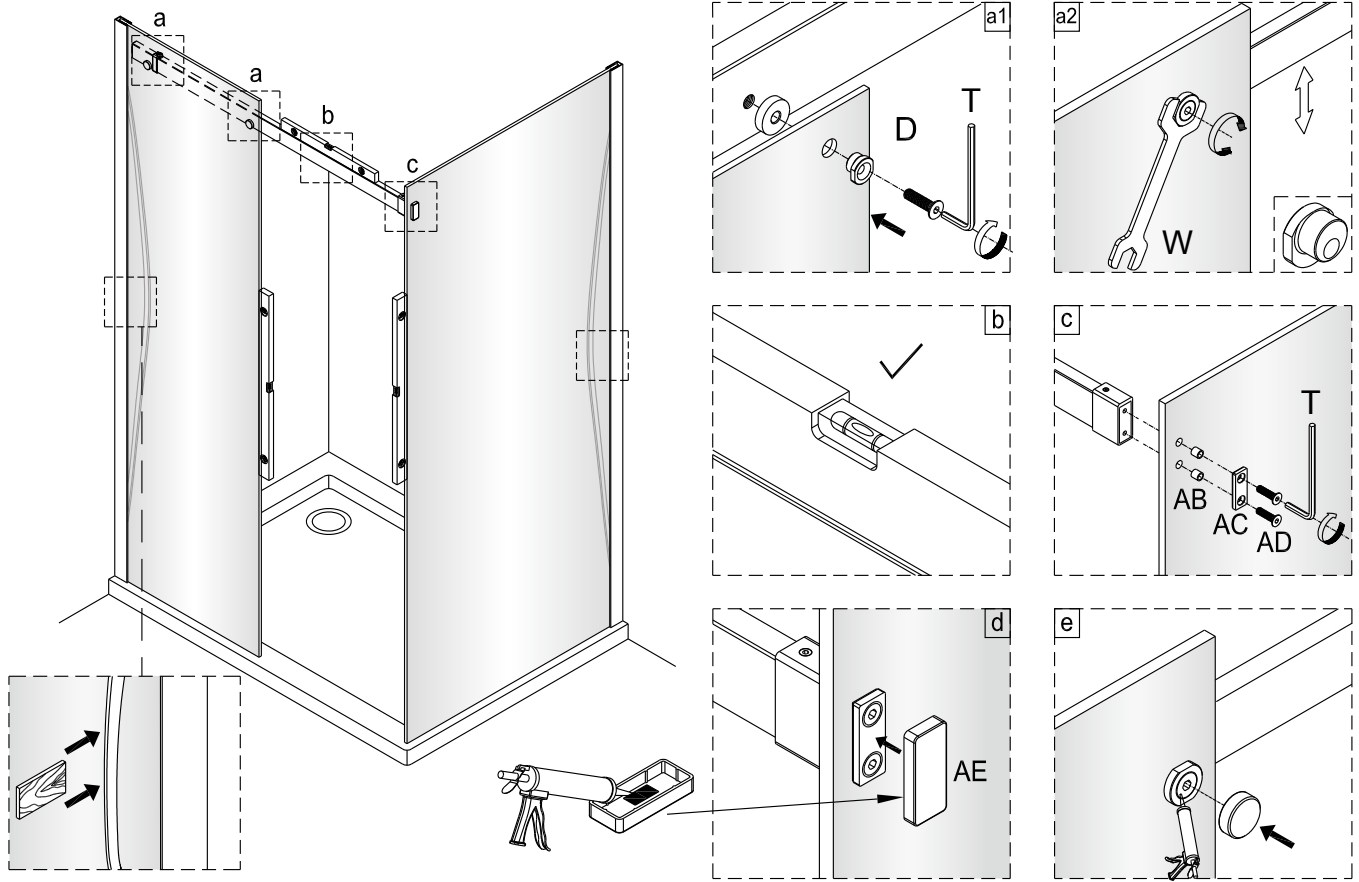
Step 3



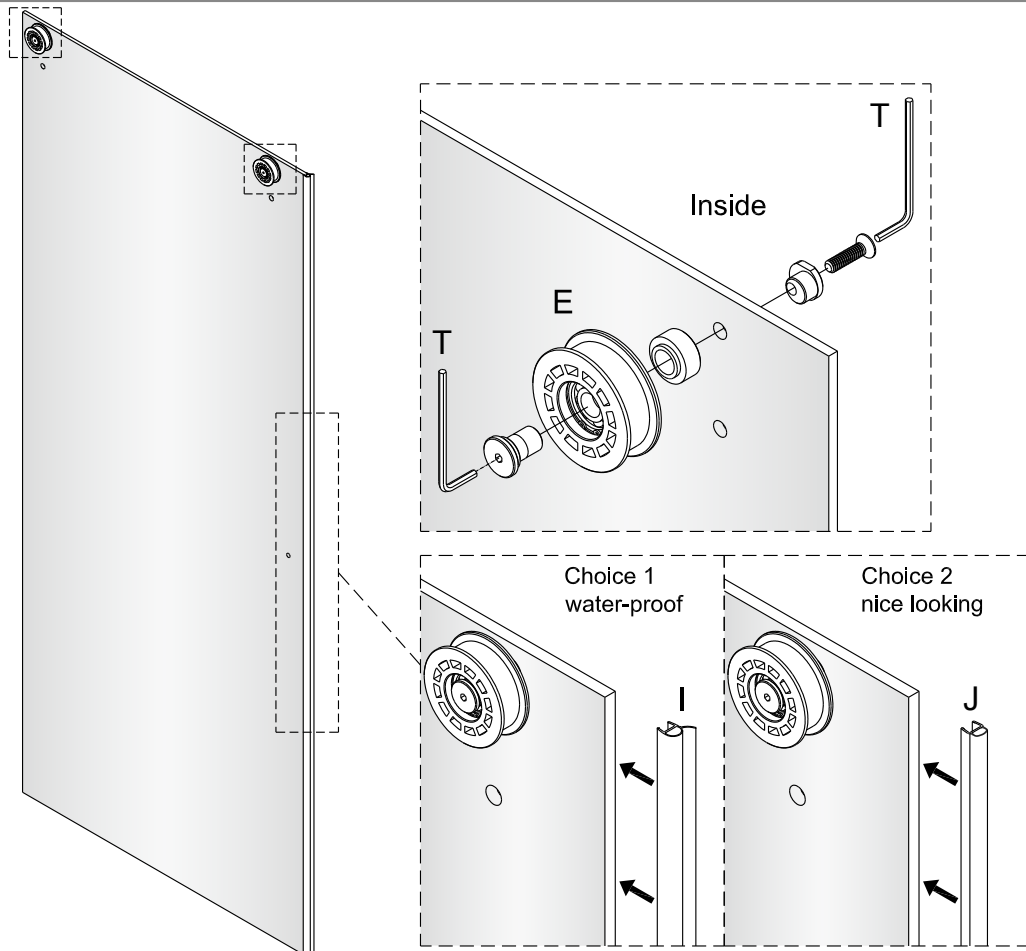
Step 4

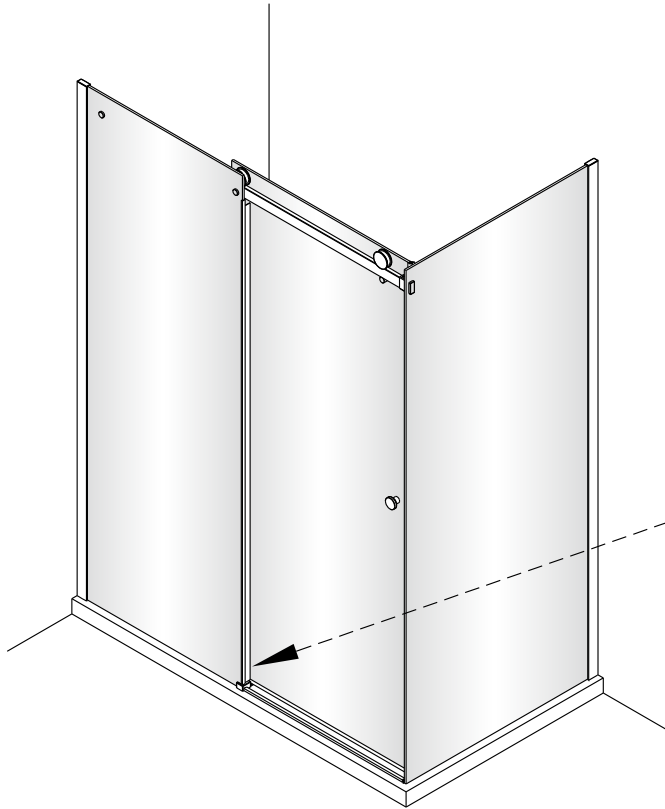


Step 5



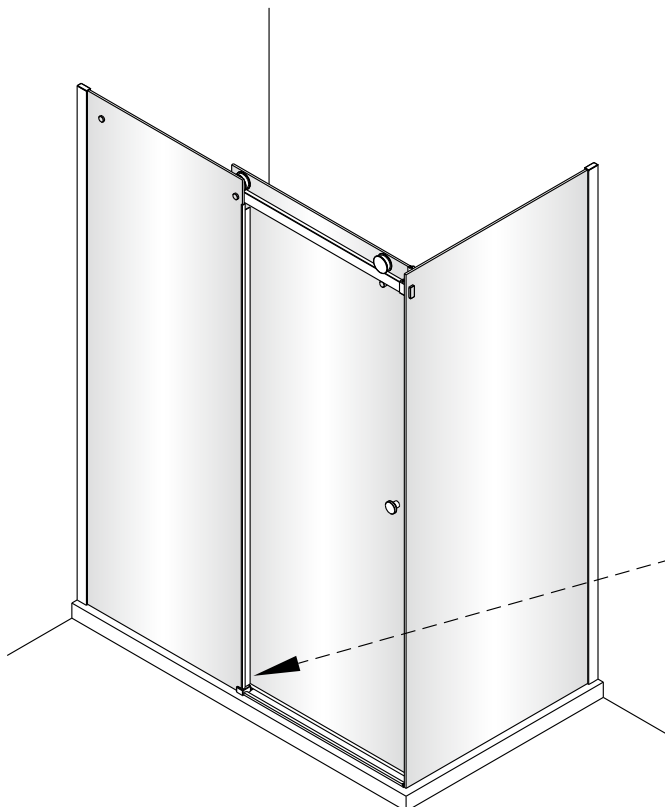
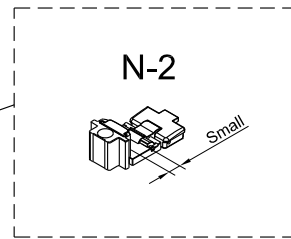
Step 6





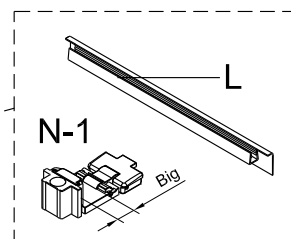
When the waterproof strip is not required at the bottom of the sliding glass panel, please follow step 7 and 8 and then go to step 12.

P7 → P8 → P12

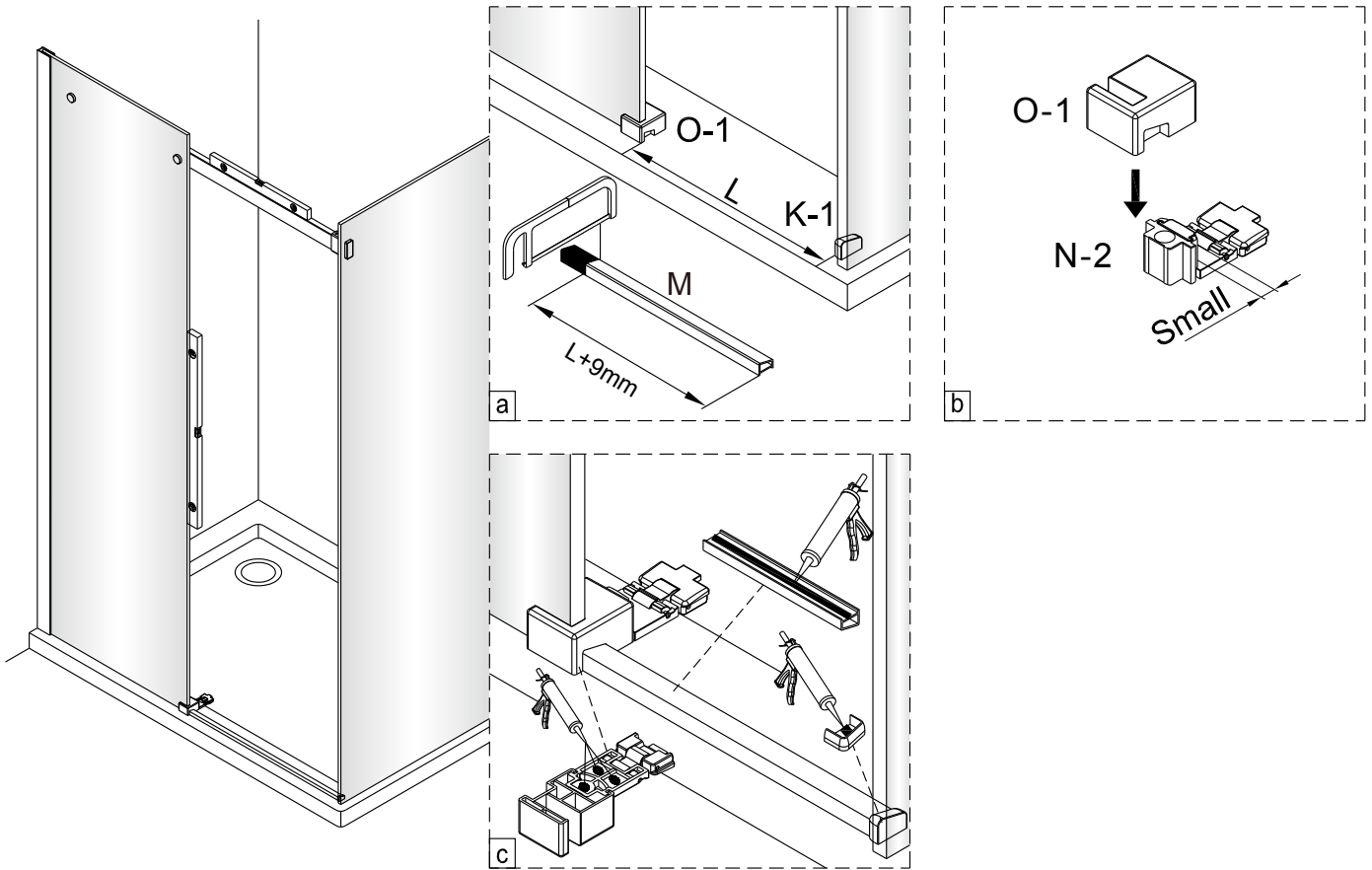


When the waterproof strip is required at the bottom of the sliding glass panel, please skip to step 9.

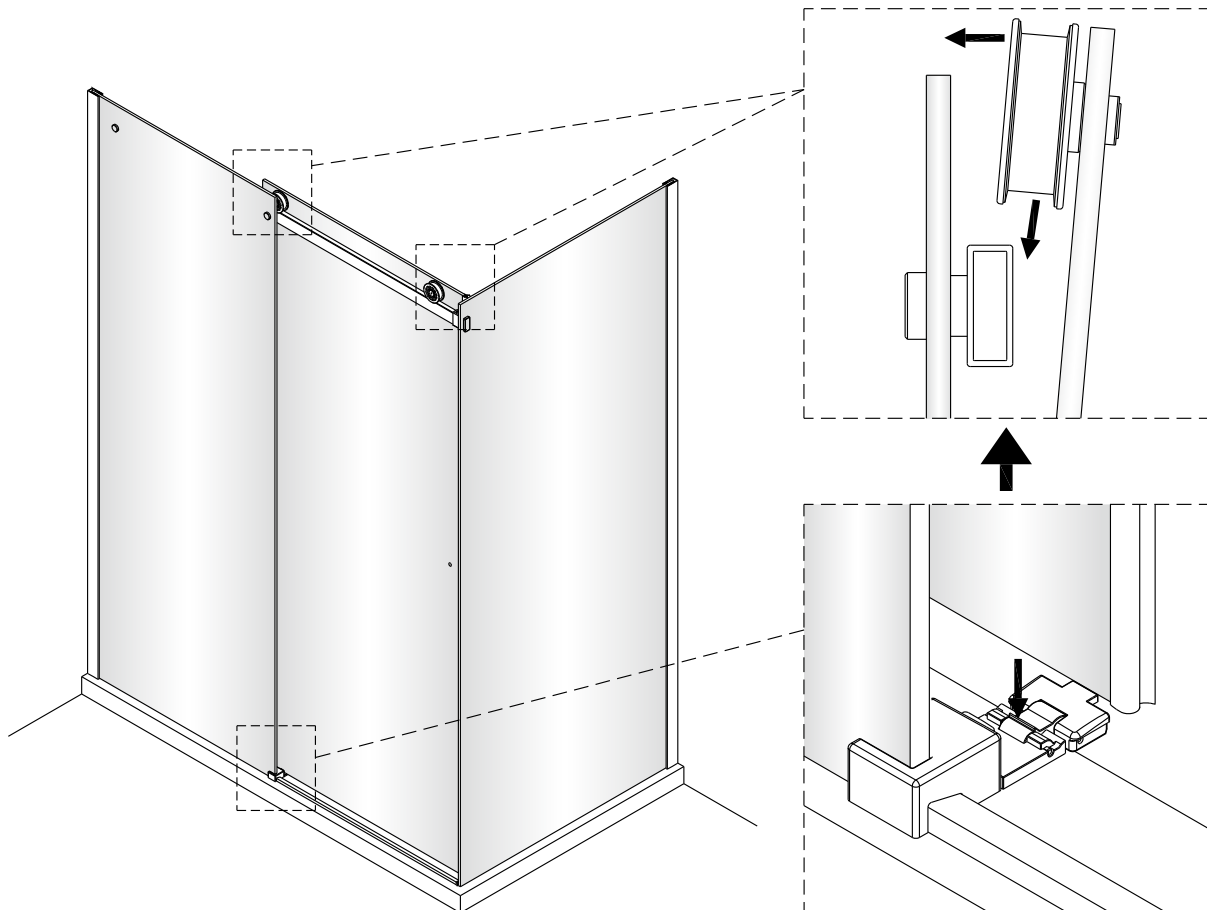
P9 → P16



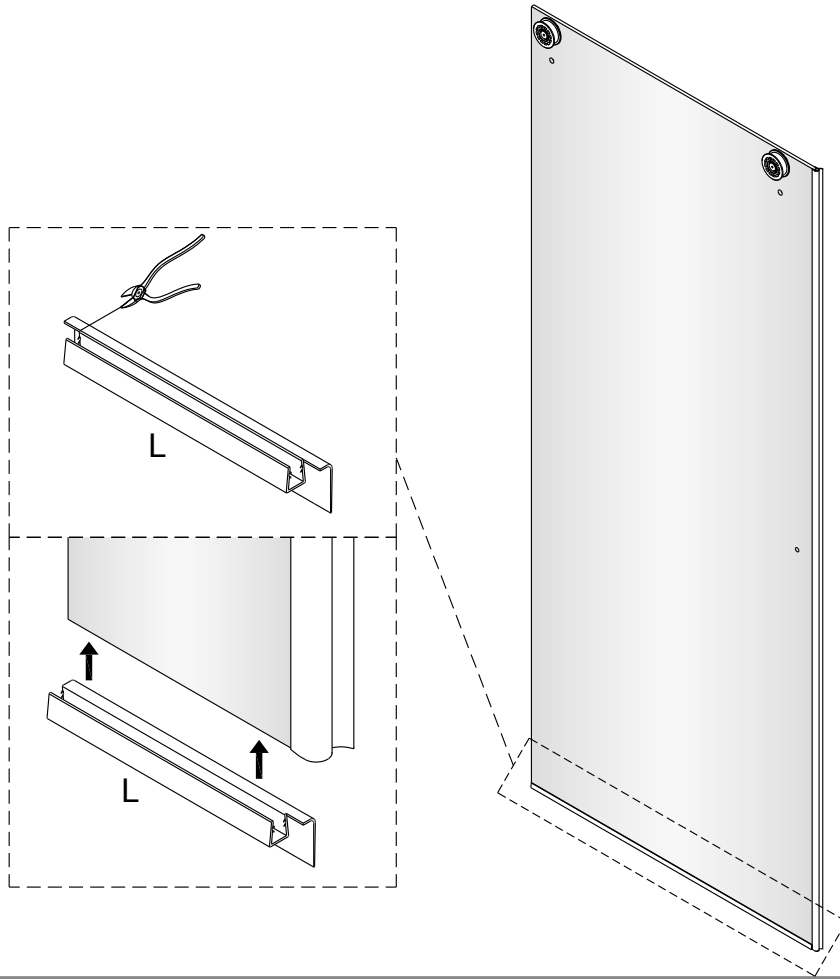
Step 7



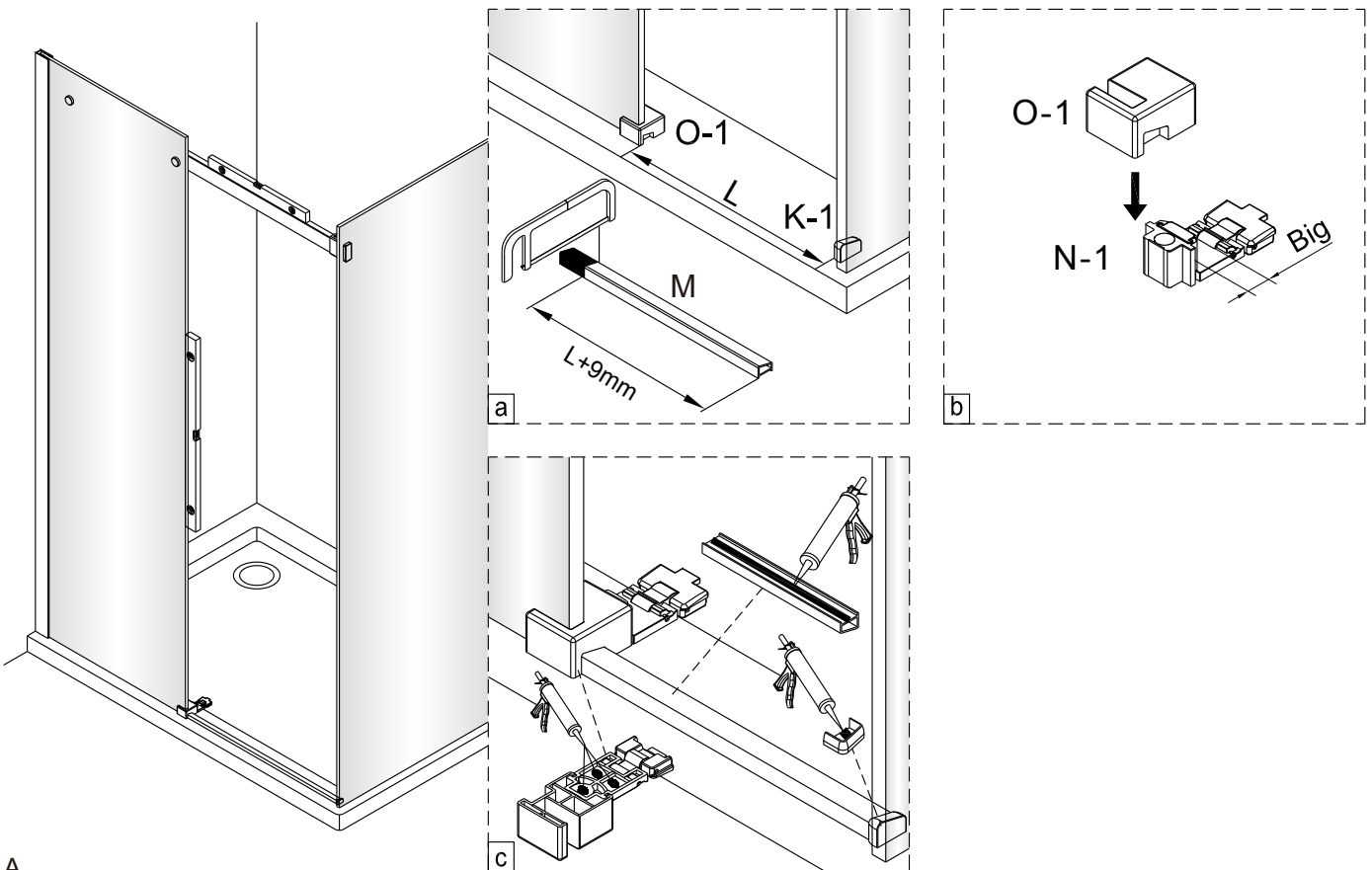
Step 8



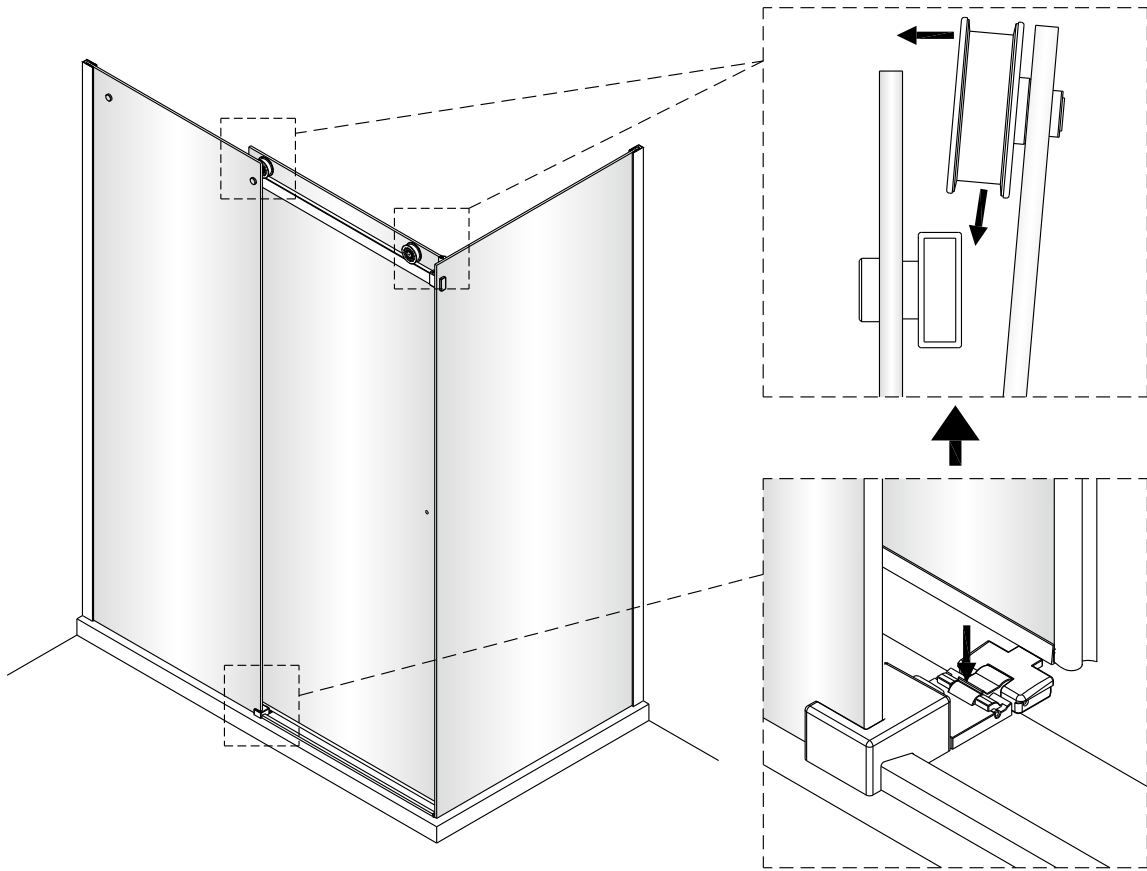
Step 9



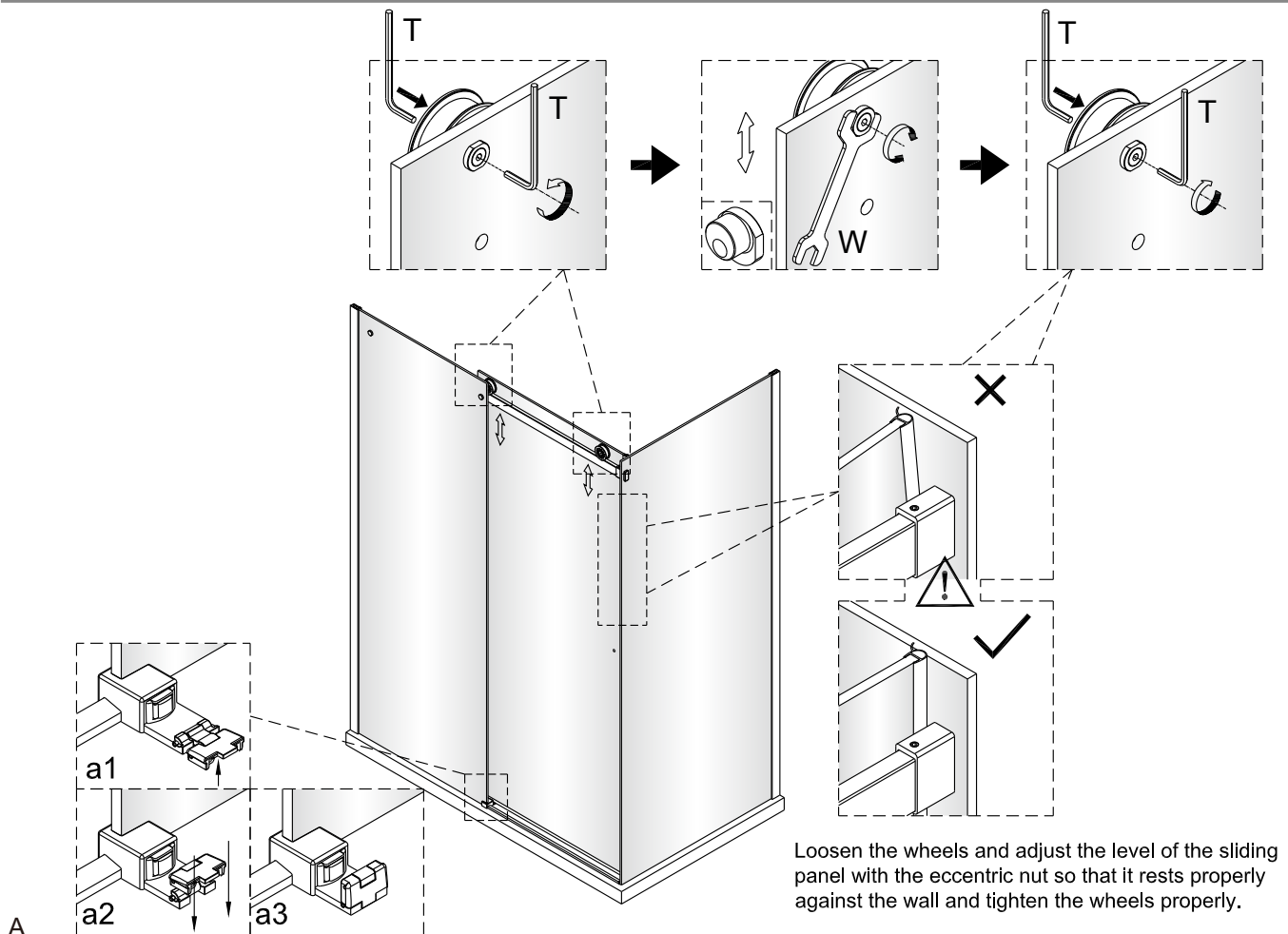
Step 10



Step 11

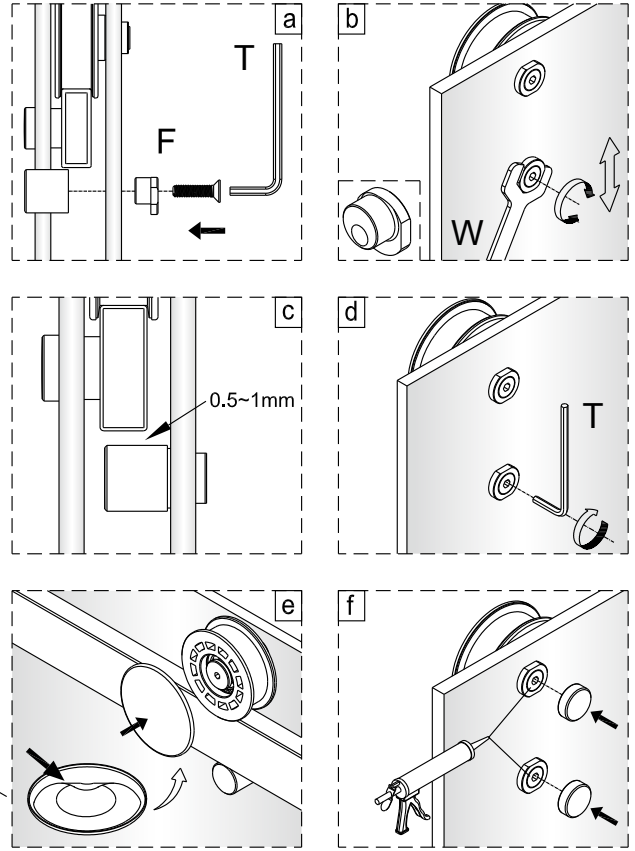
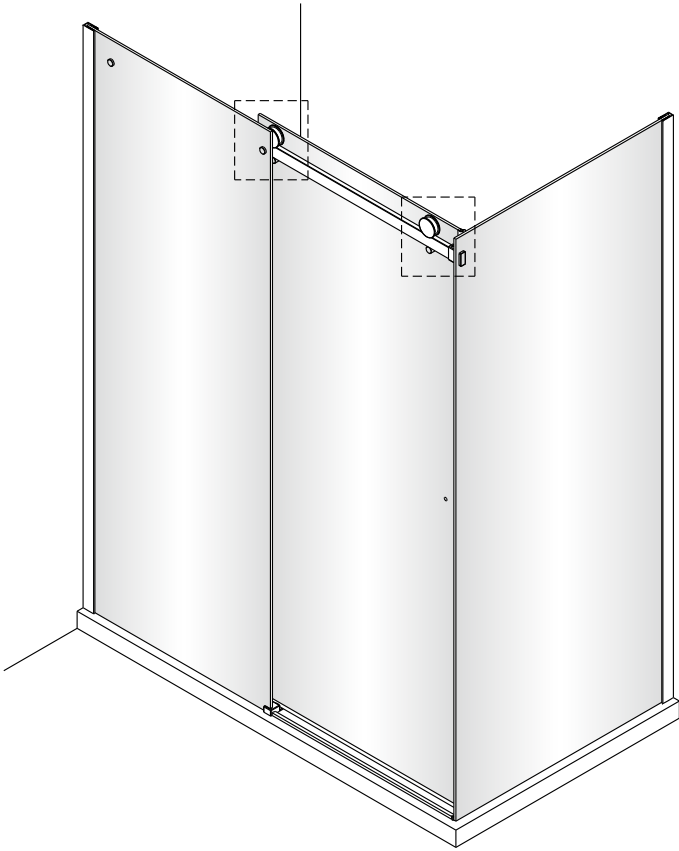


Step 12

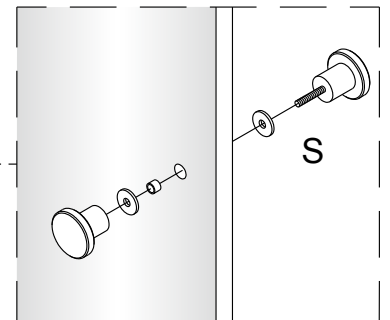
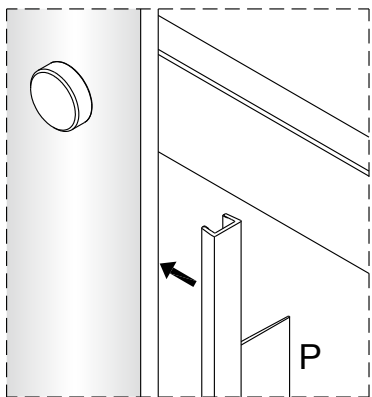
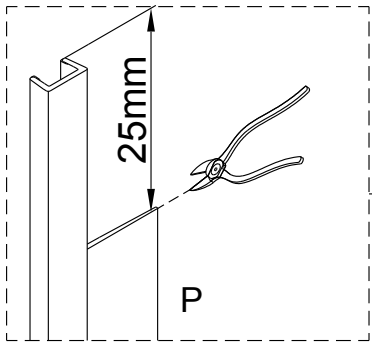
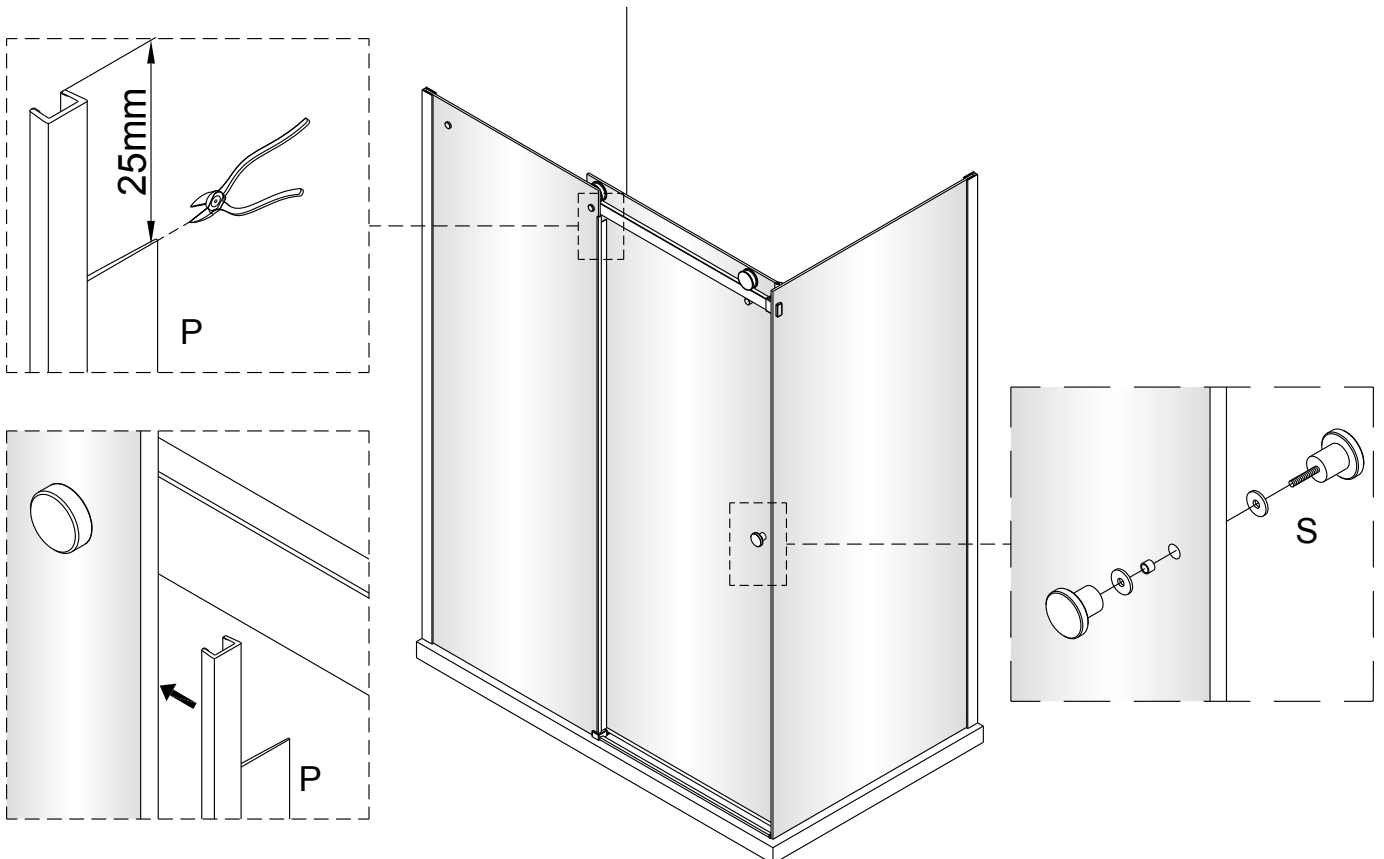


Loosen the wheels and adjust the level of the sliding panel with the eccentric nut so that it rests properly against the wall and tighten the wheels properly.

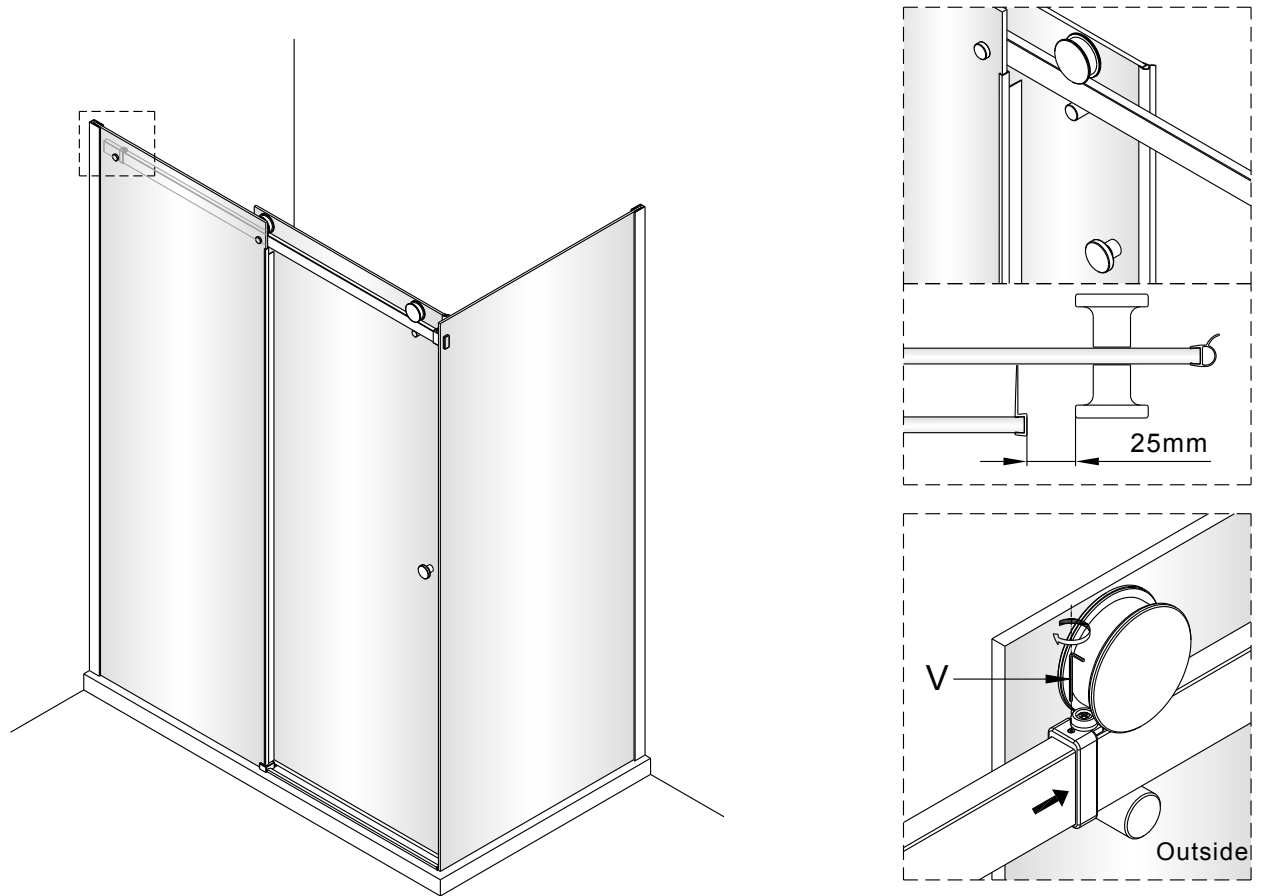
Step 13



Step 14



Step 15



Step 16

