

CANGAS SLIM /



DESCRIPTION

Cangas Slim 600, 2 Drawer, Wall-Hung Vanity

PRODUCT CODE

CAS60D2WH / CAS60D2WHM



Dimensions W 600 x H 640 x D 355 (mm)

Finishes White Paint or Melamine.

Basin Ceramic top with overflow and offset right taphole.

Handle Recessed rail design White Gloss (match), Melamine (match) or contrasting Black or Silver Aluminium Rail (centre only)

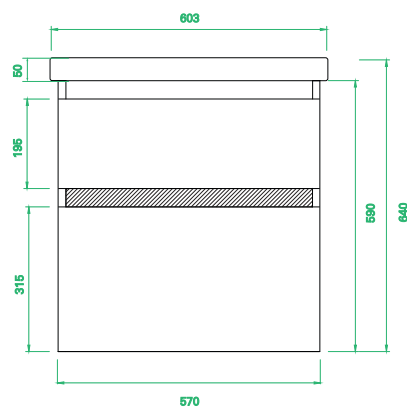
Origin New Zealand made cabinetry.

Features

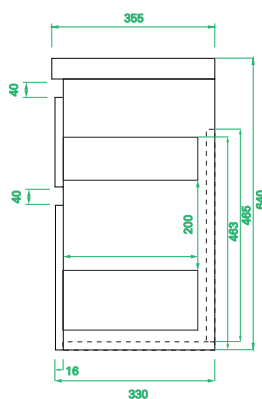
- Slim depth of 350mm.
- 2 soft-close drawers.
- Ceramic top with intergrated basin & overflow.
- Our paints are either polyurethane or UV based.
- Timber Effect Melamine is a low-pressure laminate.

TECHNICAL DRAWINGS

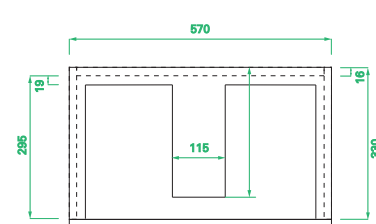
Front



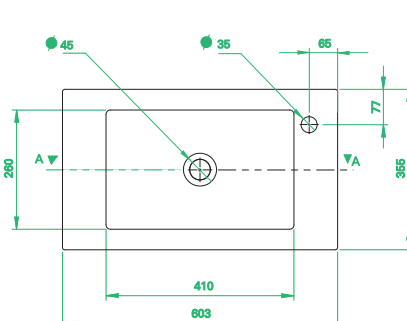
Side



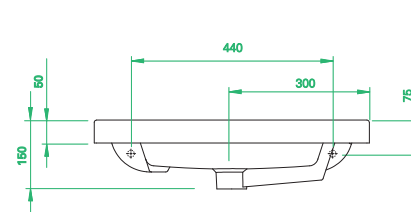
Drawers



Top Down



Basin Cross Section



NOTES

*Additional Cost. Accessories not included. Drawing indicates the technical measurement only and is not a reflection of how the product will look. Sizes are nominal only. All drawings in millimeters. Drawings not to scale.