

DESCRIPTION

Cangas 800, 2 Drawer, Wall-Hung Vanity

PRODUCT CODE

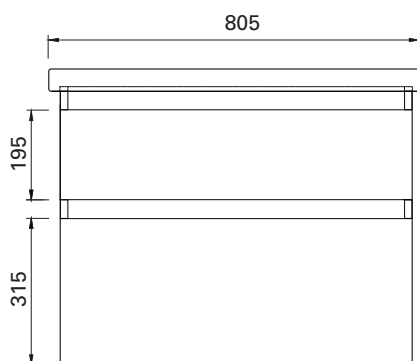
CAD80D2WH / CAD80D2WHM



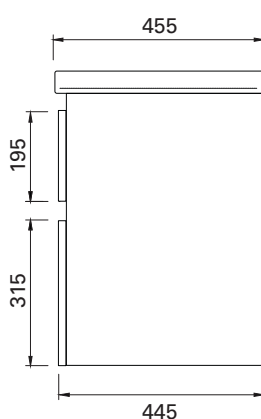
Dimensions	W 805 x H 638 x D 455 (mm)
Finishes	Gloss White Paint or Timber Effect Melamine
Basin	Soft ceramic top (H 40) with intergrated basin
Handle	Recessed rail design. White Gloss (match), Melamine (match) or contrasting Black or Silver Aluminium Rail (centre only).
Origin	New Zealand made cabinetry.
Features	<ul style="list-style-type: none"> • 2 Drawer with soft-close and handleless design. • Ceramic top with overflow • The paint used on our products is polyurethane or UV based.

TECHNICAL DRAWINGS

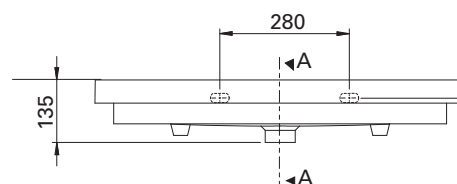
Front



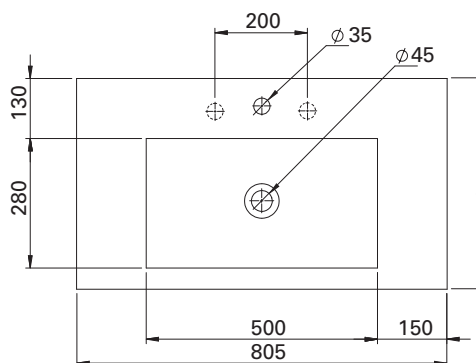
Side



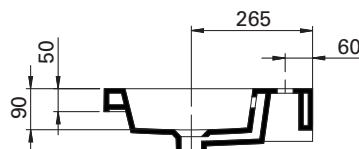
Basin Front View



Top Down



Basin Cross Section



NOTES

*Additional Cost. Accessories not included. Drawing indicates the technical measurement only and is not a reflection of how the product will look. Sizes are nominal only. All drawings in millimeters. Drawings not to scale.