

DESCRIPTION

Cangas 600, 2 Drawer, Wall-Hung Vanity

PRODUCT CODE

CAD60D2WH / CAD60D2WHM



Dimensions W 600 x H 638 x D 455 (mm)

Finishes Gloss White Paint or Timber Effect Melamine

Basin Soft ceramic top (H 40) with intergrated basin

Handle Recessed rail design. White Gloss (match), Melamine (match) or contrasting Black or Silver Aluminium Rail (centre only).

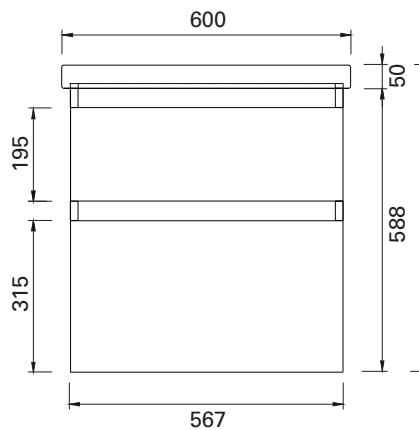
Origin New Zealand made cabinetry.

Features

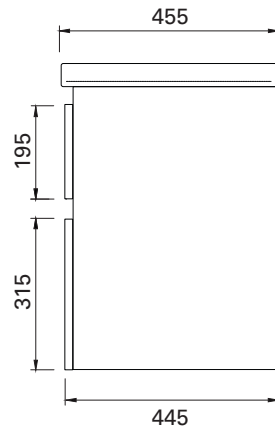
- 2 Drawer with soft-close and handleless design.
- Ceramic top with overflow
- The paint used on our products is polyurethane or UV based.

TECHNICAL DRAWINGS

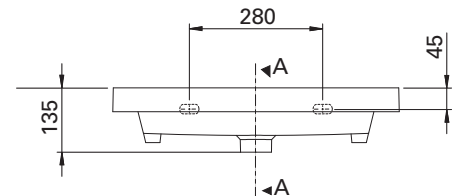
Front



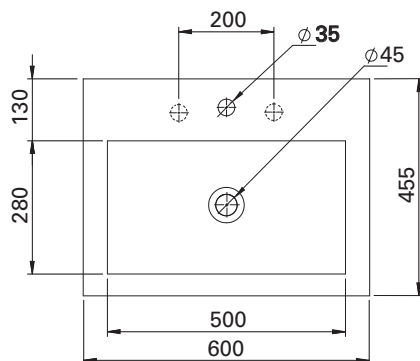
Side



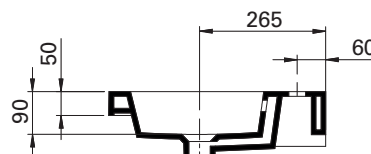
Basin Front View



Top Down



Basin Cross Section



NOTES

*Additional Cost. Accessories not included. Drawing indicates the technical measurement only and is not a reflection of how the product will look. Sizes are nominal only. All drawings in millimeters. Drawings not to scale.