

Central Shower

vcbc

DESCRIPTION

Central 2-Sided Shower Package- 1200mm Door, 800mm Side Panel

PRODUCT CODE

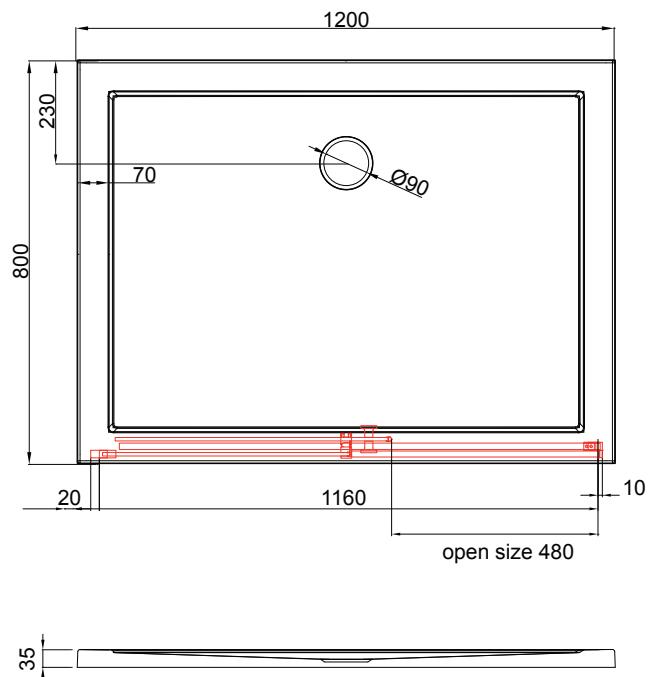
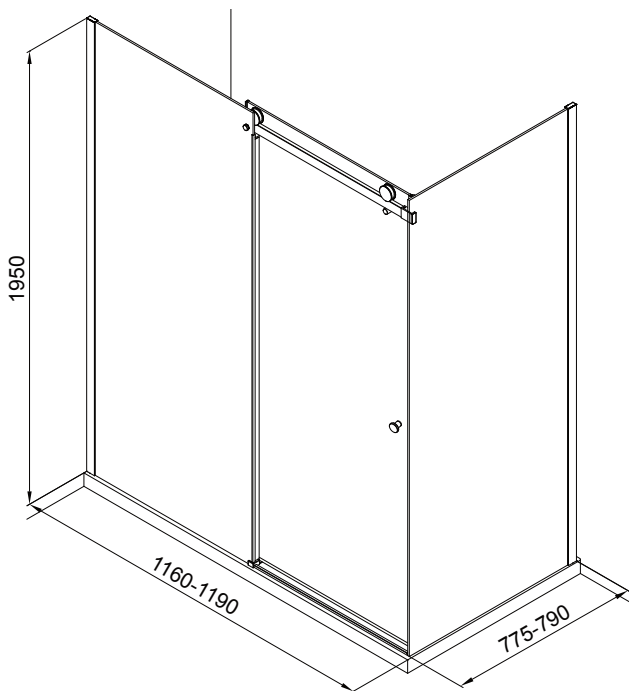
CT1280



FEATURES

- Dimensions- W1200 x H1950 x D800mm
- Door Entry- W480mm
- Signature roller system using smooth gliding wheels.
- Polished chrome finish fittings.
- 8mm clear toughened safety glass with 3M Ultimate Glass Protection System.
- Powershower proof – Shower screens have been carefully developed and tested to ensure they can withstand the optimum performance of a power shower.
- 30mm adjustment for easy fitting.
- Reversible design for left or right opening.
- Package includes a 1200mm single door, 800mm side panel, 2-sided acrylic wall liner, shower tray (Z175) with upstands, easy clean waste and glue pack.

TECHNICAL DRAWINGS



*30mm adjustment for easy fitting per panel

NOTES

Excludes tap ware & accessories. Wall liners are custom-made and are only supplied after wall-to-wall GIB measurements have been provided. Drawing indicates the technical measurement only and is not a reflection of how the unit will look. Sizes are nominal only. All drawings in millimeters. Drawings not to scale. October 2019.