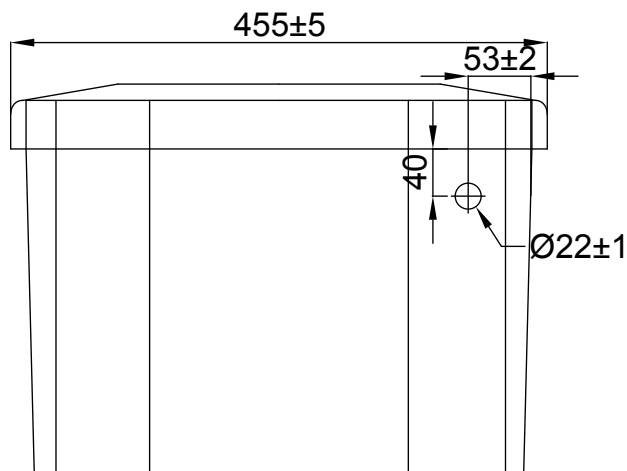


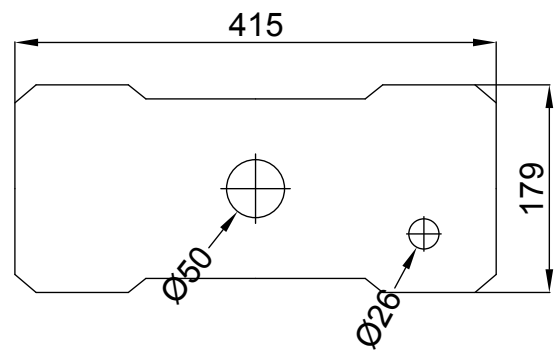
Burlington®

Simply Exclusive
Classically styled bathrooms

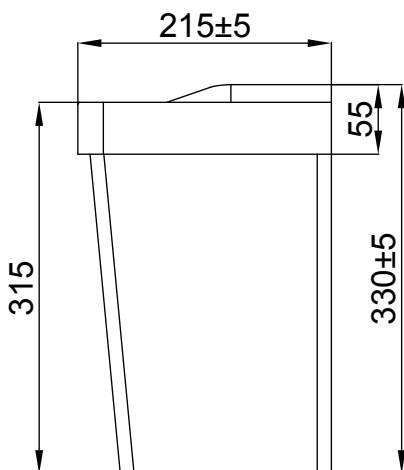
Front



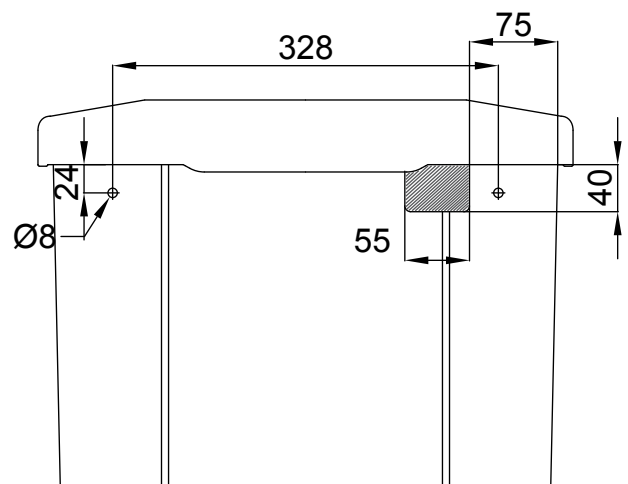
Bottom



Side



Back



Remark:

- 1: Flatness of installation surface: 0~2mm
- 2: Flatness of whole surface: 0~5mm
- 3: Flatness of main surface: 0~5mm
- 4: Flatness of side surface: 0~4mm