

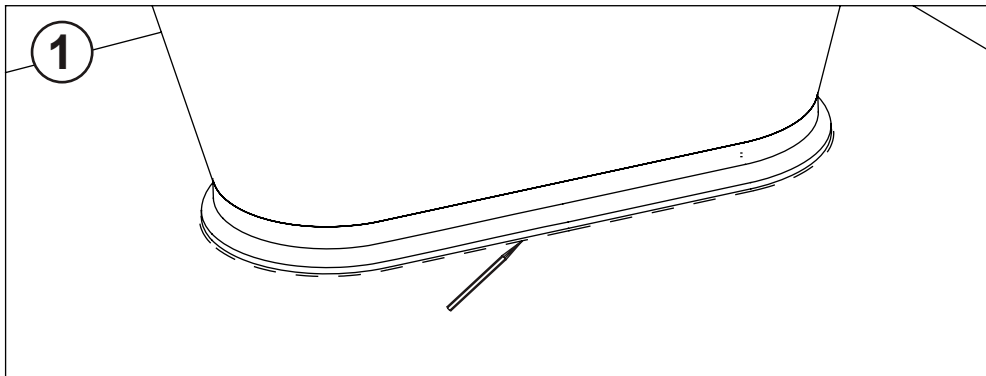
**IMPORTANT**

- Leave these instructions with the home owner after installation.
- Please unwrap the bath and check it carefully to ensure it has not been damaged in handling or transport.
- Please check that all parts have been supplied.
- Assemble the bath on a mat to protect against damage to the bath surface.
- Please do not remove old fixtures before you unpack and inspect the new unit.
- Store the bath in a safe place until you begin installation.
- Any installation should be carried out by a qualified tradesman with knowledge of statutory plumbing requirements in your area.
- This product requires multiple people to lift – use proper lifting techniques.
- This installation guide does not include details of waste connection; final decisions about installation of waste connection should be taken by a suitably qualified person.
- This bath has a 5 year warranty, however waste is limited to 1 year.

**Do NOT over-tighten the waste as this may cause long term damage to the bath.**  
**We recommend to use a torque wrench to tighten the waste.**

**Care and Maintenance**

Repairing a scratch: If any scratches occur during installation these can be removed by rubbing with a 1500+ grit waterproof abrasive paper and water. Re-polish the surface



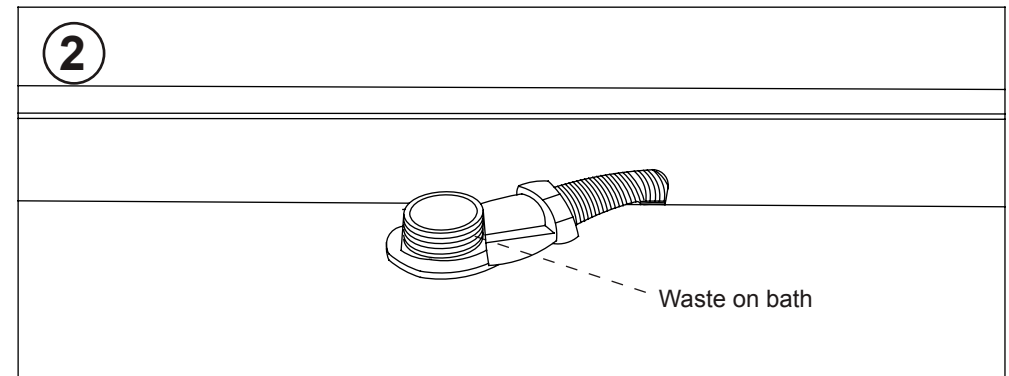
- The floor which the bath sits on must be level.
- Place the bath in the desired position in the bathroom, mark around the bottom edge of the bath.

afterwards using a neutral automotive colour restorer or household metal polish. For best results limit sanding to the smallest possible area around the scratch. It may be possible to polish very fine scratches away without using abrasive papers: scrubbing gently with a soft brush or plastic pad (not metal scouring pad) and a mildly abrasive cream cleaner. Afterwards scrub the whole area with plenty of clean water and re-polish as before. It is advisable always to run in some cold water before turning on the hot tap. Extreme heat such as that generated by cigarettes or portable heaters can damage Acrylic surfaces. Do not use such items near your bath.

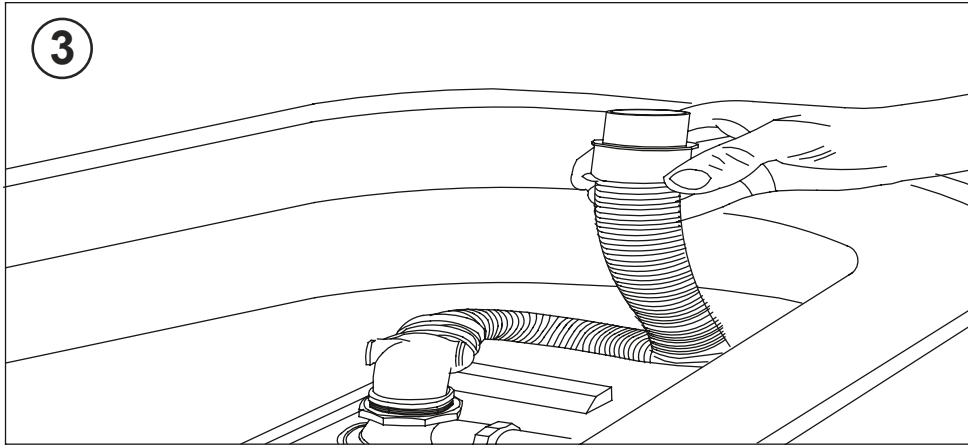
**Everyday Cleaning** We recommend a non-abrasive bathroom cleaner.

**WARNING**

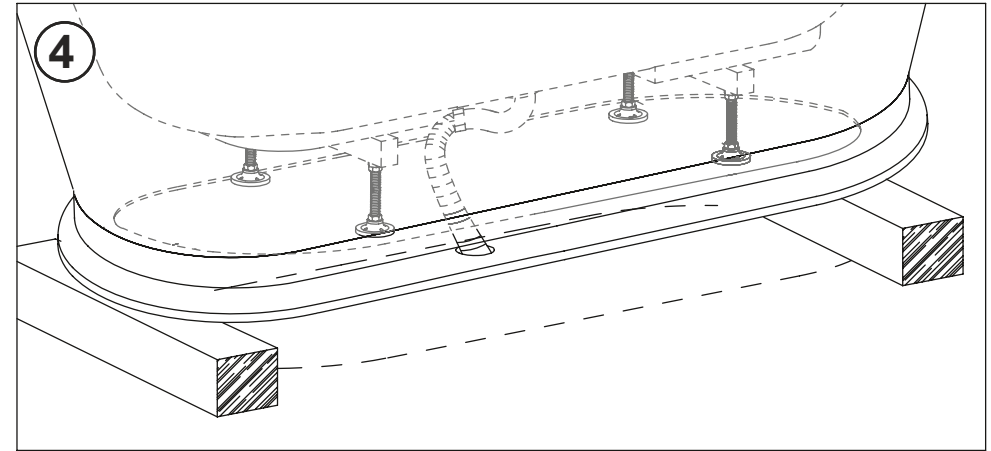
- Never use bleach products, caustic soda and/or ethyl alcohol (for example Lysoform) or other specifically manufactured cleaners. In case of contact, rinse immediately with water.
- Please note that hair dye/colouring or oil based colours may discolour your bath. Avoid using any strong dye or colour in or near your bath.
- Do not drill through the side of the bath for waste connection, only where the overflow template is provided. Waste pipe is through floor access only.
- When using underfloor heating please take care not to put the heating pipes/mats underneath the bath area. The bath should not sit on a heated floor.
- Bath mat or suction mats must be avoided – might cause damage to the surface over time.



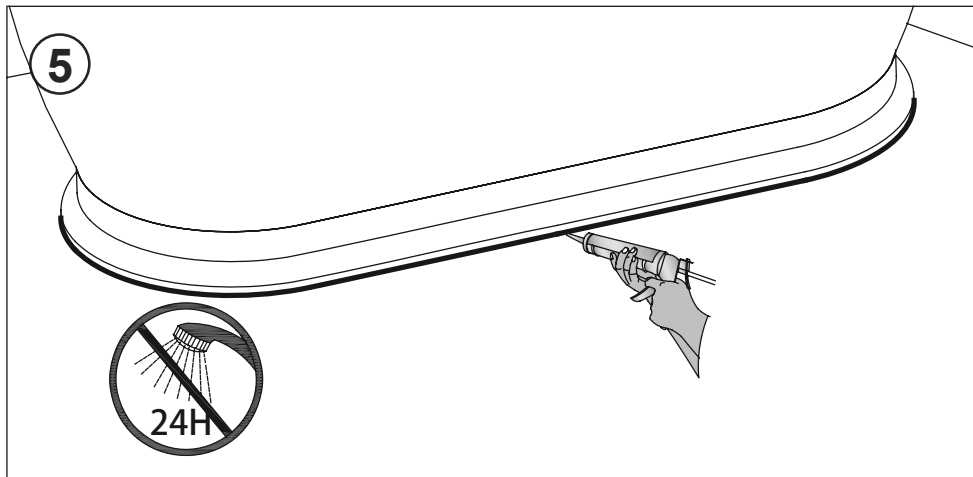
- The baths have no panel to remove for access to the waste.  
 There is access under the bath for the connection of the outlet pipe to the trap.



- If you have a waste that comes up through the floor, you can connect to it with a flexible drain pipe which enables you to tilt the bath up and move the bath into the required position. To avoid water retention in the trap the flexible pipe should have a continuous downward flow.



- Place the bath on two wooden blocks over the waste connections.
- Connect the waste. Fill the bath with water and check for leakage.



- Securing your bath to the floor!!!  
When the bath is in position and the installation is complete, It is recommended that you apply a bead of clear silicone sealant around the bottom of the bath and along the back edges of back to wall bath ( for E23) to secure it to the floor and wall.
- Should maintenance access be needed the silicone can be released by cutting round it with a sharp knife.