

## DESCRIPTION

Edwardian Rectangle 610 Basin, Standard Pedestal

## PRODUCT CODE

B5-2TH, P1

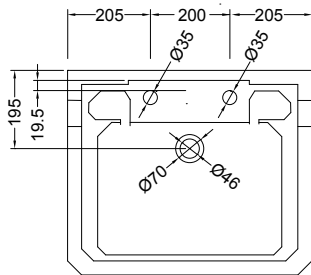


## FEATURES

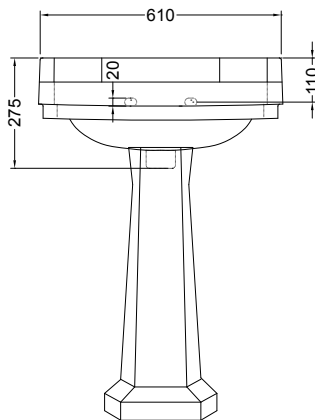
- Dimensions - W 620 x H 265 x D 505mm (B5-2TH), W 290 x H 680 x D 250mm (P1)
- 2 tap hole 610mm basin
- Made of vitreous China
- The overflow is to solve the issue of a dripping tap if the plug is left in. It is not designed to take a flowing tap
- Price excludes basin taps & wastes. Towel rail also available (T3CHR)

## TECHNICAL DRAWINGS

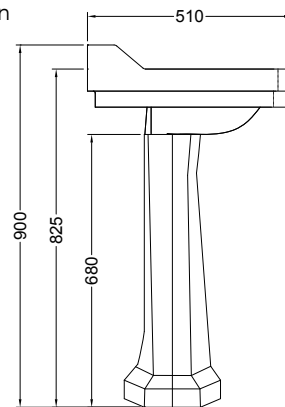
Top



Front



Side Section



## NOTES

Drawing indicates the technical measurement only and is not a reflection of how the unit will look. Sizes approximate. All drawings in millimeters.