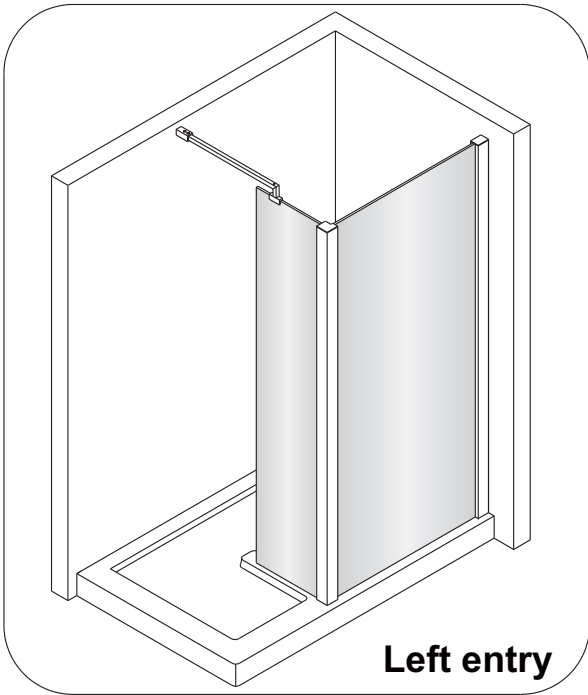
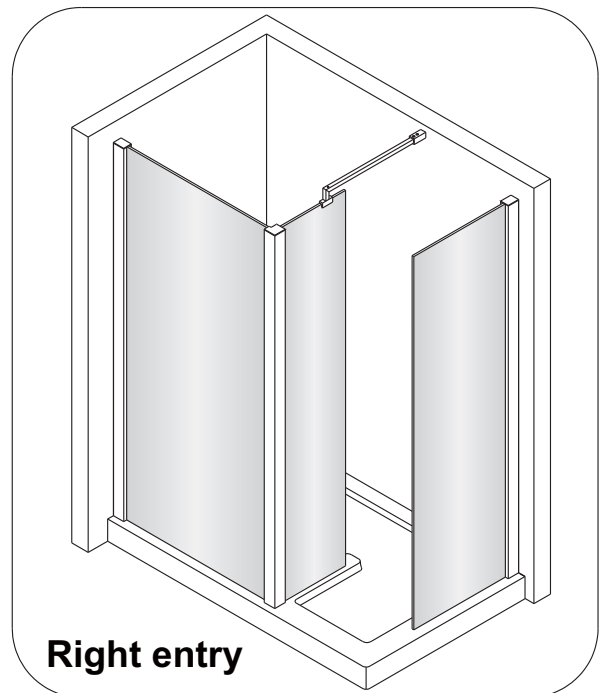
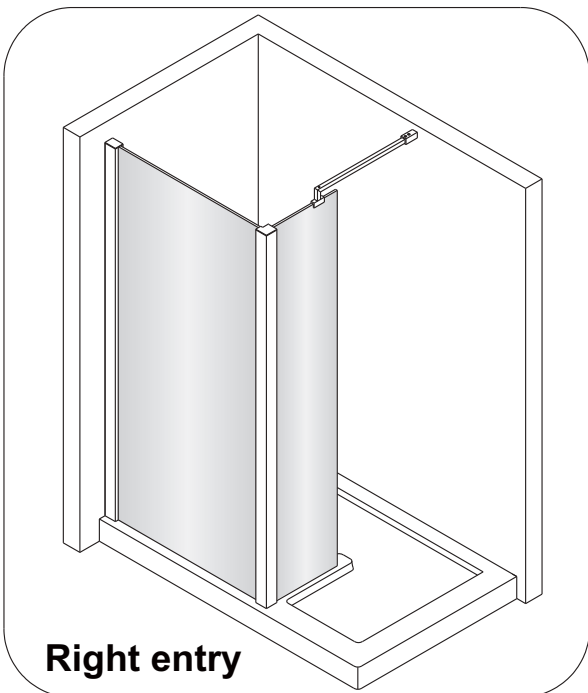
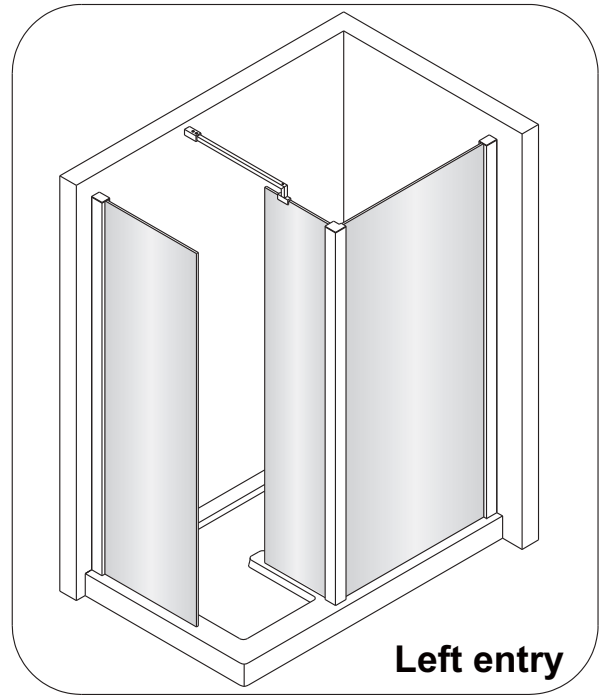


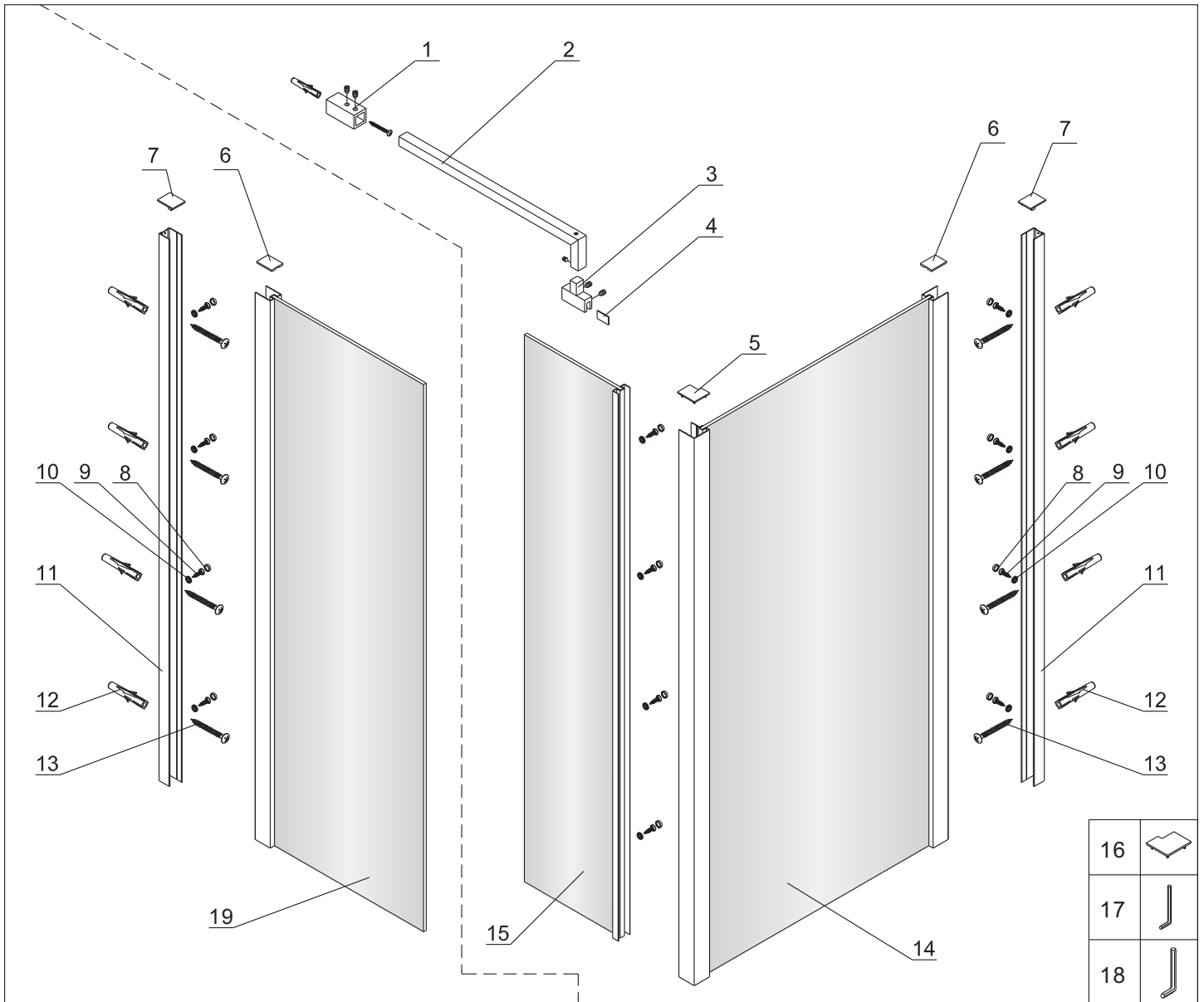
# BC9G1A & BP1G-A Instruction Manual

**SET A(Page 3-6)**



**SET B(Page 6-8)**

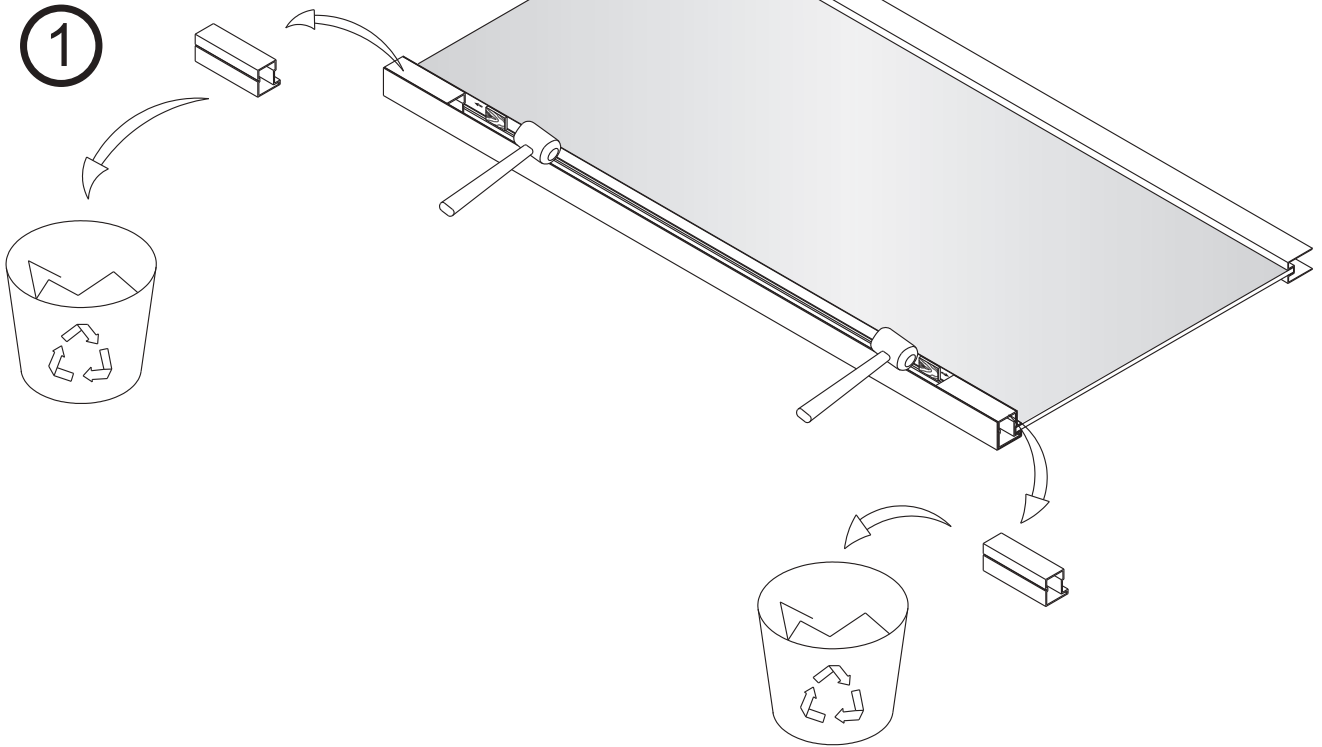




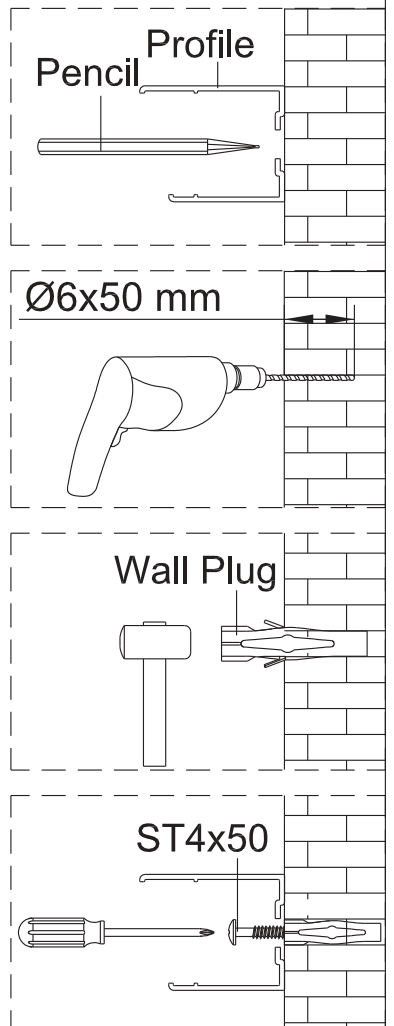
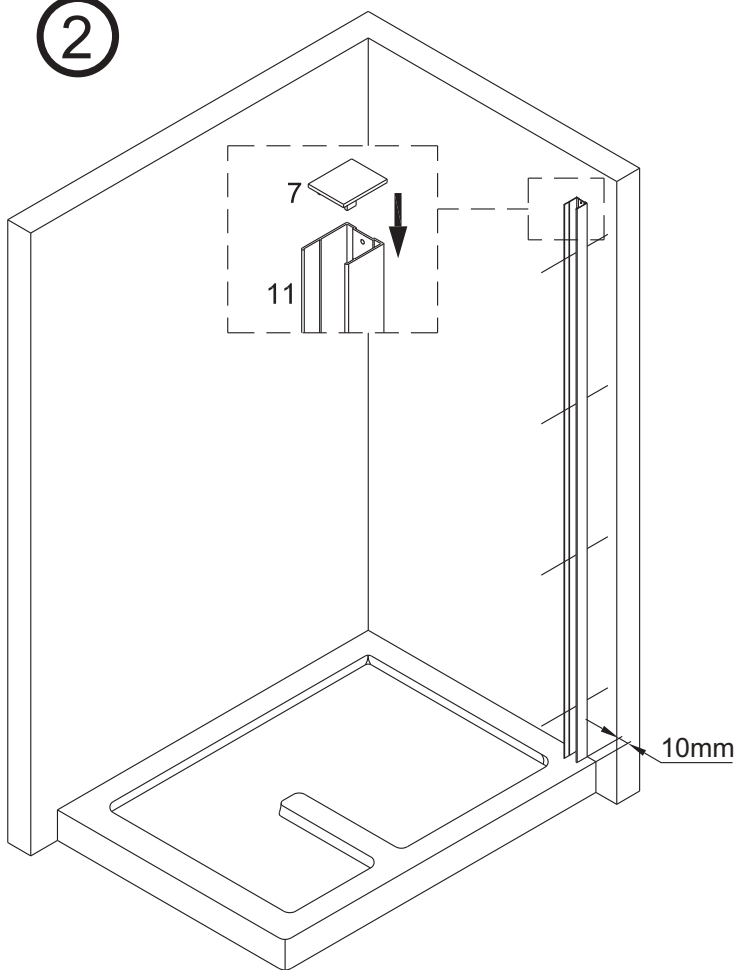
ITEM NO.	DESCRIPTION	QUANTITY	ITEM NO.	DESCRIPTION	QUANTITY
6	Line profile cap	1	1	Wall bracket	1
7	Wall profile cap	1	2	Bracket	1
8	ST4X12 screw cap	4	3	Glass bracket	1
9	ST4X12 screw	4	4	Mat	1
10	Washer	4	5	Adjustable profile cap	1
11	Wall profile	1	6	Line profile cap	1
12	Wall plug	4	7	Wall profile cap	1
13	ST4X50 screw	4	8	ST4X12 screw cap	8
19	Fixed panle	1	9	ST4X12 screw	8
TOOLS REQUIRED			10	Washer	8
			11	Wall profile	1
			12	Wall plug	5
			13	ST4X50 screw	5
			14	Fixed panle (big)	1
			15	Fixed panel (small)	1
			16	Adjustable profile cap	1
			17	Hexangular spanner (3mm)	1
			18	Hexangular spanner (4mm)	1

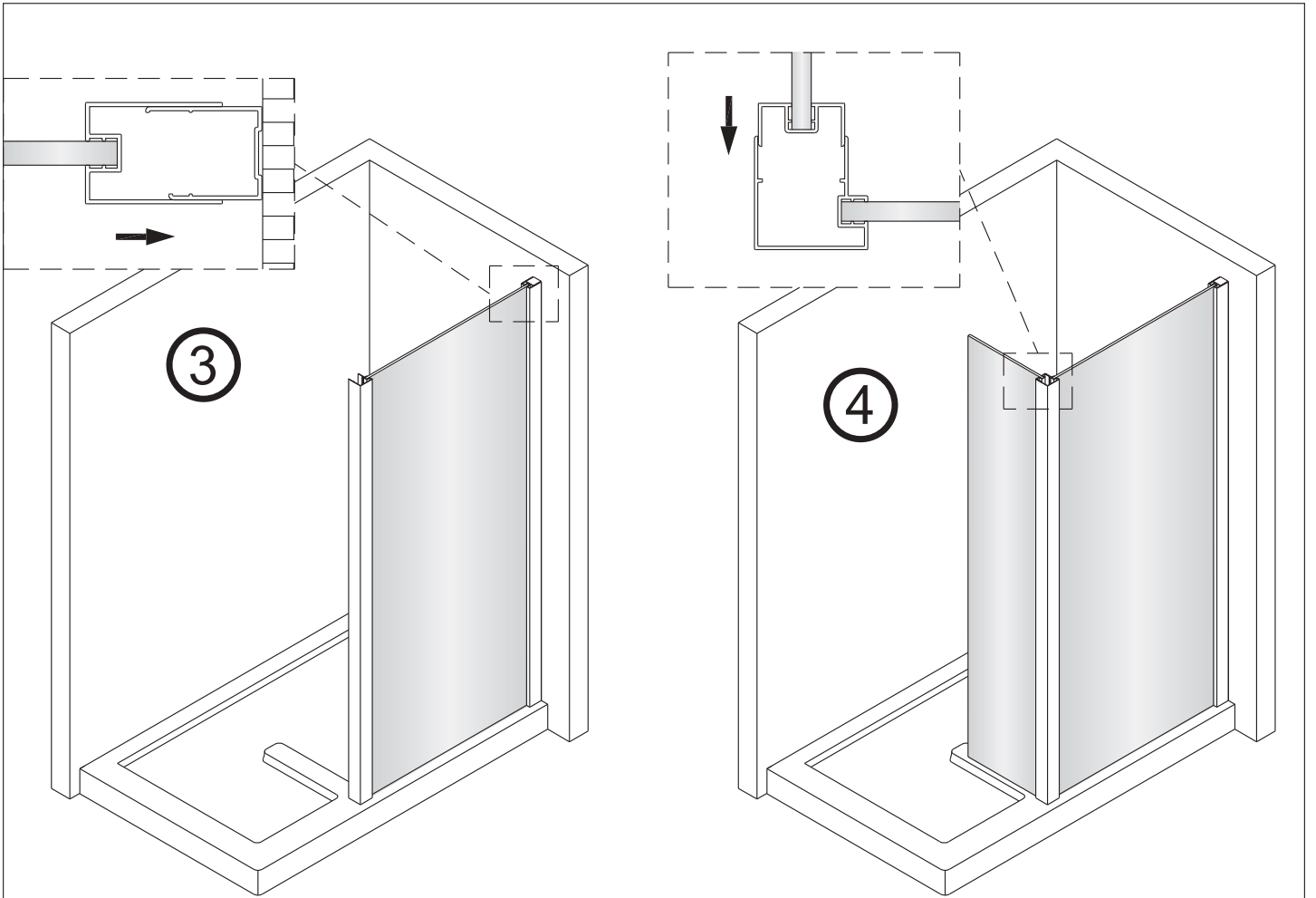
# SET A

1

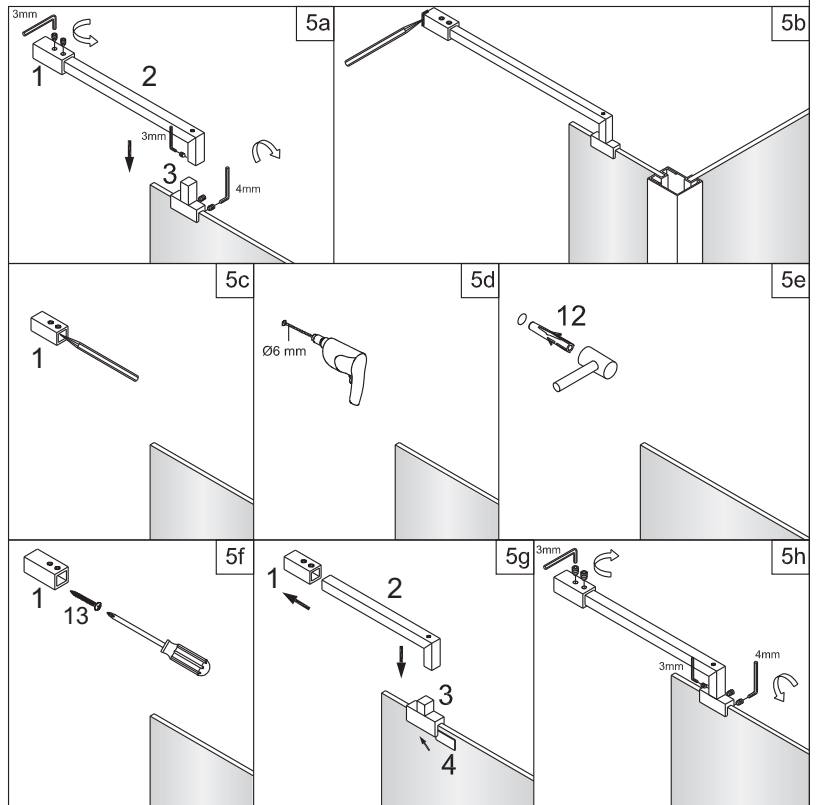
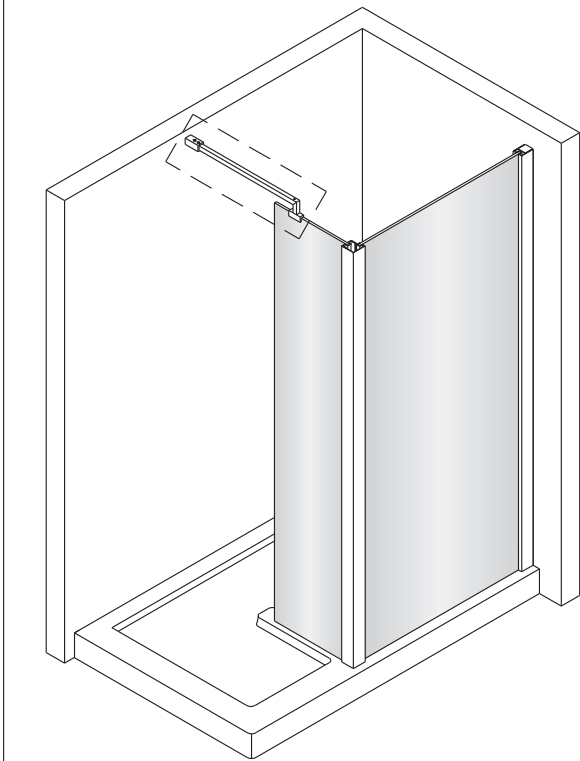


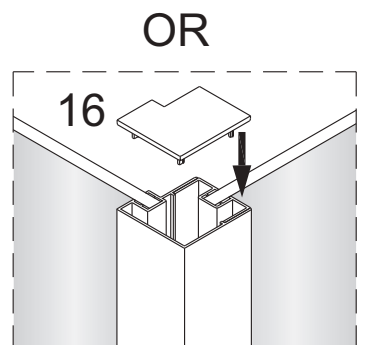
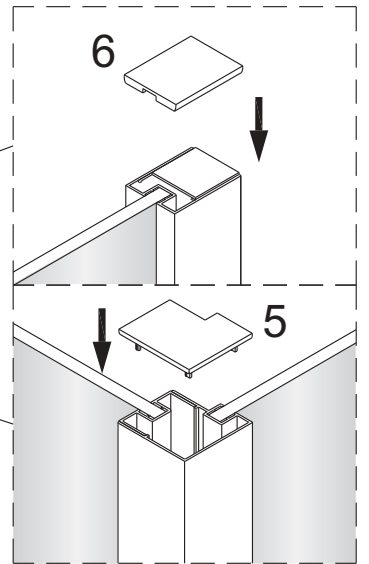
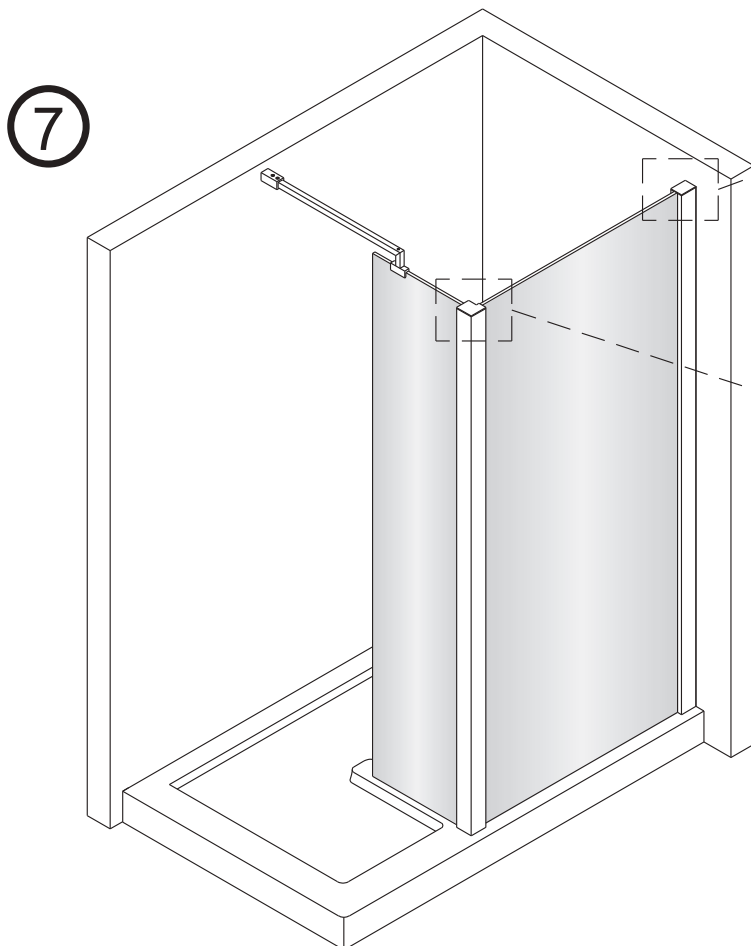
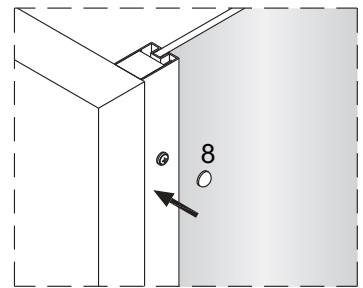
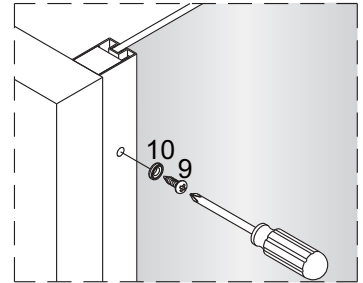
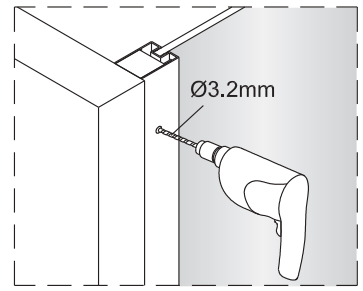
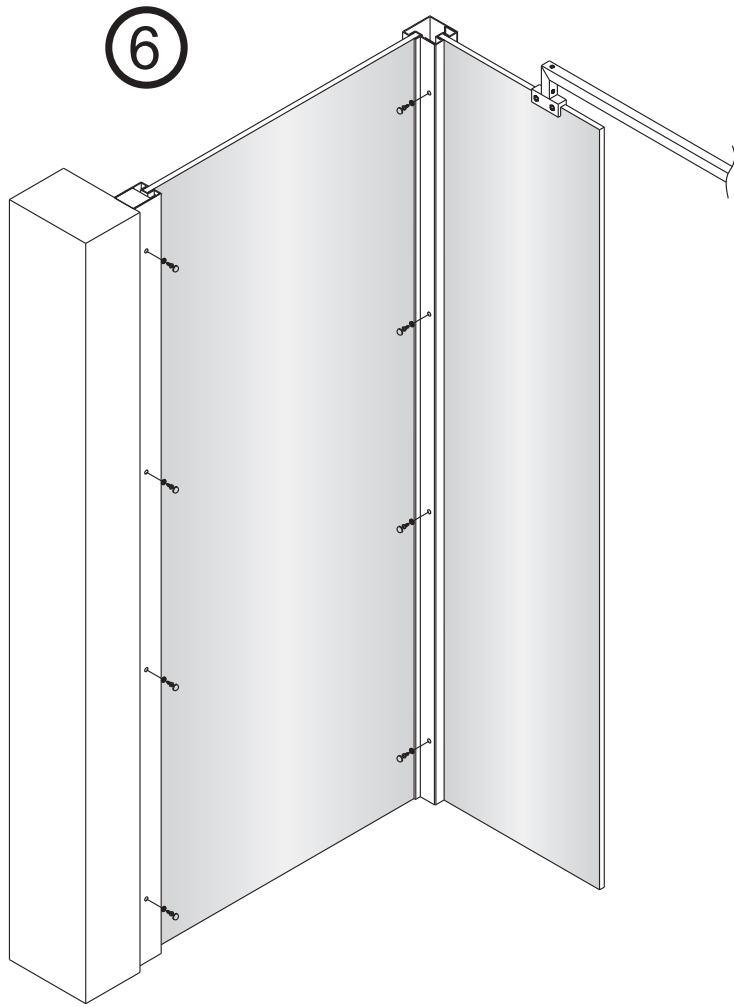
2



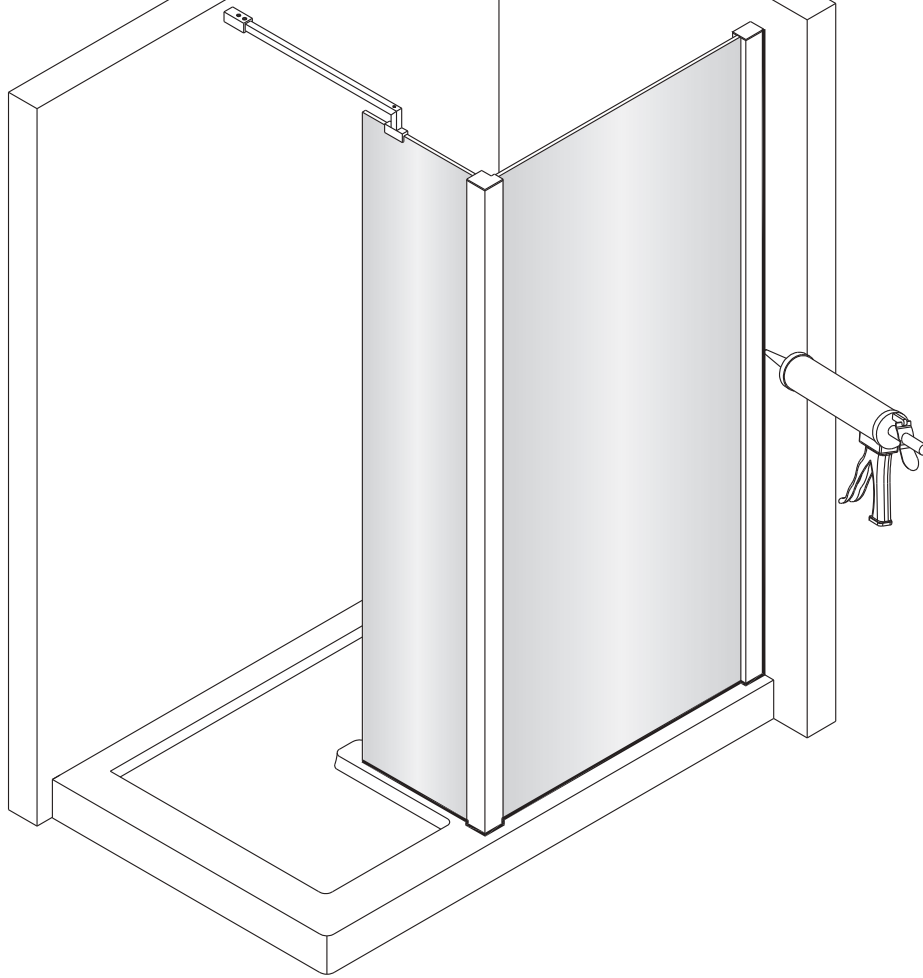


5



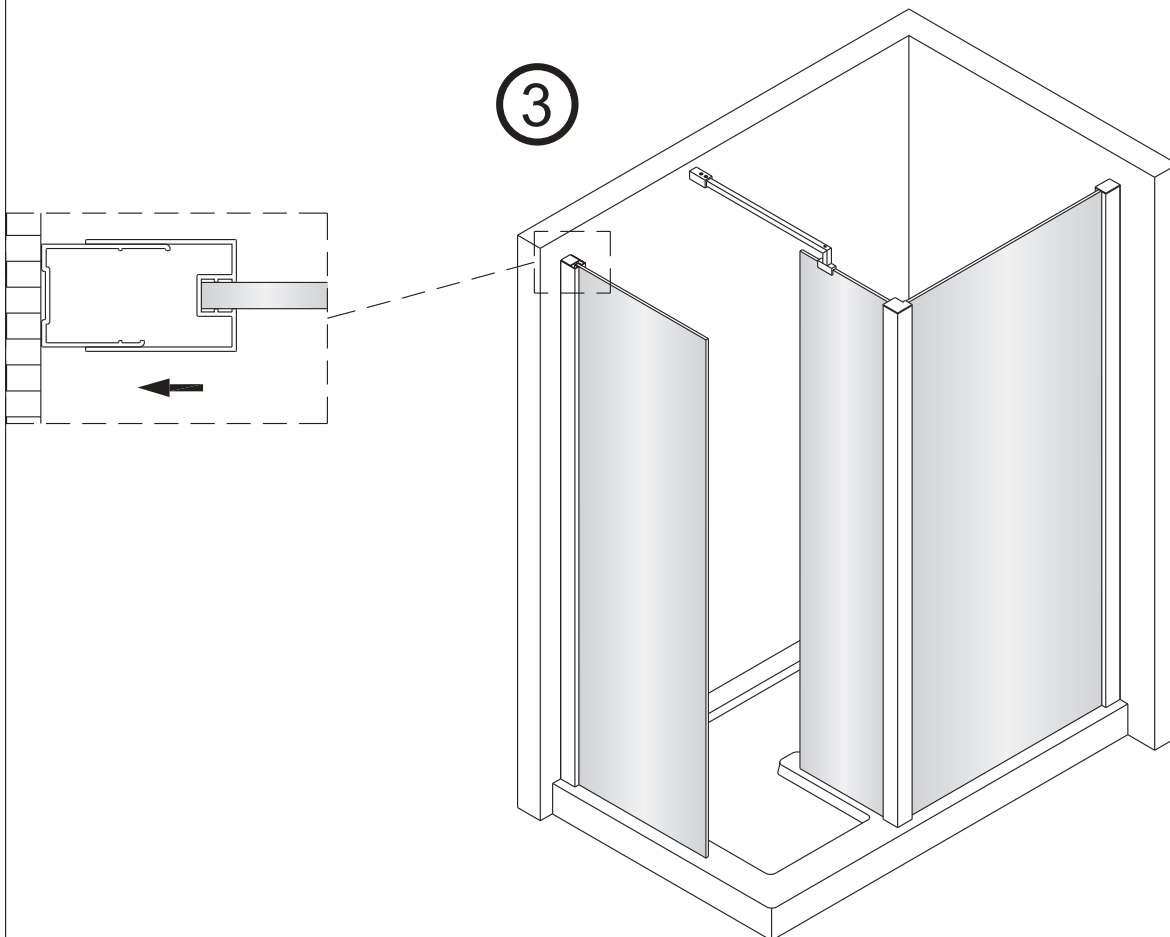
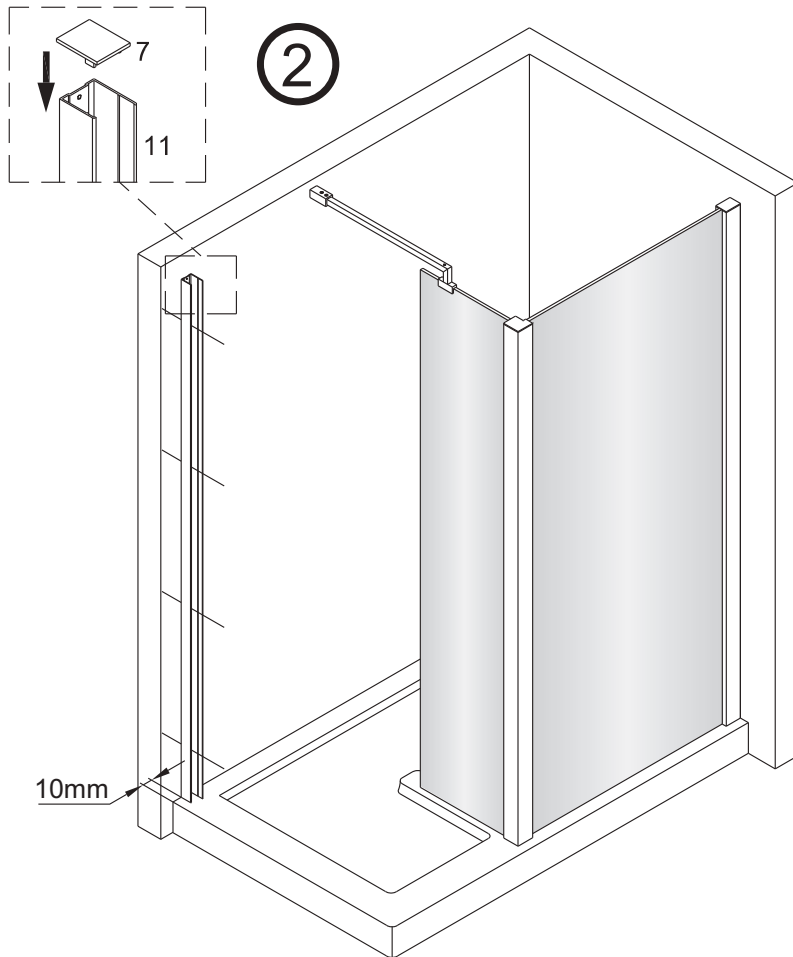
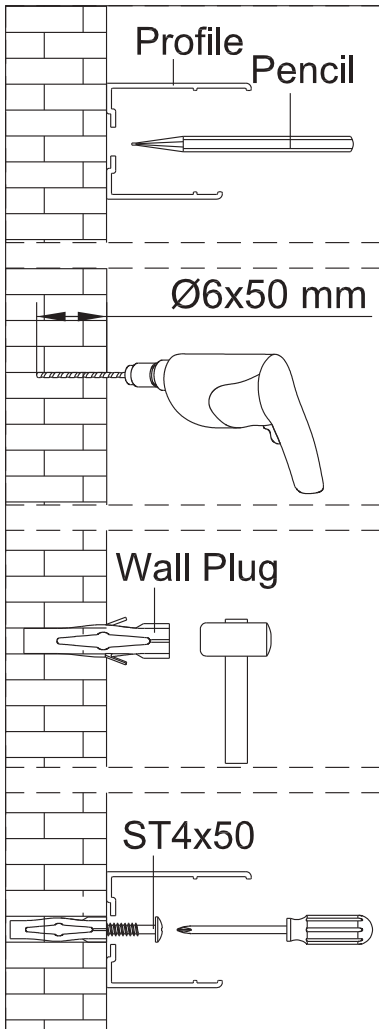


8

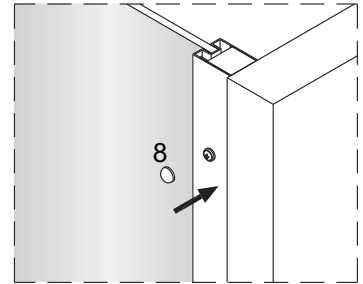
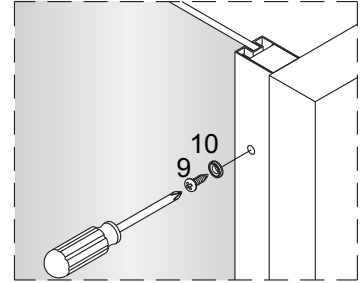
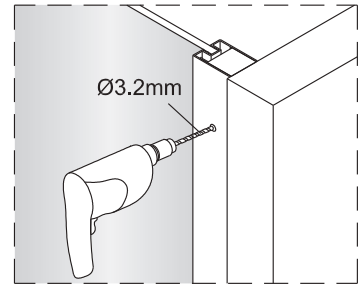
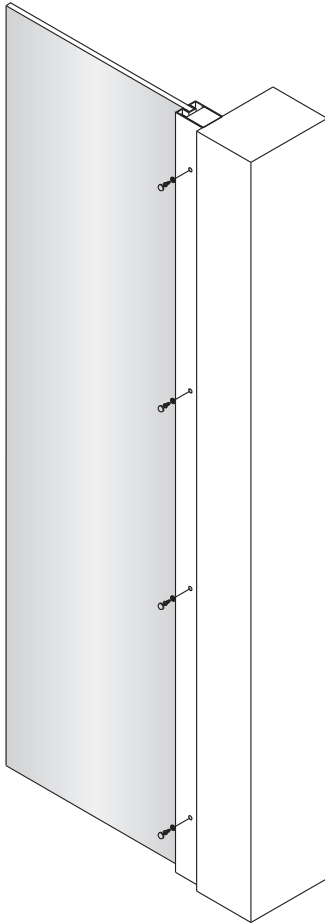
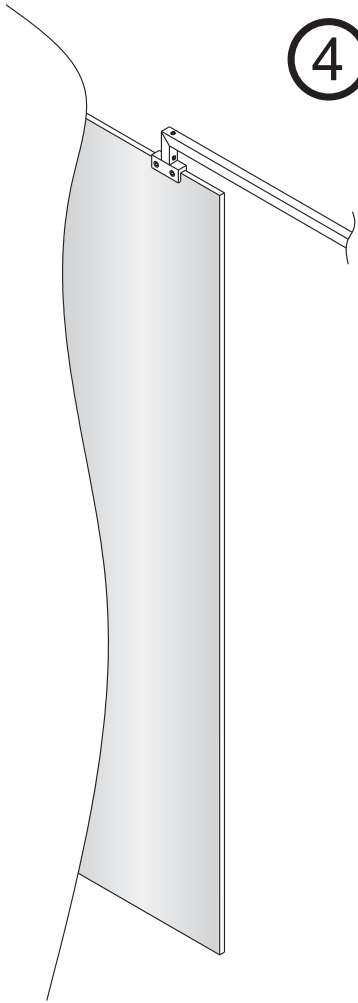


**SET B**

① **See step 1-7 of SET A:**



4



5

