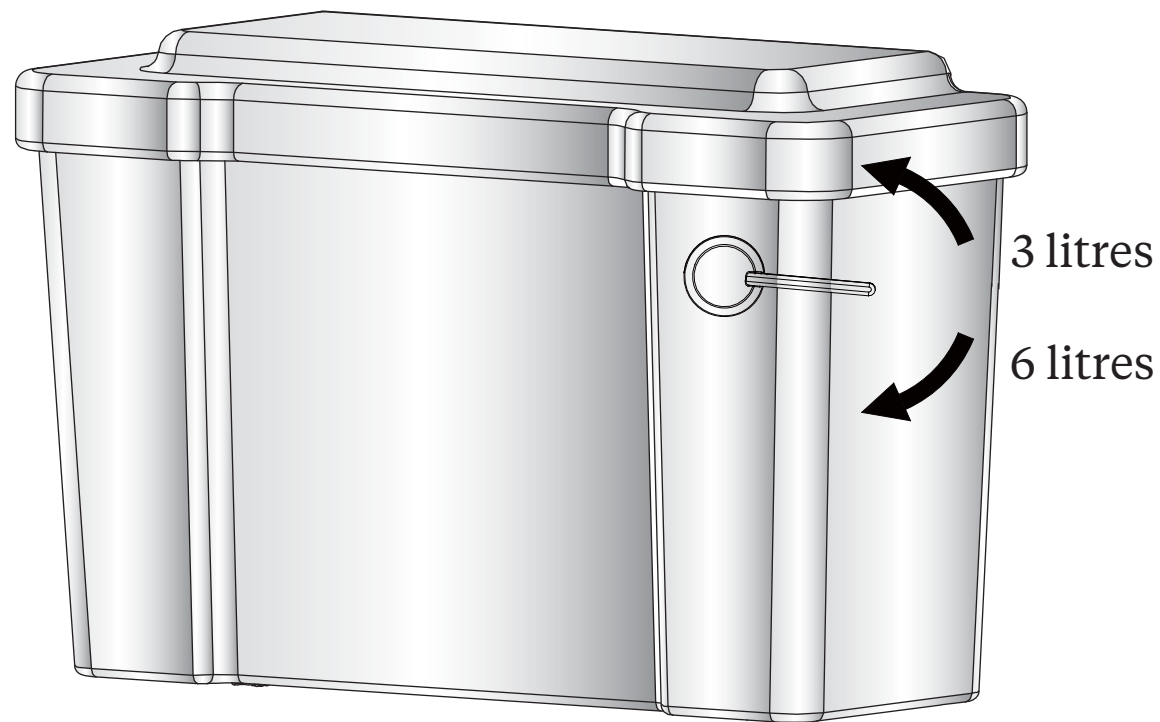
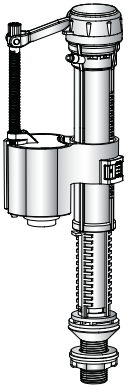
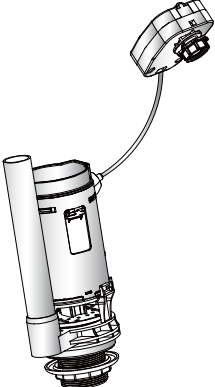
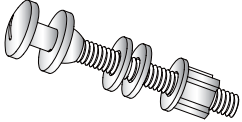





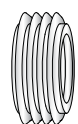


All WC's come with a 3/6 litre flush as standard which can be reduced to a 2.5/4.5 litre flush for the slimline cisterns
On the Close Coupled WC you must press the lever down lightly for the 6 litre flush and lightly lift the lever for the 3 litre flush



Please note that it is imperative that there are no loops or kinks in the yellow tube when installed and that the lever is not operated with excessive force as this will damage the cable inside the tube that lifts and lowers the flush valve causing the flush to fail beyond repair

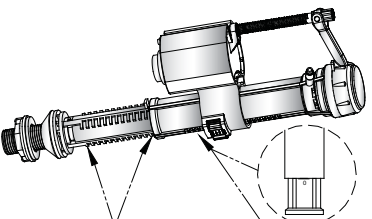
Parts supplied:

				
Inlet Valve	Flush Valve	Bolt	Rubber Doughnut	Fixing Nut
1x	1x	2x	1x	1x
				
		Lever	Plastic Washer	Cone Washer
		1x	1x	1x
				
			Flush Cone	
			1x	

- Please read these instructions carefully to avoid damage to the valves, and to ensure correct installation.
- Do not use bleach or bleach based cleaning products in the cistern, as these will cause damage to the seals. We cannot be held responsible or liable for any failure which results from the use of bleach based products.
- Water temperature range +2C to +45C.
- Water pressure 0.2 to 8 bar.

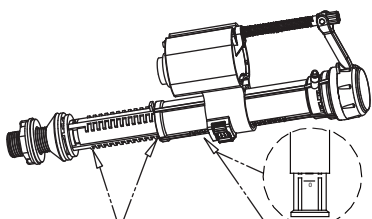
1: Inlet Valve scale and adjustment settings

6L/3L



Exposed "12" steps "0" scale

4.5L/2.6L

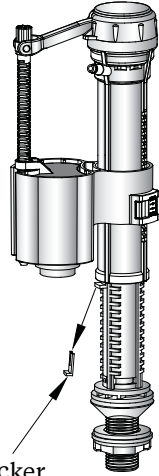


Exposed "12" steps "1" scale

Note:
The inlet valve is preset for 6L full flush and 3L half flush. The above diagram indicates the correct setting for 6L/4.5L full flush and 3L/2.6L half flush. For adjustment method, please refer to the right diagram.

A: Major water level adjustment

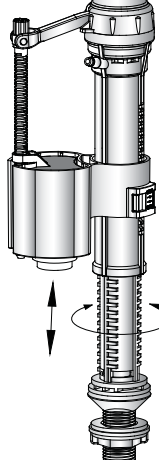
①



Locker

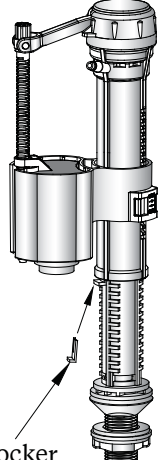
Take off locker

②



Loosen the inlet body by turning slightly anti-clockwise, Adjust it up or down to correct position and tighten clockwise.

③



Locker

Re-insert the locker

B: Minor water level adjustment

①

Slide the locker to "unlock" position, Move the stop float up/down.

②

To decrease the water level use a screw driver to adjust the level of the Stop Float (as shown). The float should be lowered.

To increase the water level use a screw driver to adjust the level of the Stop Float (as shown). The float should be raised.

NOTE:

Ensure the top surface of Stop Float is in line with the top surface of the Float Cup.

③

Slide the locker to the "locked" position

2: Inlet Valve installation

Tighten the nut after having adjusted the Inlet valve calibration as per page 1 & 2.

3: Filter cleaning (Please clean periodically)

①

Pull out the filter from the Inlet valve.

②

Clean by rinsing the filter.

③

Insert the filter back into the Inlet valve.

4: Inlet Valve trouble shooting

Problem	Reason	Solution
Incorrect water level	Incorrect adjustment.	Adjust the Water level correctly as per page 1 & 2.
Inlet Valve does not work	Water supply is closed.	Open the water supply
	The filter is blocked.	Clean the filter.
	The Stop Float has been over adjusted beyond its operational range.	Reconnect the Adjustment Rod, and adjust the water level as per A on page 1 .
Leakage	The Inlet Valve fixing nut has not been tightened.	Tighten the nut.

Flush Valve Installation And Problem Solving

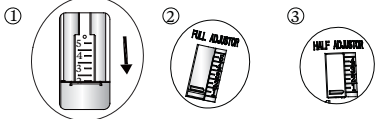
1: Flush Valve scale and adjustment setting

Note: The Flush Valve is preset for 6L full flush and 3L half flush.

The diagram "A" below indicates the correct setting for 6L full flush and 3L half flush.

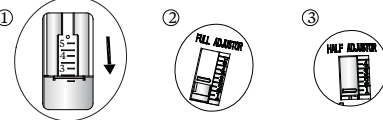
The diagram "B" below indicates the correct setting for 4.5L full flush and 2.6L half flush.

A

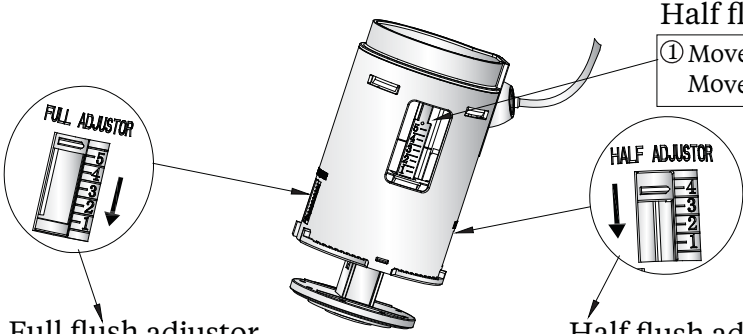


- ① Half Flush Float : should be set on the 2.5 mark
- ② Full Flush Adjustor : should be set on the 1.5 mark
- ③ Half Flush Adjustor : should be set on the 1 mark

B



- ① Half Flush Float : should be set on the 3 mark
- ② Full Flush Adjustor : should be set on the 3 mark
- ③ Half Flush Adjustor : should be set on the 1.5 mark



Half flush float

- ① Move float down, flush volume increases.
Move float up, flush volume decreases.

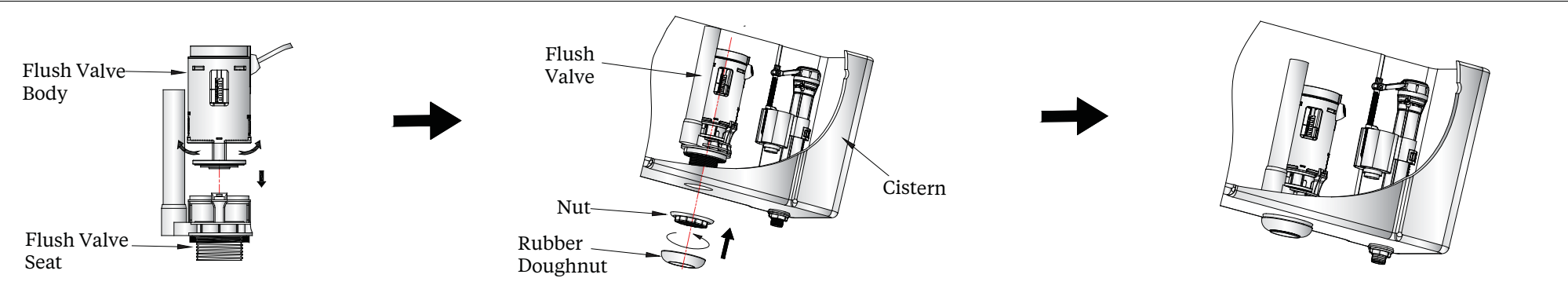
Full flush adjustor

- ② Move adjustor down, flush volume increases.
Move float up, flush volume decreases.

Half flush adjustor

- ③ Move adjustor down, flush volume increases.
Move float up, flush volume decreases.

2: Flush Valve installation



Flush Valve Body

Flush Valve Seat

Flush Valve

Nut

Rubber Doughnut

Cistern

3: Flush Valve trouble shooting

Problem	Reason	Solution
Leakage	<ol style="list-style-type: none"> 1. Incorrect installation. 2. Flush valve seat does not fit flush valve body. 3. Flush valve body is stuck. 	<ol style="list-style-type: none"> 1. Install again according to the correct installation procedure. 2. Install again. 3. Disconnet and wash flush valve body.
No flush, low flush or half flush volume	Cable is distorted.	Remove kinks or sharp bends in the cable.
Half flush water level is too high or too low.	Water level is adjusted incorrectly.	Adjust water level.

Close Coupled Cistern & Flush Level Installation

1: Install Close Coupled Cistern To Pan

* Please ensure the flush cone is in position before installation.

① Clamp the cistern and pan with the bolts as shown on the left.

② Install the cistern as shown and tighten the fixing nuts.

③ Connect the water supply to the cistern.

Water supply

2: Install Lever

Flush Button Box

Fixing Nut

Nut

Anti-rotation Washer

Lever

Pull

Plastic Washer

Rubber Washer

Insert the box and tighten the nut.

* Raise the lever so that it fits into the flush box in the correct position.

* Make sure the cable is not distorted or kinked.

* The fixing nut should be tightened as much as possible to avoid the cistern lever working loose during operation.

B Direction

Cistern Lever Hole

Slot In The Thread

B

* With the lever facing outward and the slot on the thread facing upwards, fix the lever to cistern.

Note:
After installation check that the full flush and half flush are working correctly. Please consult the trouble shooting pages if there are any problems.