

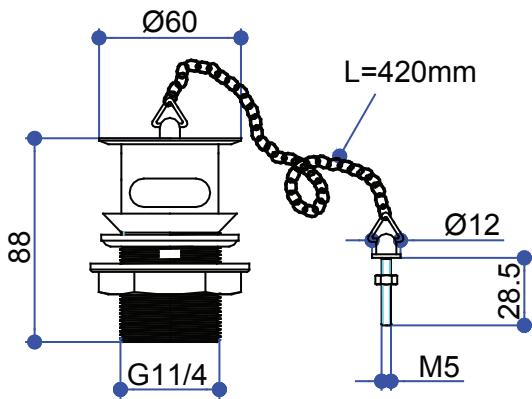
INSTALLATION INSTRUCTIONS

Basin plug & chain slotted - W1

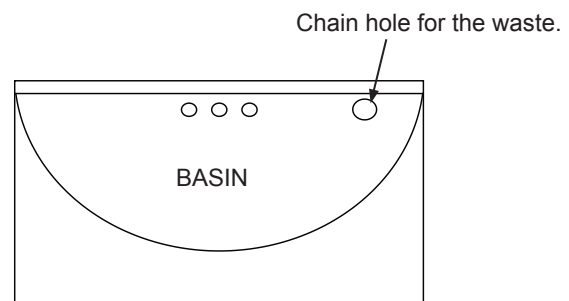
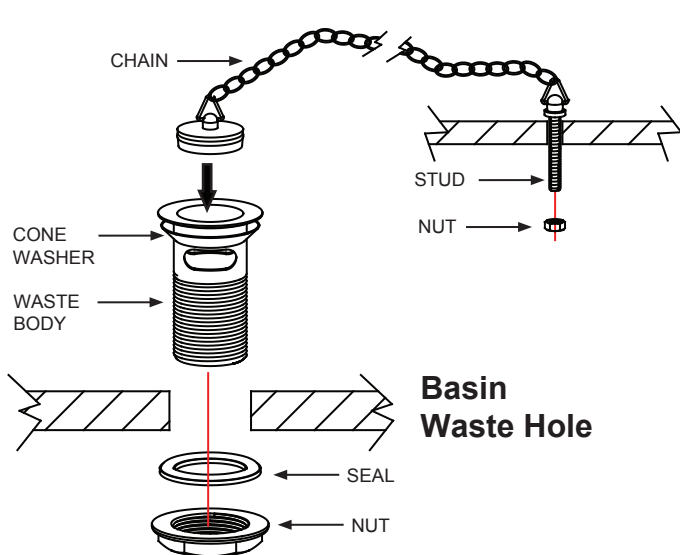
Important

- We recommend that this product is installed by a qualified professional contractor. Such as a plumber who is certified by NVQ (National Vocational Qualification) or SNVQ (Scottish National Vocational Qualification) Level 3
- Please check this product immediately to ensure that it has not been damaged and is complete. Before installation, please make sure this product is the correct model and you have all the parts required for installation and using.
- Please read these instructions carefully and keep it for future reference.

Dimension



Installation



- Remove the nut from the screw at the end of chain.
- Insert the screw into the basin waste chain hole, just near the 3 overflow holes.
- Put the nut back to screw and tighten it on the backside of basin.
- Insert the plug waste in the basin waste hole and tighten.
- Shear the chain if it's too long in your basin.

Maintenance

We do NOT recommend you use any household cleaners to clean the product. Because these cleaners change substance or formula too frequently. The product should be always cleaned only with soapy water and rinsed with clean water and dried with a soft cloth.