



**BATH/  
CO/**

# Vanity Installation Instructions

## Contents

Getting started	01
Required tools & materials	01
Vanity installation	01
Hinge adjustment	02
Soft close drawers	03
Trouble shooting	04
Plumbing recommendations	04
Cleaning & maintenance	04
Bath Co Warranty	05

---

## Getting Started

All goods must be checked prior to installation. If defects are found due to manufacturing faults then goods MUST NOT be installed. The merchant must inform the manufacturer.

If there is a proven manufacturing defect i.e. outside of tolerance and the installation is carried out then, the manufacturer will replace the item. However, the installation costs will be the responsibility of the installer.

When installing the cabinets – the drawers and doors may need to be adjusted, due to movement throughout carrying the goods. Please view the instructions below on hinge adjustment and drawer adjustment.

Any wall to which product is fixed must be of suitable construction to support that product's weight.

---

## Required Tools & Materials

- ✓ Spirit level
- ✓ Tape measure
- ✓ Screwdriver & screws
- ✓ Caulking gun
- ✓ Pencil
- ✓ Drill & bits
- ✓ Masking tape
- ✓ Silicone Sealant
- ✓ Cleaning materials

---

## Vanity Installation

**PLEASE READ CAREFULLY – IT IS RECOMMENDED THAT A QUALIFIED, LICENSED TRADES PERSON INSTALL YOUR UNIT. ENSURE INSTRUCTIONS ARE PASSED TO HOMEOWNER.**

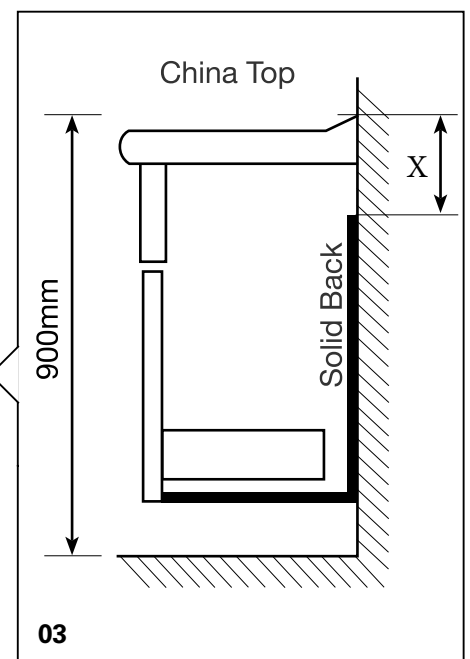
01. Prior to installation it is important to inspect the unit to ensure no damage has occurred in transit. If damage has occurred, or a visible defect exists, do not proceed with installation and advise supplier immediately.

Note: Manufacturer will not be liable for any installation, removal or re-decorating costs. The warranty will be null and void if damage occurred during or after installation.

02. Check the wall is straight, (not bowed or twisted). Ensure unit is square against the wall before securing. Door and drawer alignment could be affected otherwise.
03. For wall hung units: Decide appropriate height for top of unit, about 900mm. Measure distance from top of unit to top of solid back allowing for the china top. Mark this distance down from total height allowed for unit, e.g. if distance from top to solid back is X mm, measure X mm down from the recommended 900mm (refer to image 03).

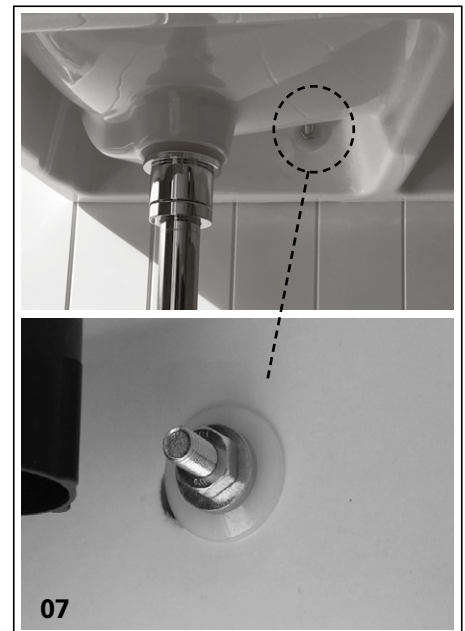
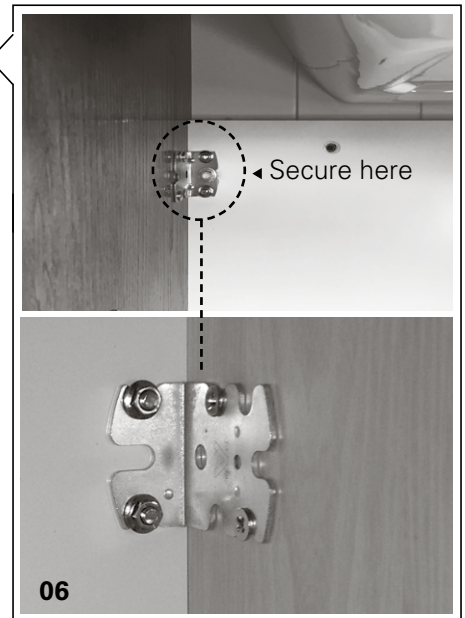
For Tall Cabinets with a hanging rail, measure from top of unit to bottom of fixing rail. Mark distance on wall as mentioned for solid back units. Fix bottom of hanging rail above mark.

04. Drill holes for pipes in base/rear of unit with appropriate size hole saws.
05. Position unit over pipes in correct position. Check level with spirit level.



- 06.** Securely fasten unit to wall through the back, no further than 100mm from end of cabinet. Upper fixings no lower than 50mm from top of back. It is a requirement to fasten the cabinet through the steel bracket in the top corner of unit (refer to image 06).
- 07. Tops with allowance for bolts must be fixed through bolt holes.** Tops without fixing holes should be secured with silicone only.
  - 7a. As ceramic tops are not perfectly flat (may vary up to 5mm), due to the manufacturing process, it may be necessary to pack the tops up to stop movement or avoid the doors or drawers binding. Up to a 5mm tolerance is acceptable.
- 08.** Seal all edges where water penetration may occur, i.e. between top, wall and floor etc. (Materials used in the construction of bathroom furniture are water-resistant not waterproof). Ensure silicone is used according to manufacturers' instructions. DO NOT use adhesive, this will void warranty.
- 09.** Where a separate basin is to be fitted it is essential that the basin must be centered over the cutout and be fully sealed to the cabinet and top to prevent any water penetration.
- 10.** Always fix separate shelf to drawer unit module with connectors, if ordered as a combination.
- 11.** Adjust doors/drawers if required, as there may have been some movement during transportation or installation, (refer to Hinge Adjustment). However, first check that the unit has not been twisted during installation.
- 12.** Tiles/Mirrors etc. surrounding the installation must provide adequate space for future removal of product if required. Tiles or mirrors must clear cabinet by at least 3mm. We recommend tiling behind furniture and ceramics.
- 13.** Light - Product should not be exposed to direct sunlight or heat-lamps etc as this could cause premature discolouration or fading.

*Recommendations for plumbing on page 04*



## Hinge Adjustment

It is the responsibility of the licensed installer to make any adjustments to align doors and drawers after installation if required.

**Note:** All fittings have been factory set and should not need adjustment. Check that the unit has not been twisted during installation before making adjustments. Drawer fronts on some models may be adjusted, if necessary refer to manufacturer.



Depth Adjustment



Height Adjustment



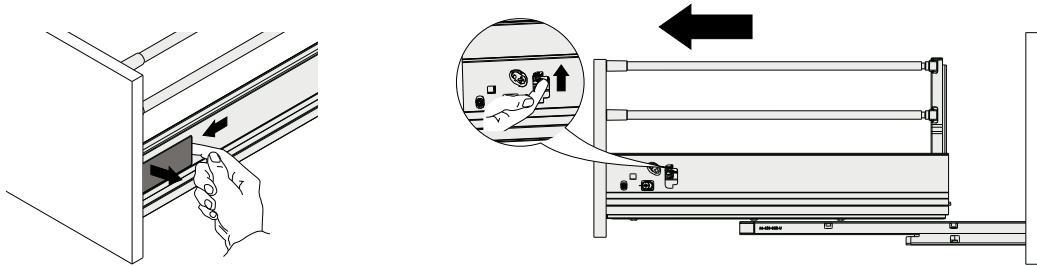
Side Adjustment

# Soft Close Drawers

When a cabinet has soft close drawers, the drawers will need to be removed prior to installation of the cabinet. Please view the following instructions on how to remove the drawers.

## Removal

When you pull the drawer out you will notice a grey label on each side of the drawer (as per below diagram). When the label on each side is removed – it will reveal a small lever on each side of the drawer. Both levers are to be pulled up at the same time, then slide the drawer out slowly towards you.



Remove cover cap

Release drawer from the slide, pull out the drawer  
**(Failure to do this will damage the drawer running mechanism)**

## Drawer re-installation

Push runners into cabinet, place drawer body on runners and push in firmly. Two clicks should be heard as drawer sides click into place. Replace drawer front as per reverse of diagram above.

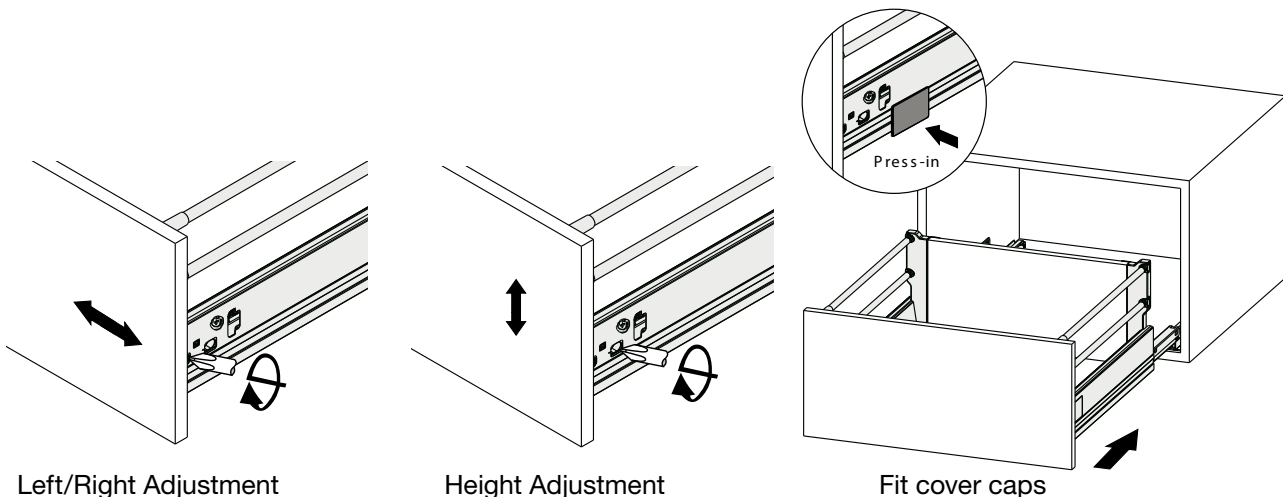
## Engaging the soft-close mechanism

Put the drawer back in half way – close the drawer. Then pull the drawer back towards you. Underneath the drawer you will feel a small tab. This is on each side of the drawer. Pull the tab towards you and at the same time push the front of the drawer back. This will engage the soft close mechanism.

## Adjustment

Check the unit is square on the wall before making adjustments.

Adjust drawer rails to ensure top and bottom drawer face align giving a flush close. Clockwise = in, anticlockwise = out.



Left/Right Adjustment

Height Adjustment

Fit cover caps

---

## Trouble Shooting

### **What happens if my soft close drawer is not closing properly?**

It means that your soft close drawer is not engaged correctly. Follow the instructions on page 03 to re-engage the soft close mechanism.

### **Why is my soft close drawer making a noise on closing, and not closing smoothly?**

If the release tabs on the drawer are not lifted properly, then this may cause the cog to strip on the soft close mechanism. Please contact Bath Co Customer Services for a replacement. This is not covered under warranty.

### **What are the dimensions of the cabinets – internal and external?**

All dimensions can be found on our website – [www.bathco.co.nz](http://www.bathco.co.nz) or in our brochures.

### **Can I get an extra tap hole in my vanity top?**

Yes – most tops we can put an extra tap hole in. This can be done at an extra cost of \$60.00+GST per tap hole.

### **How to cut out a sink hole in Kordura surfaces?**

These hybrid solid surfaces hold colour throughout and can be easily cut or drilled with a router, jigsaw or holesaw.

---

## Plumbing Recommendations

- » Single drawer units are designed to be plumbed with a bottle trap.
  - » Waste is not to be over-tightened to avoid stress on basin or top.
  - » A Contoured waste complete with a washer set top and bottom must be used on all basins so as not to void the warranty
  - » We do not recommend the use of silicone when installing the contoured waste.
  - » Basin overflow must line up with waste opening.
  - » Waste overflow hole opening must not be blocked by sealant.
  - » Basins with fixing holes must be bolted back to the wall separately from the vanity unit.
- 

## Cleaning & Maintenance

- » To maintain the finish on your unit and top, only use a soft cloth, or a weak solution of non-abrasive detergent. Do not use cleaners that incorporate isopropyl alcohol. Polymarble tops should only be cleaned with soapy water and a soft cloth.  
Kordura Surfaces: Regular cleaning is recommended. Use soapy water and a soft cloth when cleaning surface. Do not use product with high alkaline & ph levels. Contact Bath Co directly to provide guidelines to polish scratched and heavy stains.
- » To restore accidental scratches, burns etc. on gloss painted finishes, rub gently with a very light cutting compound. On matt or timber finishes contact the manufacturer.
- » Mirrors should be cleaned with diluted methylated spirits only (dilute 1:10).  
Remove all moisture caused by splashes, wet hands, or steam with a chamois or soft cloth after use.  
Do not wipe the exposed edge of the mirror.
- » To avoid deterioration; it is important mirrors are kept dry of any moisture.
- » Bath Co warranty on mirrors applies for one year from the date of purchase.

---

# Bath Co Bathroom Furniture Warranty

## General Warranty Statement

Smail & Company Limited (Smail & Co) warrants that in the manufacture of its Bath Co products only high quality workmanship and materials have been used. The following warranty applies to Bath Co products supplied to customers in New Zealand, for use in residential installations only.

Subject to the warranty conditions, in addition to any other right or remedy that the purchaser may have under any relevant consumer protection legislation, Smail & Co undertakes to either **repair or replace** (at its discretion) any Bath Co product if that product contains a **material defect** with either **materials or workmanship** which arose in the **course of manufacture**.

## Residential Warranty

- In relation to the following products bathroom vanities, basins, tops, baths, toilets, showers, tapwares a **5-year warranty** applies to from date of purchase.
- In relation to the following products shower hoses, shower heads, cartridges, mirrors, cistern fittings, wastes, toilet seats, electrical, face plates, washers, valves and shower seals a **1-year warranty** applies to from date of purchase.
- In relation to the following products in-wall cisterns (excluding items listed above) a **15-year warranty** applies to from date of purchase.

## Commercial Warranty

In relation to any Bath Co products installed in a commercial situation a **1-year warranty** applies from the date of purchase. Commercial situations are defined as public washrooms, public buildings, schools, sports centres, gymnasium, hospitals, motels, hotels and retirement villages.

## Warranty Conditions

Smail & Co's domestic/residential warranty and commercial warranty is subject to the following conditions:

1. Proof of purchase (such as invoice or receipt) must be provided by the initial purchaser. This warranty is not transferable.

2. All Bath Co installation instructions must have been strictly followed and the product must have been installed in accordance with the relevant New Zealand Building/Plumbing Codes by a certified building or plumbing practitioner (as appropriate for the product).
3. The product must not have been subject to excessive wear and tear. The warranty only covers normal use and typical wear and tear.
4. The product must not have been tampered with or repaired in any way other than in accordance with this warranty.
5. The product must not have been damaged by misuse, accident or neglect, including water damage, sunlight, excessive water temperature, humidity, direct lighting or other adverse environmental conditions.
6. Harsh detergents or abrasive cleaners must not have been used on the product and the product must be cleaned in accordance with the recommended cleaning methods.
7. All warranty covered repair work is to be performed by Smail & Co but Smail & Co shall not be responsible for the cost of removal or installation of the product.
8. Smail & Co shall make the final determination on any issue or uncertainty regarding the application of this warranty.
9. If you acquired the Bath Co product in trade (or some other exception exists under the Consumer Guarantees Act 1993 (the Act) then the Act shall not apply.

**If the above conditions are not met, the warranty will be null and void.**

Smail & Co shall not be liable to the purchaser for any loss, damage (direct, indirect or consequential), cost or expense incurred by the purchaser (including, without limitation, any damage to other products and/or labour costs incurred in the installation, repair or replacement of the product) other than in accordance with the above warranty, under any relevant consumer protection legislation or as consented in writing by Smail & Co in advance of the cost being incurred.