

# SINGLE DRAWER MOODE.

*Michel César*

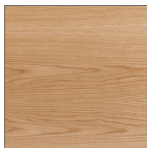


- + Three top thickness' available: Fine (12.6mm), Standard (25mm), and Deep (70mm).
- + Paint — The paint used on our products is polyurethane or UV based. It is five times harder and more durable than lacquer finishes. Hundreds of gloss colour options available.
- + Timber finishes — Our timber finishes are available in Dark Oak, Natural Oak, White Oak, Walnut, Noce, Chestnut and Tussock. Being 100% natural products, each will have variations in grain and colour. All come stained and sealed with a protective UV finish. Gloss option is available for most veneers.
- + Also available with double drawer.
- + Top made of a composite acrylic. Prices are for white but other colours include; porcelain, concrete, night, carrera and black storm.
- + Many basin options.

## Vanity Finishes



Dark Oak



Natural Oak



White Oak



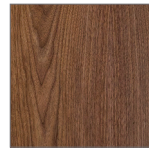
Noce



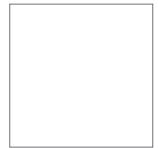
Walnut



Chestnut



Tussock



White Paint Finish

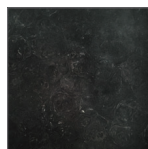
## Acrylic Top Finishes



White

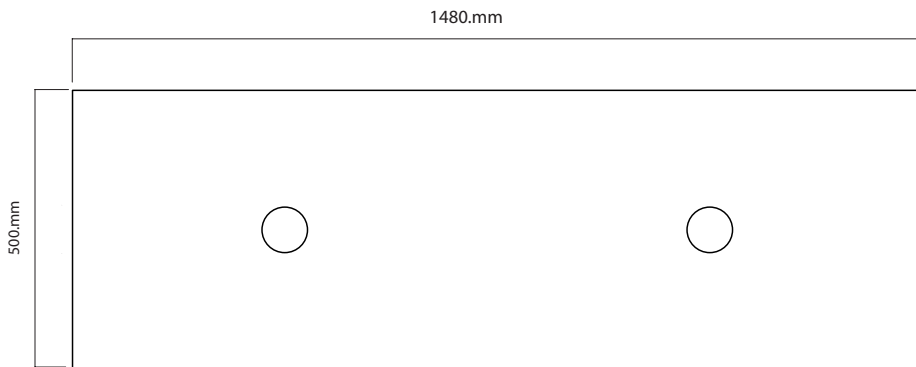


Carrera



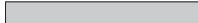

Strome

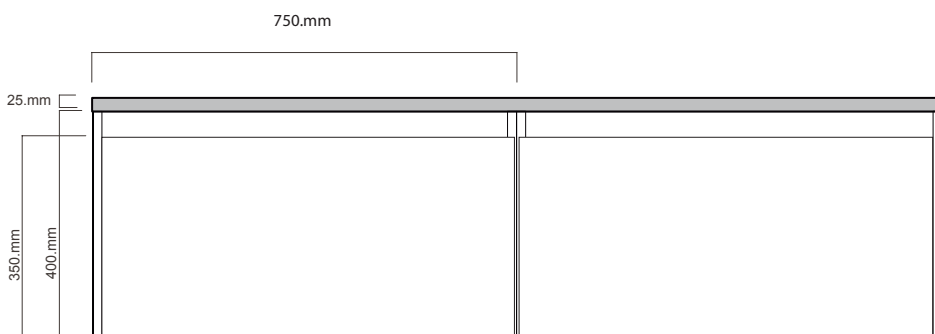
Note: Walnut Finish not available for vanity with Vertical Grooves



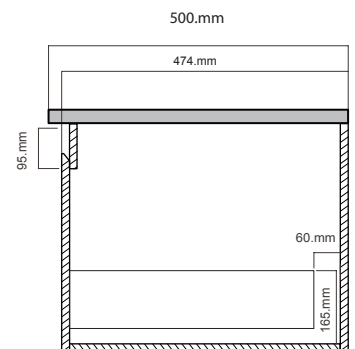
TOP VIEW

Top is available in 3 thicknesses

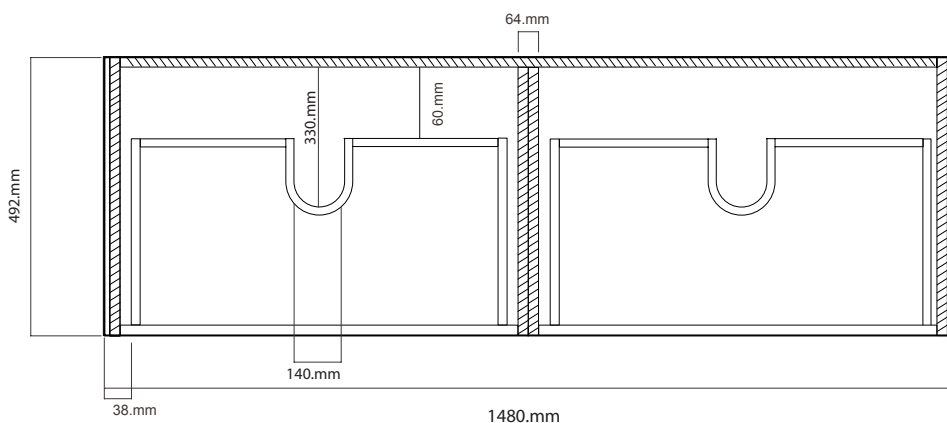
-  F- 12.6 mm
-  S- 25 mm
-  D- 70 mm



FRONT VIEW



SIDE VIEW



DRAWER

**SINGLE DRAWER**

**MOODE.**

MD150D2DBA  
MD150D2TDBA

Description: Moode  
1500, 2 Drawer, 2  
Bowl, White/Timber  
Venner

Note: Drawings indicate the technical measurement only and is not a reflection of how the unit will look.