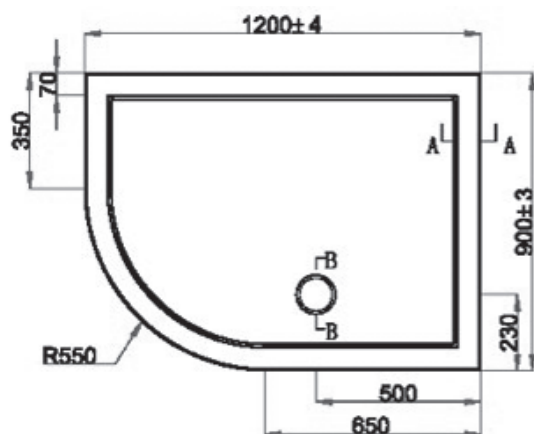


BSF-1290R / BSF1290L

# QUADRANT SHOWER TRAY

vcboc  
FOR BATHROOMS



NB: Drawings indicate the technical measurements only and is not a reflection of how the unit will look.

## BSF-1290R / BSF1290L QUADRANT SHOWER TRAY

- Dimensions - W1000mm H35mm D 900mm
- Our range of light weight shower trays have been designed with the best quality materials and a contemporary look.
- All trays come with an easy clean waste & sealing tape.
- Available as a right or left hand curve.

# SHOWER TRAY

## INSTALLATION INSTRUCTIONS

### Tools Required:

Spirit Level  
Mastic Gun  
Sharp Knife  
Adhesive Tube (Showerbond)  
Sealant Tube

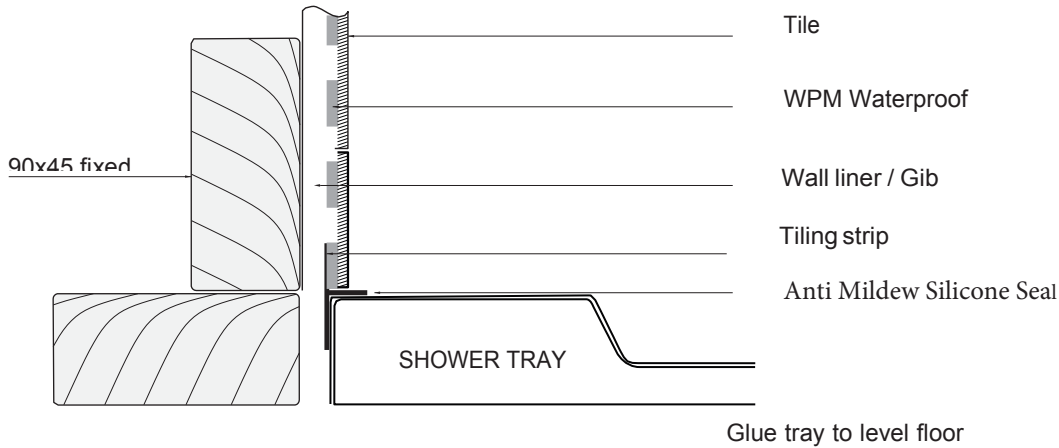
### Instructions:

1. Remove components from packaging (leave on protective film) , and check over all components delivered to site for freight damage, or product faults. Products installed with existing damage, or faults, become the responsibility of the installer. Check that all components necessary to complete the installation have been delivered to site.
2. Check the installation area for levels, and correct drainage waste whole position. Place tray on the area, and check levels again. If necessary, use floor levelling compound to bring the area to a level surface, prior to installing the tray. Ensure any large voids are filled, such as waste pipe channels, etc, prior to levelling compound being used. Trays installed out of level may not drain properly, and also make shower door installation difficult.
3. Check the position of the tray on the level surface. Shower trays with factory fitted upstands should be packed out from the bottom wall plate approximately 4-5mm to ensure a good seal between the upstand and the acrylic wall liner, PROIR to water resistant wall linings installation (Aqualine Gypsum Board). Shower trays using the Sealing Strip need to be installed AFTER the Gypsum Board is installed, and adhered to the board, as a final step, once the tray is installed in position, and adhered in place.
4. Remove any protective film from around the base of the tray (leaving the top surface in place), trimming the film with a sharp knife, if necessary (BE CAREFUL NOT TO SCRATCH THE SURFACE OF THE TRAY WITH THE KNIFE BLADE!). Turn the tray upside down on a protective surface, and apply sealant around the waste whole area of the tray. Apply adhesive to the base of the shower tray, ensuring good even coverage across the area of the tray (DO NOT use solvent based construction adhesives; this will void the product warranty).
5. Turn the tray over, and place into the final position, checking the final position is completely correct, as are the adhesive cure, it cannot be moved. Position a weight, e.g.; a 10/20 litre bucket of paint, on top of the tray to hold it in position, while the adhesive cures, ensuring a good even spread of weight across the surface of the tray. Attach the top part of the waste, applying extra sealant as necessary, to the inside of the shower tray waste hole (NOT the waste component itself).
6. Leave overnight, as a minimum, before installing shower doors & acrylic wall lings.

# SHOWER TRAY

## INSTALLATION INSTRUCTIONS

### Installation of an acrylic shower tray with tiling strip



### VCBC shower installation with a factory fitted upstand for an acrylic liner or a tiled wall

