

SP90D2WHX/SP90D2WHXM

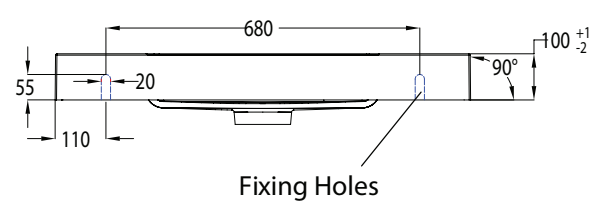
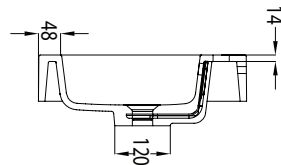
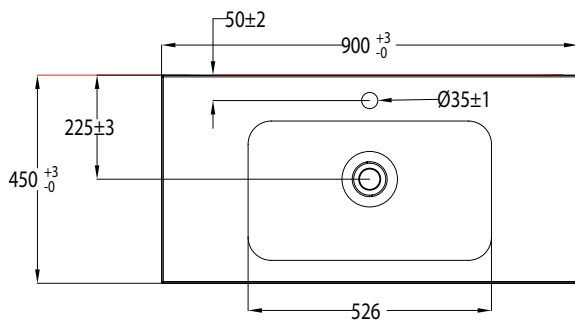
# SPLASH

900, 2 DRAWERS, Extra Deep

vcboc



Basin



SP90D2WHX/SP90D2WHXM  
Splash 900, 2 DRAWERS, Extra Deep

- Dimensions - W 900mm H 750mm D 450mm
- Paint - The paint used on our products is polyurethane or UV based. It is five times harder and more durable than lacquer finishes. White only.
- TIMBER EFFECT (Melamine)- Our woodgrain melamine is a low pressure laminate.

## FINISHES



