

DOUBLE DRAWER

EDGE.

Michel César

EG106D2LH/EG106D2TLH



Product Feature

- + Paint — The paint used on our products is polyurethane or UV based. It is five times harder and more durable than lacquer finishes. Hundreds of gloss colour options available.
- + Timber finishes — Our timber finishes are available in Dark Oak, Natural Oak, White Oak, Walnut, Noce, Chestnut and Tussock. Being 100% natural products, each will have variations in grain and colour. All come stained and sealed with a protective UV finish. Gloss option is available for most veneers.

Vanity Finishes



Blonde Oak

Natural Oak

White Oak

Noce

Walnut

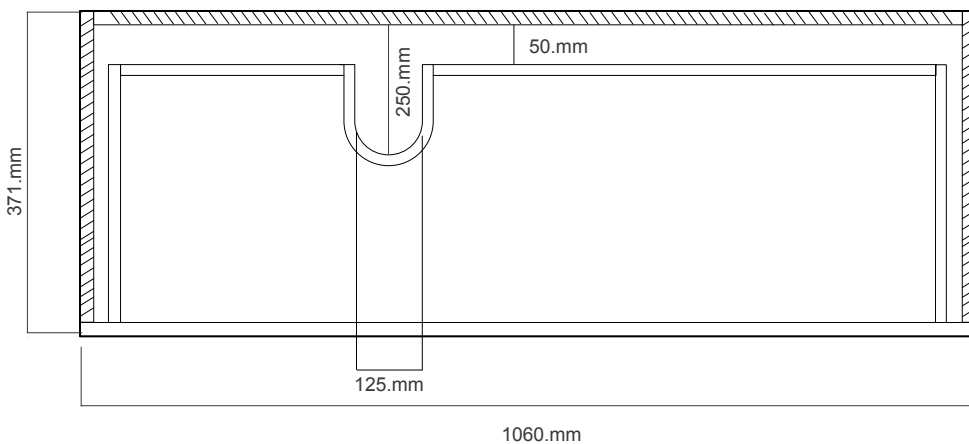
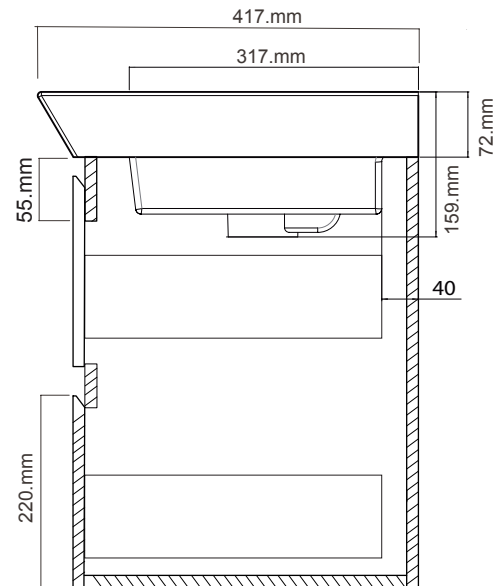
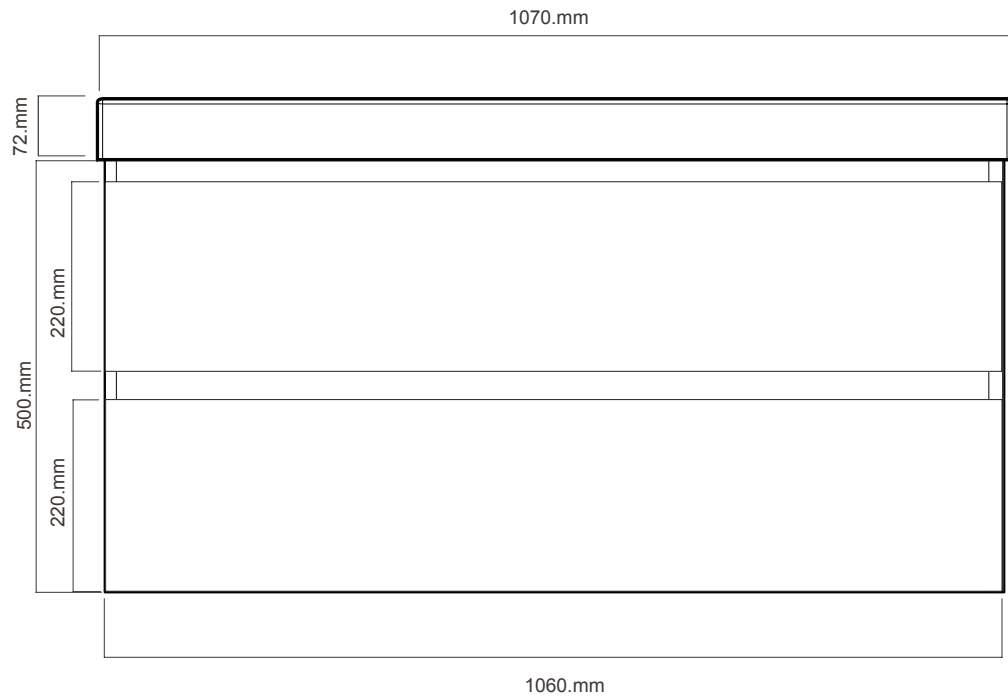
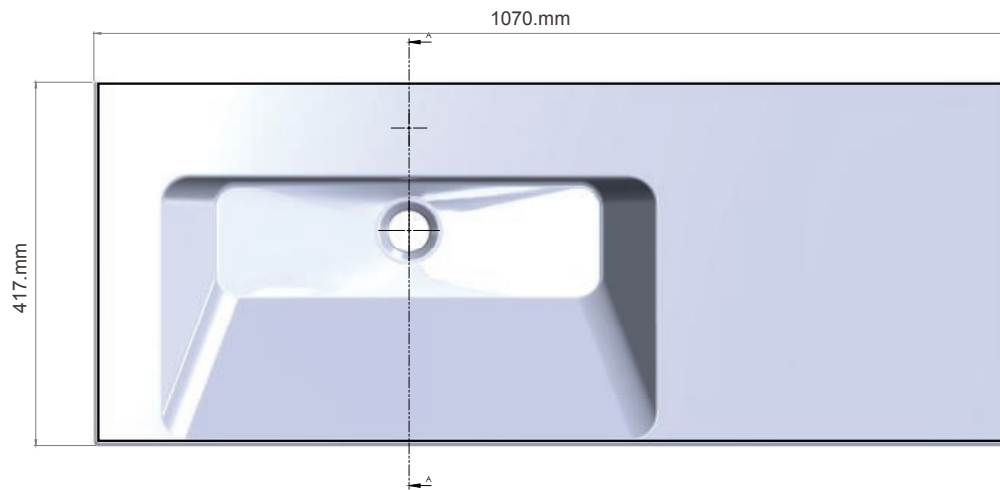
Dark Oak

Chestnut

Tussock

White Paint
Finish

NEW



DOUBLE DRAWER

EDGE.

EG106D2LH/EG106D2LH
2 Drawers, White/Timber

Note: Drawing indicate the technical measurement only and is not a reflection of how the unit will look.