

STAINLESS STEEL TUB

LAUNDRY

DESCRIPTION

Stainless Steel Laundry Tub

PRODUCT CODE

5045

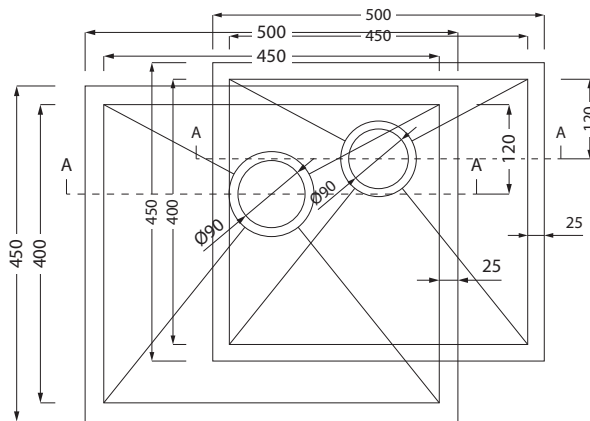


FEATURES

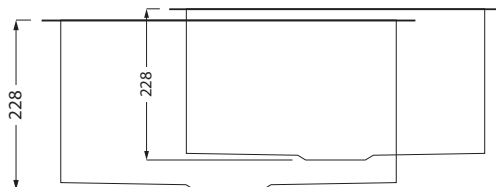
- Dimensions - W 500mm x H 228mm x D 450mm
- Fully integrated undermount stainless steel laundry tub. With its clean lines and a seamless surface make it a breeze to clean.
- Include a convenient waste basket to trap small objects.
- Pair it with any of our Laundry Cabinets available in a variety of sizes and finishes.
- NB: Designed for laundry cabinets only (not to be sold separately).
- NB: Tapware not included.

TECHNICAL DRAWINGS

Top



Front Section AA



NOTES

Sizes approximate. All drawings in millimeters.

Drawing indicates the technical measurement only and is not a reflection of how the product will look.