

Curve Corner

vcbc

DESCRIPTION

Curve Corner 1700 Acrylic Bath - Right Side Curve

PRODUCT CODE

15.B.27819

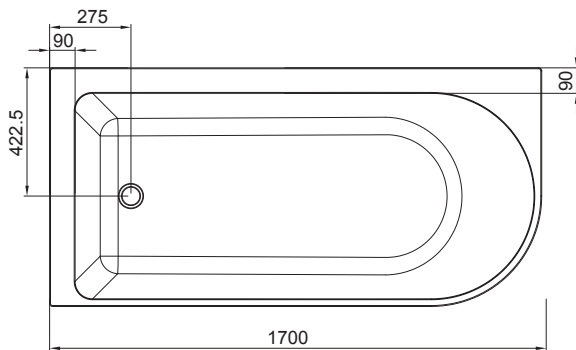


FEATURES

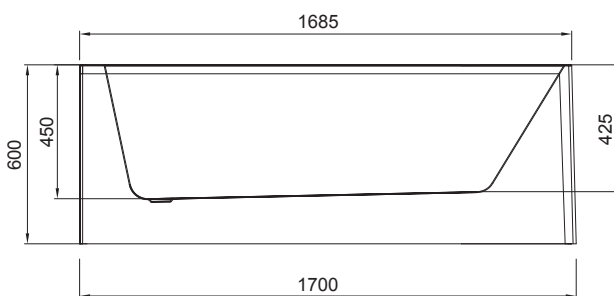
- Dimensions - L1700 x H610 x W800 mm
- Available in left or right side curve.
- Weight: 46kg
- Made from an acrylic that has a sensual surface with excellent thermal properties. It is able to retain heat and warm to touch.
- Includes overflow & pop-up waste.

TECHNICAL DRAWINGS

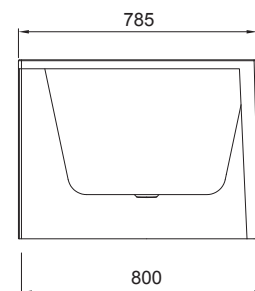
Top



Side Section



End Section



NOTES

Tapware and accessories not included. Drawing indicates the technical measurement only and is not a reflection of how the unit will look. Sizes are nominal only. All drawings in millimeters. Drawings not to scale. September 2019.