

E45D2WH/E45D2WHT ERIKA PRO.

Michel César
bathroom collection



450 Wall Hung, 2 drawer

+ Dimensions — **W** 450mm **H** 465mm **D** 380mm

+ Paint — The paint used on our products is polyurethane or UV based. It is five times harder and more durable than lacquer finishes. Hundreds of colour matches available.

+ Timber finishes — Our timber finishes are available Dark Oak, Natural Oak, White Oak, Walnut, Noce, Chestnut and Tussock. Being 100% natural products, each will have variations in grain and colour. All come stained and sealed with a protective UV finish.

Finishes



Dark Oak

Natural Oak

White Oak

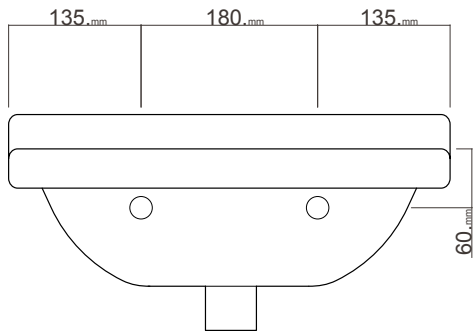
Noce

Walnut

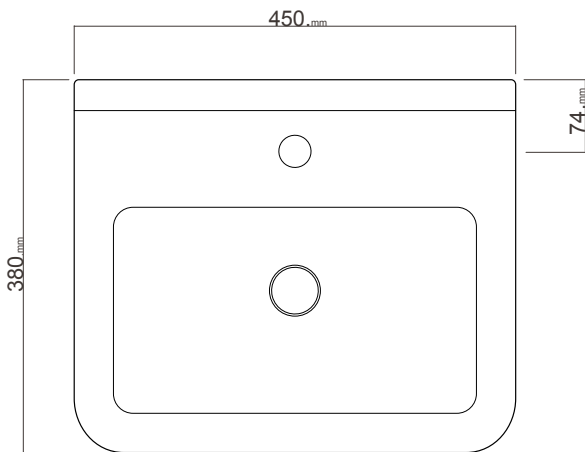
Chestnut

Tussock

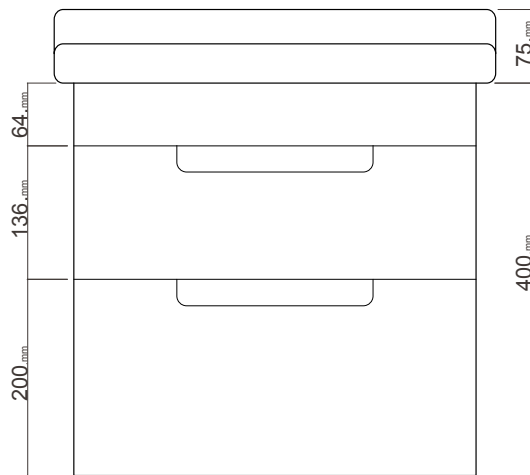
White Paint Finish



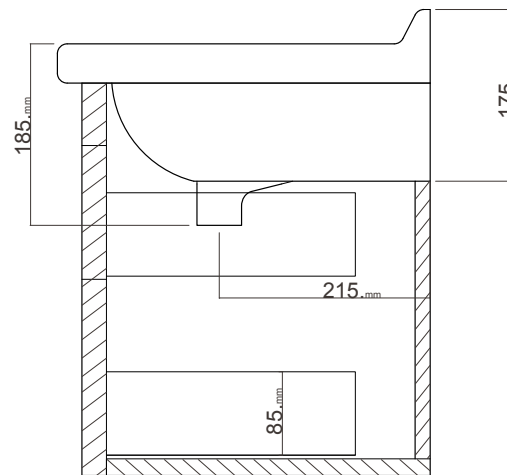
BACK WASHBASIN



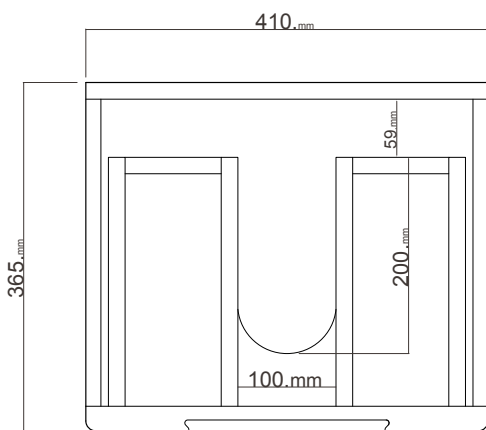
TOP VIEW



FRONT VIEW



SIDE WASHBASIN



TOP DRAWER VIEW

Erika Pro

CODE: E45D2WH

CODE: YXBJ01 BASIN

DESCRIPTION : Erika Pro Vanity 450 Wall Hung,
Two Drawer White, With Erika
Pro Ceramic Basin