

450 CABINET /

LAUNDRY

DESCRIPTION

450 Laundry Cabinet, 2 Drawers

PRODUCT CODE

VLUA45D2 / VLUA45D2M / VLUA45D2T

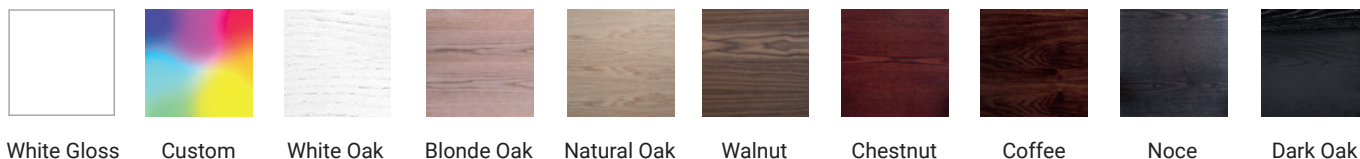


FEATURES

- Dimensions - W 450 x H 895 x D 590mm
- Available in White Gloss Paint, Timber Veneer, Melamine or Custom Colour Paint.
- The paint used on our products is polyurethane or UV based. It is times harder and more durable than lacquer finishes.
- Timber Veneer - Finishes are 100% natural, so has variations in grain and colour. All come stained and sealed with a protective UV finish.
- Melamine - Our wood grain melamine is a low-pressure laminate.
- NZ-made cabinetry.
- Handle Options - Melamine unites feature a recessed rail, available in Silver, Black or Melamine match. Timber Veneer, Custom Colour Paint & White Gloss painted units have concealed 45° Handles.
- Kordura top (H 25mm), tub and accessories all sold separately.

FINISHES

White Gloss Paint / Custom Paint Colour / Timber Veneer



Melamine



Please see reverse for technical drawings and measurements.

NOTES

Measurements exclude Kordura top (allow H 25mm). See our website for product prices. Drawing indicates the technical measurement only and is not a reflection of how the product will look. Sizes are nominal only. All drawings in millimeters. Drawings not to scale. March 2023.

450 CABINET /

LAUNDRY

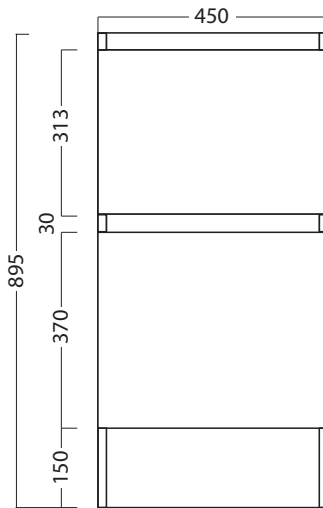
TECHNICAL DRAWINGS

450 Laundry Cabinet, 2 Drawers

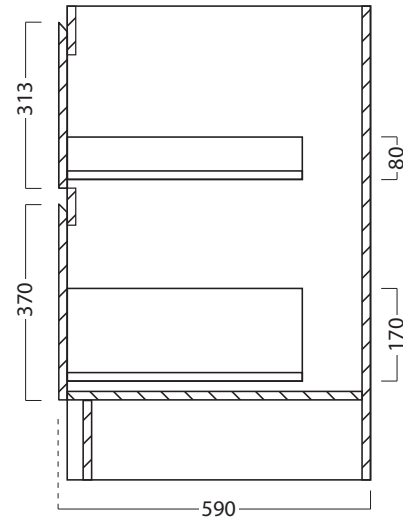
PRODUCT CODE

VLUA45D2 / VLUA45D2M / VLUA45D2T

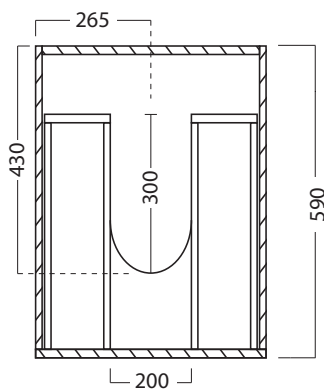
Front



Side Section



Top Section



NOTES

Measurements exclude Kordura top (allow H 25mm). See our website for product prices. Drawing indicates the technical measurement only and is not a reflection of how the product will look. Sizes are nominal only. All drawings in millimeters. Drawings not to scale. March 2023