

JEE-O TAPWARE

Michel César

DESCRIPTION

Jee-O Soho 02 Shower Stand, Black

PRODUCT CODE

400-7400



FEATURES

- Dimensions: W 215 x H 2300 x D 535 mm
- Coating: Hammercoat black matt (1.5) Electro powder spray
- Material: Stainless Steel r304
- Flow at water of 38°C /100,4°F: 10l /2,6gal p/m at 3bar pressure
- Flexhose: 150 cm length
- Cleaning: Vinegar and alcohol
- Connection: 2 x G ½" (ø15mm / 0.6"), nylon (out) / epdm (in) flexhose with brass swivel
- Thread: British Standard Pipe (BSP)
- Total weight: 19.4 kg
- Place on a water-tight floor

NOTES

Please see following page for technical drawings.

MICHEL CÉSAR
VCBC
BURLINGTON
LAUNDRY

/ WHERE BATHROOMS
& LAUNDRIES
COME TOGETHER
BEAUTIFULLY /

info@smail.co.nz
bathco.co.nz

4-8 Ace Place
Kingsland
Auckland 1021
New Zealand

P +64 9 309 9109
F +64 9 309 9343

86 Wigram Road
P.O. Box 8644
Christchurch 8025
New Zealand

P +64 3 343 0969
F +64 3 343 0967

BATH/
CO/

JEE-O TAPWARE

Michel César

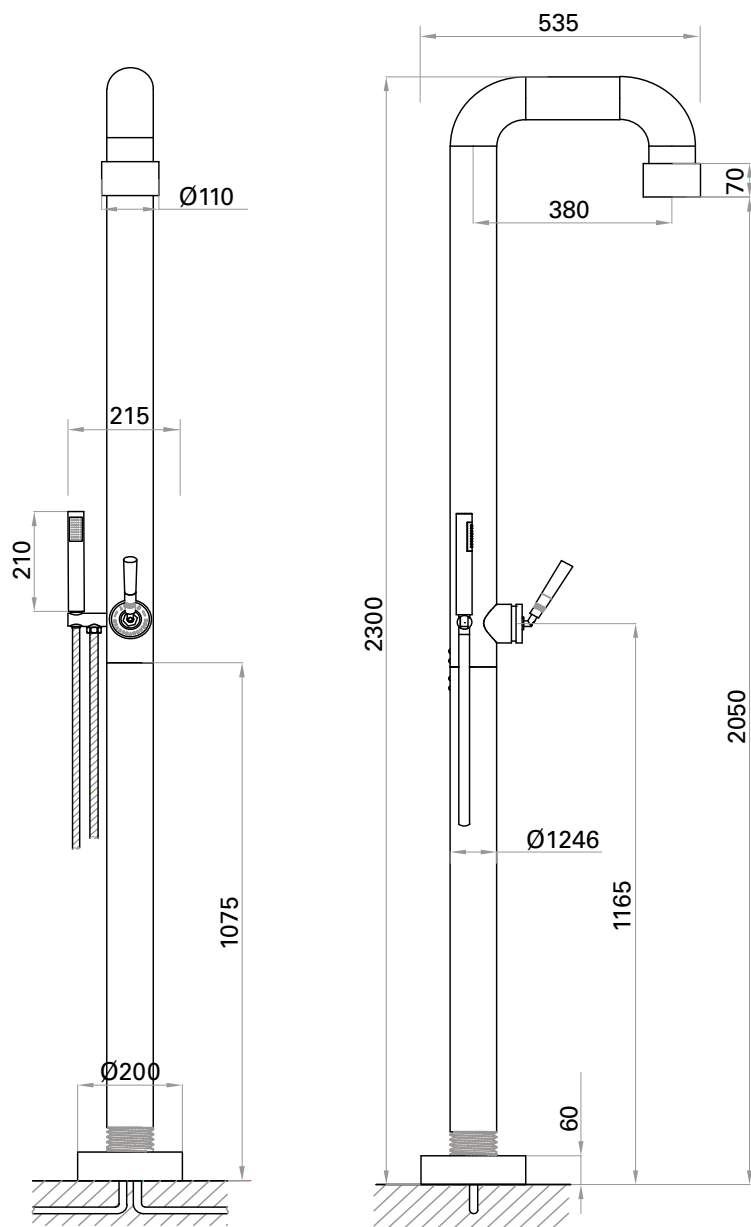
DESCRIPTION

Jee-O Soho 02 Shower Stand, Black

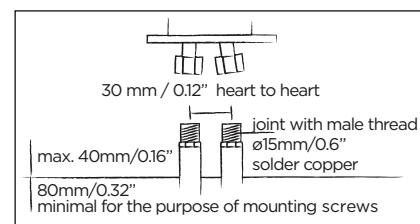
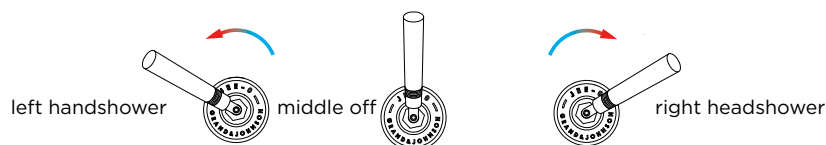
PRODUCT CODE

400-7400

TECHNICAL DRAWINGS



Note:
UV radiation and extreme temperature can affect the color and structure of the JEE-O soho shower 02 surface.



NOTES

Drawing indicates the technical measurement only and is not a reflection of how the unit will look. Sizes are nominal only. All drawings in millimeters. Drawings not to scale.