

## DESCRIPTION

Jee-O Fatline 02 Shower Stand, Brushed

## PRODUCT CODE

400-6460



## FEATURES

- Dimensions: W 285 x H 2300 x D 560 mm
- Material: Stainless Steel r304
- Flow at water of 38°C /100,4°F: 12L p/m at 3bar pressure
- Flexhose: 150 cm length
- Connection: 2 x G ½" (ø15mm / 0.6"), nylon (out) / epdm (in) flexhose with brass swivel
- Thread: British Standard Pipe (BSP)
- Total weight: 17.6 kg
- Place on a water-tight floor

---

## NOTES

Please see following page for technical drawings.

# JEE-O TAPWARE

*Michel César*

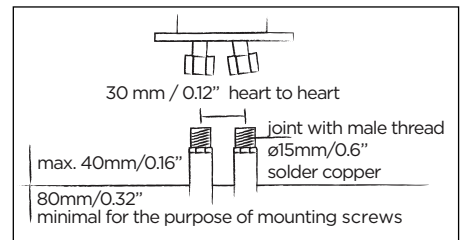
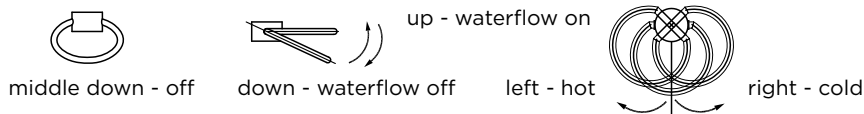
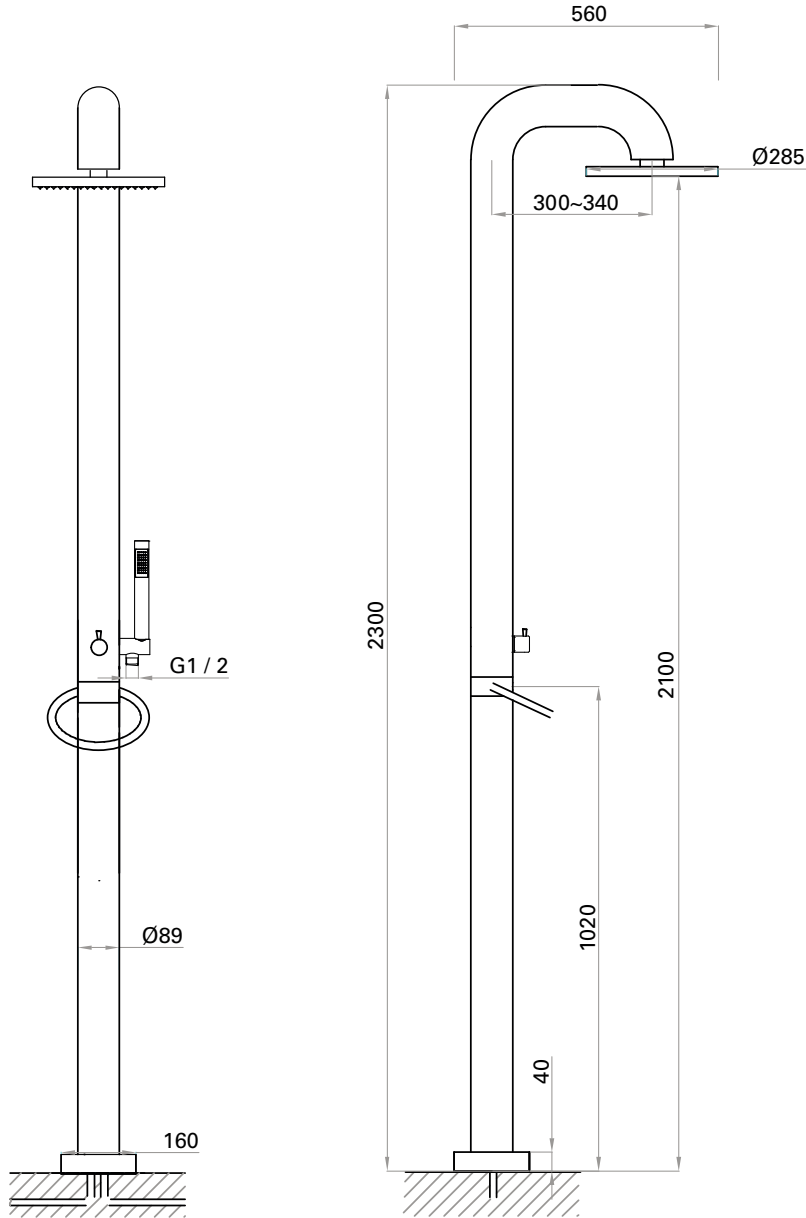
## DESCRIPTION

Jee-O Fatline 02 Shower Stand, Brushed

## PRODUCT CODE

400-6460

## TECHNICAL DRAWINGS



## NOTES

Drawing indicates the technical measurement only and is not a reflection of how the unit will look. Sizes are nominal only. All drawings in millimeters. Drawings not to scale.