

In-Wall Cistern

vcbc

DESCRIPTION

In-Wall Cistern (for Floor-Standing Toilets)

PRODUCT CODE

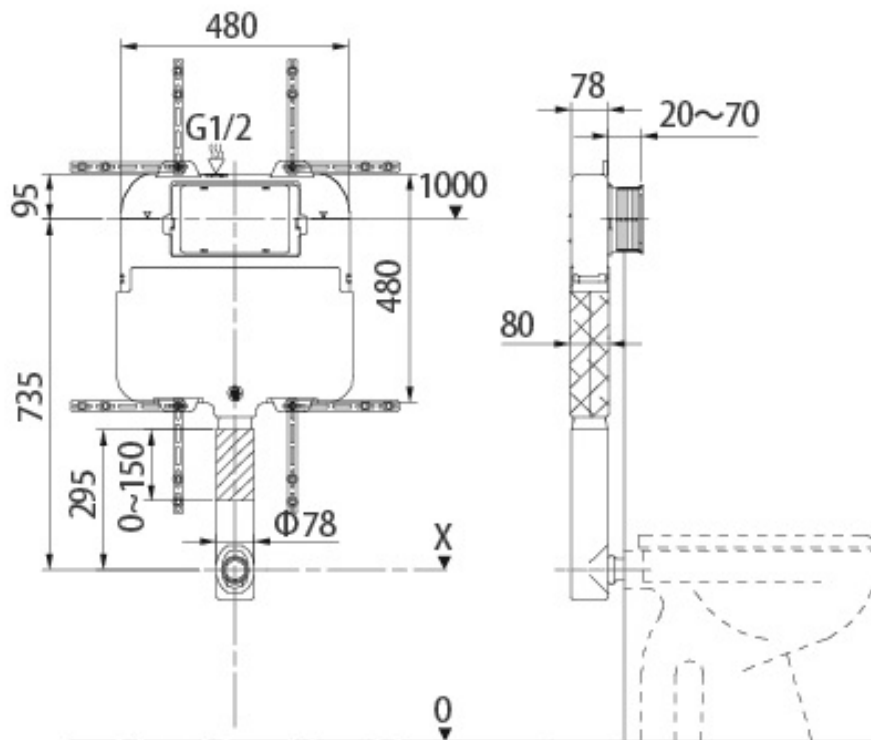
3D1.1005



FEATURES

- Dimensions - W480 x H830 x D78 mm
- Thickness of cistern 80mm, fits into 90mm walls
- Pair with our Round / Rectangle Flush Plate, available in White / Chrome High Gloss / Chrome Matt / Black (sold separately).
- Concealed cistern insulated to prevent condensation
- Adjustable dual flush valve
- Supplied with flush bend pipe
- Protection cover for service opening
- Inlet location hole is at the top
- 4 star WELS rating

TECHNICAL DRAWINGS



NOTES

Drawing indicates the technical measurement only and is not a reflection of how the product will look. Sizes nominal only. Drawings in millimeters, not to scale. Feb 2020.