

# In-Wall Cistern

vcbc

## DESCRIPTION

In-Wall Cistern with Steel Frame

## PRODUCT CODE

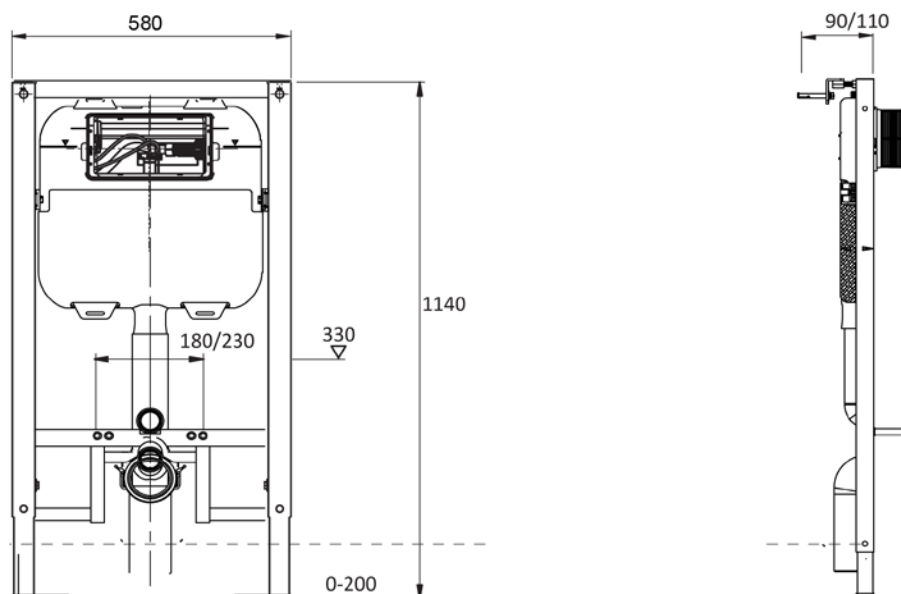
3D1.1004



## FEATURES

- Dimensions - W580 x H1140 x D110 mm
- Steel frame for use with wall-hung toilets.
- To fit into 90mm walls. The fully framed cistern has adjustable height and comes complete with 100mm water outlet.
- Adjustable dual flush valve and height frame.
- Pair with our round or rectangle flush plates, available in White, Chrome High Gloss, Chrome Matt, or Black (sold separately).
- 4 Star WELS rating.

## TECHNICAL DRAWINGS



## NOTES

Drawing indicates the technical measurement only and is not a reflection of how the product will look. Sizes nominal only. Drawings in millimeters, not to scale. August 2019.