

DESCRIPTION

Form Petite ClearStone Freestanding Bath

PRODUCT CODE

325.A.21127

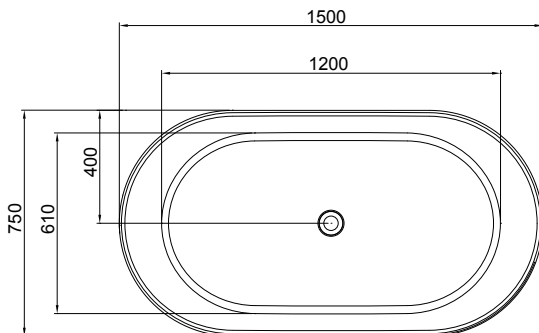


FEATURES

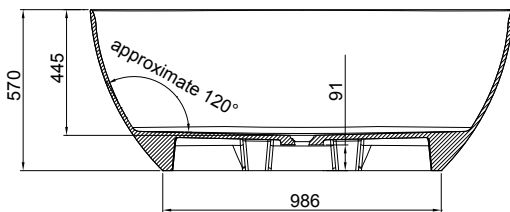
- Dimensions - L 1500 x H 570 x W 750 mm
- Sedimentary stone composite with Gibbsite mineral filler
- Product weight - 67kg
- Displaced Capacity - 218 litres (bath's capacity less 70 litres)
- Average thickness throughout the bath is 10mm
- Not suitable for rim-mounted taps
- Bath supplied without an overflow.
- Template for overflow drilling is attached to the bath for easy installation on site.
- Optional overflow is an exposed, floor draining overflow in chrome plated brass finish - code CW11.

TECHNICAL DRAWINGS

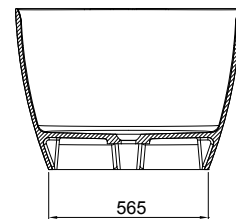
Top



Front Section



Side Section



NOTES

*N.B: Excludes tapware & accessories. Drawing indicates the technical measurement only and is not a reflection of how the product will look. Sizes are nominal only. All drawings in millimeters. Drawings not to scale.