

319.B.19909

LOOP

FREESTANDING ACRYLIC BATH

vcboc
FOR BATHROOMS



*Tapware not included

319.B.19909
LOOP FREESTANDING BATH

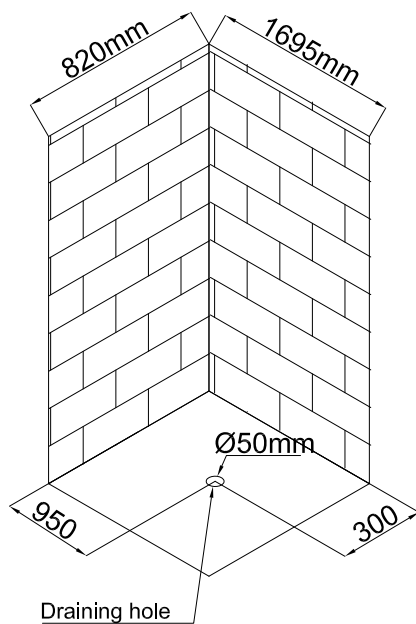
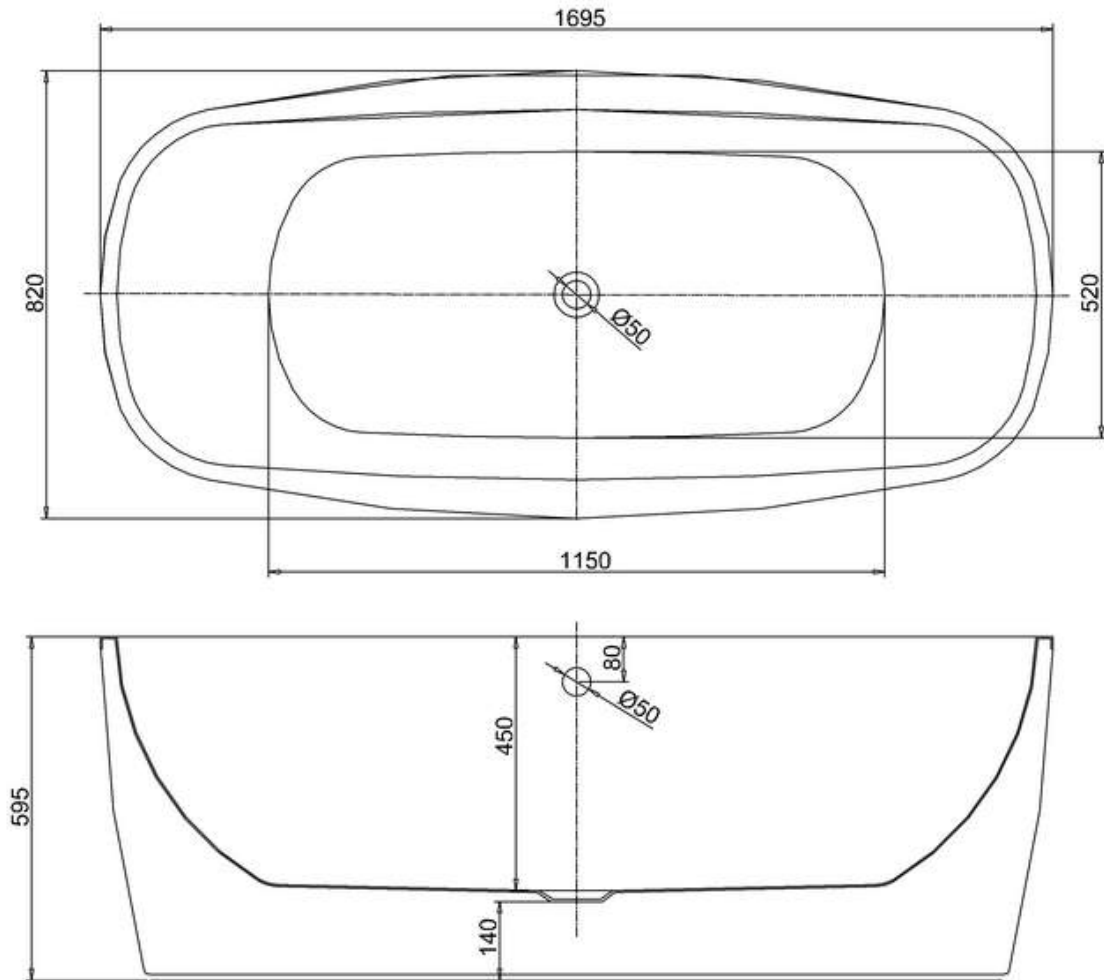
- Dimensions - **W** 1695mm **H** 820mm **D** 595mm
- Price includes pop-up waste

319.B.19909

LOOP

FREESTANDING ACRYLIC BATH

vcloc
FOR BATHROOMS



INSTALLATION INSTRUCTION

A: Water Supply: External water pipe.

B: Draining: The draining pipe can be located in the mark Draining Hole in below figure (but do not set it in the centre)