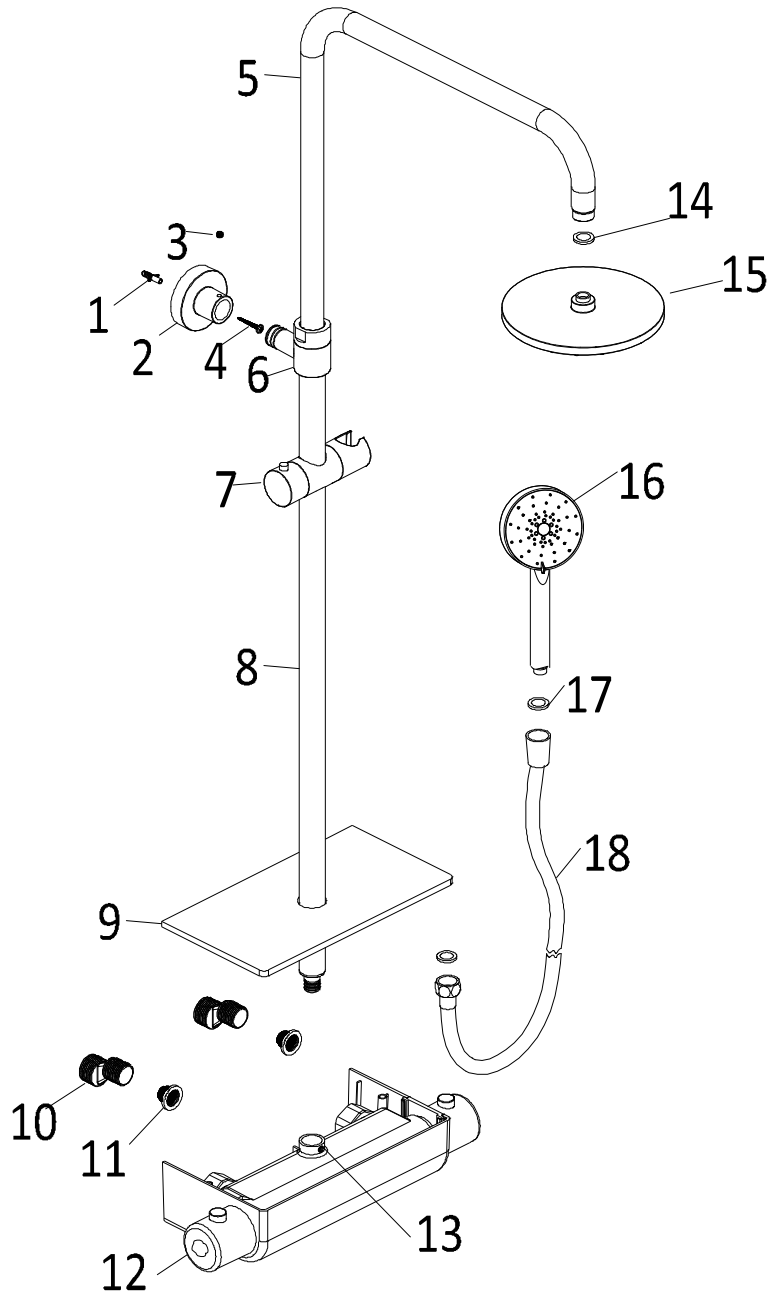


# Instruction Manual

Please check the components in accordance with the table list below. Any shortage, please contact the local agent.

The appearance of the products can vary according to different models. Below drawing is for reference only.

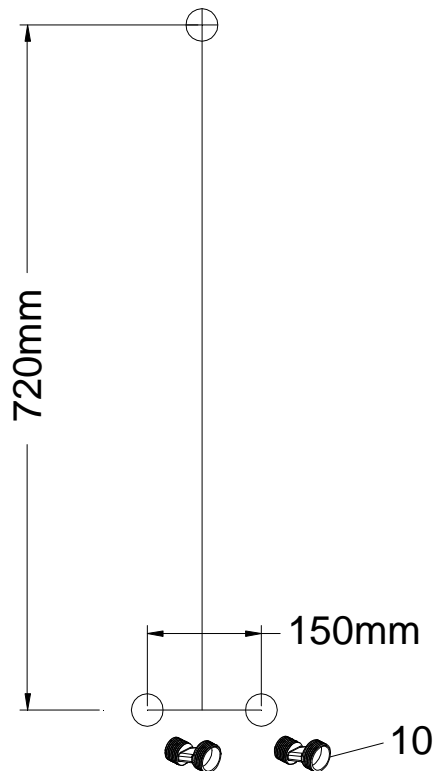
Warning: Please ensure there are no hidden service pipes or cables where you intend to drill!



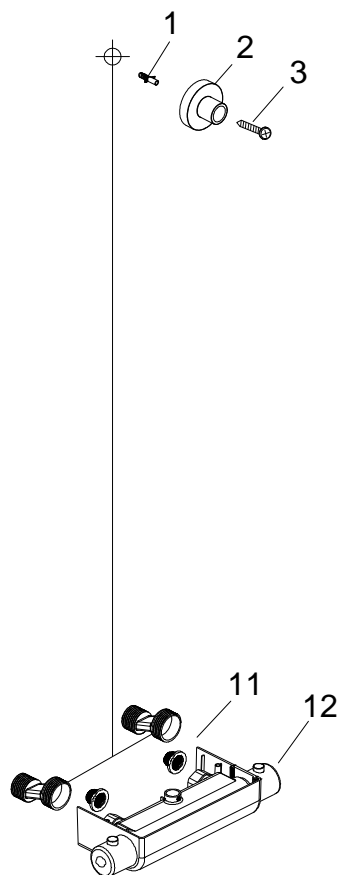
## Part List

No.	Part Name	Qty
01	Plug	1
02	Wall bracket	1
03	Fixing screw	1
04	Screw	1
05	Arm tube	1
06	Connecting sleeve	1
07	Slider	1
08	Straight tube	1
09	Glass shelf	1
10	S-connectors	2
11	Filter gasket	2
12	Mixer	1
13	Fixing screw	1
14	Rubber gasket	1
15	Headshower	1
16	Handshower	1
17	Rubber gasket	2
18	Hose	1

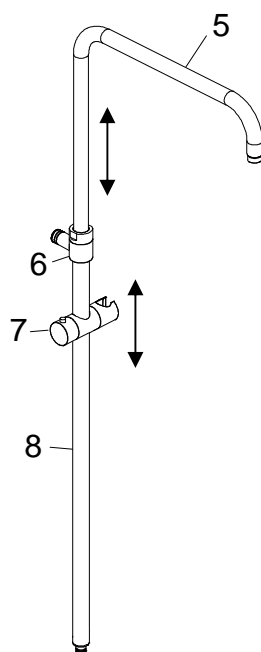
① Drill one hole about 720 mm above the inlet holes on the wall. Mount the two S-connectors(10) on two water inlet holes.



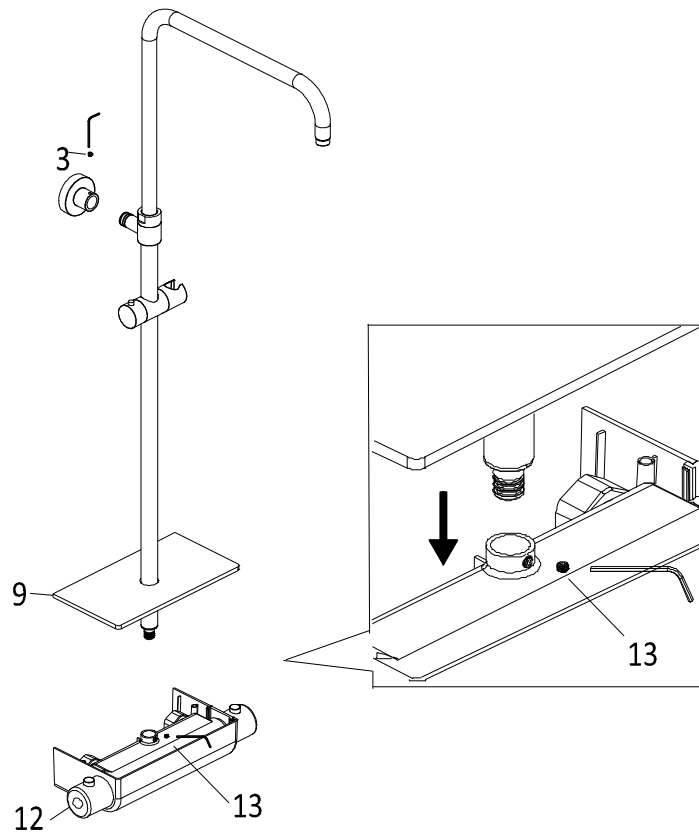
- ② Insert the plugs (1) into the wall, fix the wall bracket (2) with the screw(3) on the wall, and mount the mixer(12) with filter gasket (11).



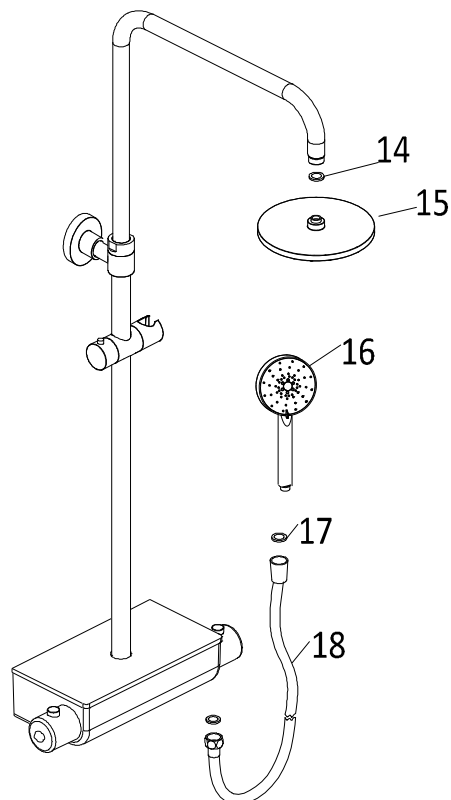
Arm tube (5) , connecting seelve (6), slider (7) and straight tube (8) have been assembled. Adjust the connecting sleeve to the arm tube (5) and straight tube (8) suitable height.



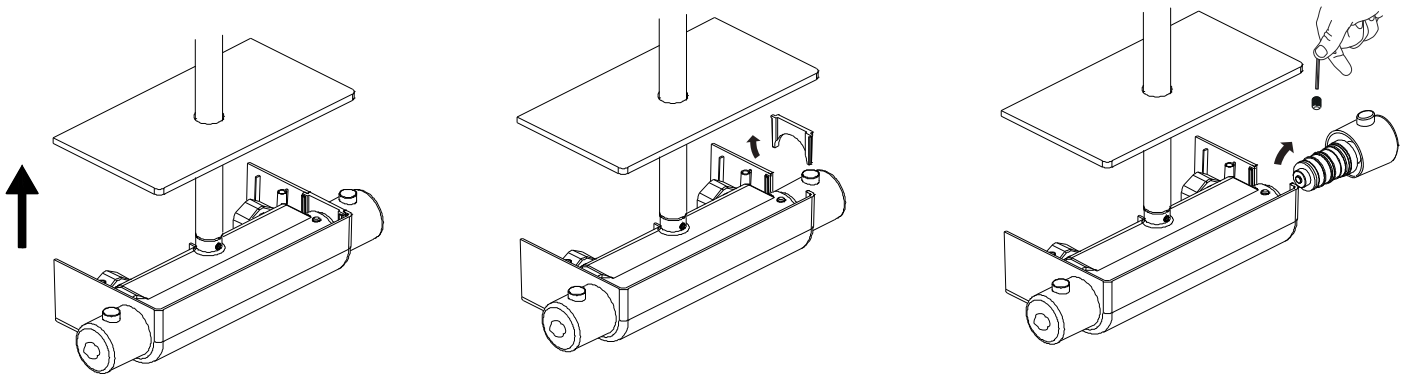
- ③ Fix the tube on the connector by fixing screws. Put the glass shelf (9) through the tube.  
(3). Fix the tube and the mixer by fixing screw(13).



- ④ Fix the showers (15 +16) and hose (18), adding rubber gaskets (17) inside.



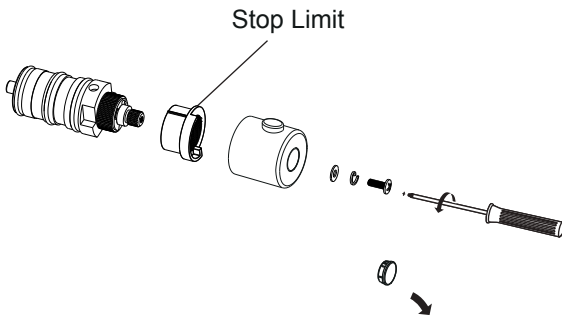
# 1. Replace the thermostic cartridge



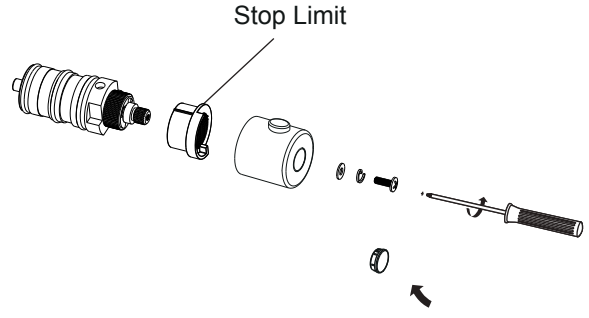
Step 1: Move up the glass shelf.

Step 2: Take out the side cover.

Step 3: Remove the grub screw and take out the cartridge.

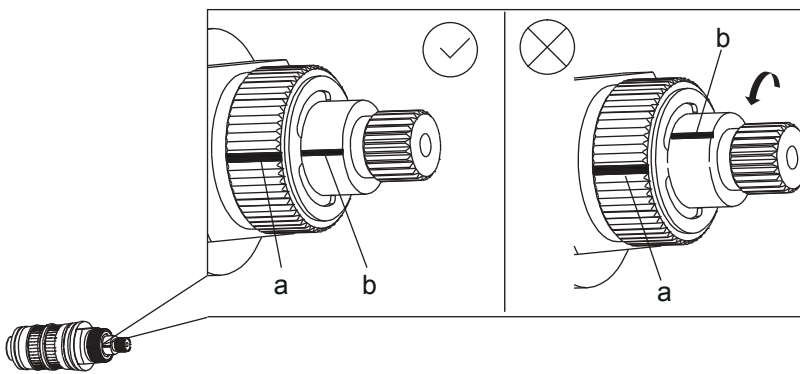


Step 4: Separate the handle from the cartridge, remove the stop limit.

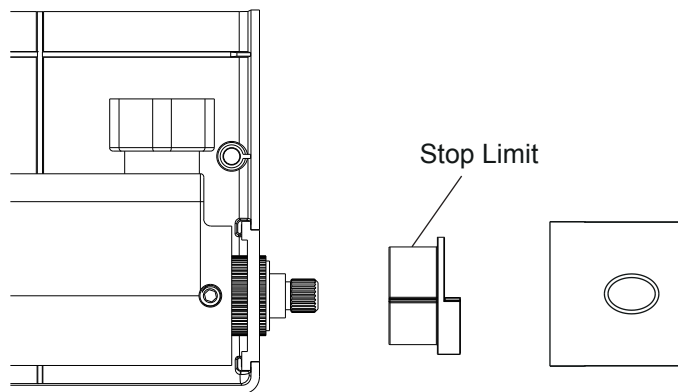


Step 5: Put the new cartridge into the valve body, and put the stop limit and handle back in sequence. Set the temperature (refer to section "Temperature Setting").

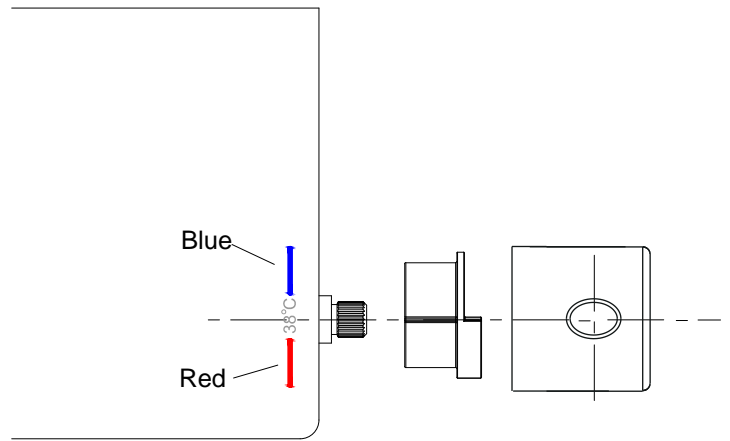
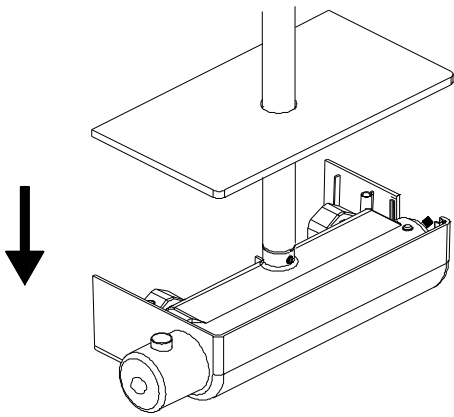
## 2. Temperature Setting - If the temperature does not come up to 38 degrees please confirm the following settings before calling the merchant to report a problem



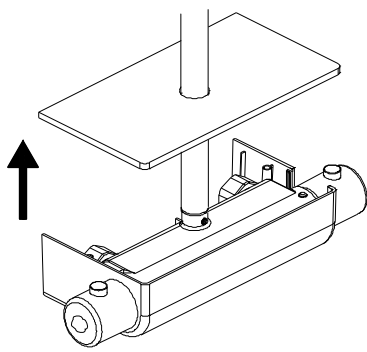
Step 1: Align the blank marks on part a and b.



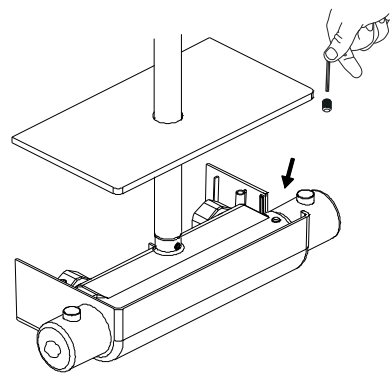
Step 2: Put the stop limit back onto the cartridge. Ensure that the mark on the stop limit aligns with the mark on the cartridge.



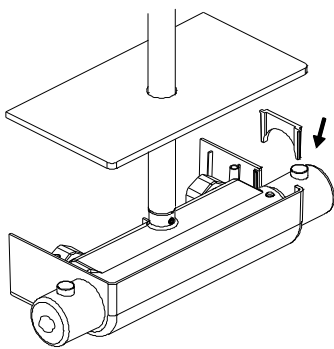
Step 3: Move back the glass shelf. Put the handle back on and ensure the center of the handle aligns with the center of on the mark on the glass shelf.



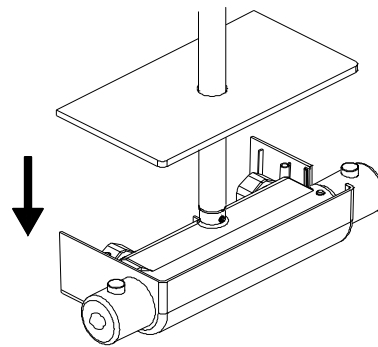
Step 4: Move up the glass shelf again.



Step 5: Tighten the screw.



Step 6: Put back the side cover.



Step 7: Put back the glass shelf.

## Working Conditions

1. Water quality: Lime scale may affect the cartridge function over time.
2. This valve is a thermostatic mixing device and therefore requires the water supplies to be balanced. Whilst the unit will function on a low pressure system, flow rates will be affected especially through the dump shower so the recommendation is to run this on balanced hot and cold water pressure 2bar and above.
3. For the hot water, the recommended temperature is between 55 and 65°C. If it goes above 65 degrees, then it will affect the cartridge over time and void any warranty.