

## DESCRIPTION

Form Grande Freestanding Natural Stone Bath

## PRODUCT CODE

1B1.1311

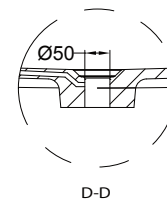
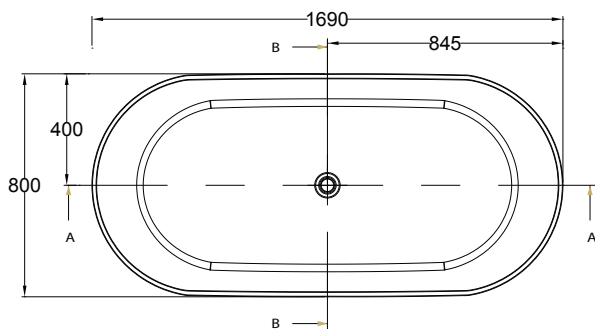


## FEATURES

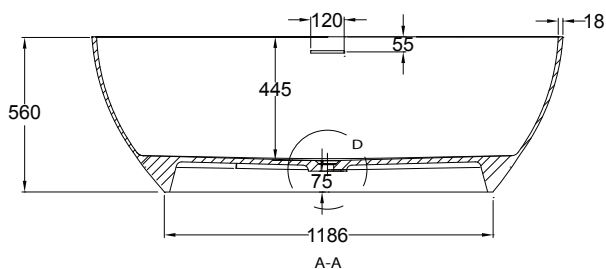
- Dimensions - L1690 x H560 x W800 mm
- Weight - 102kg
- Displaced Capacity - 277 litres\*
- Manufactured using our natural stone and mineral technology, these baths are lighter in weight than most so that they don't weigh a tonne.
- Designed with a thick edge to have a more solid appearance. Average thickness throughout is 10mm.
- Hand polished for over 10 hours for a velvety smooth finish (non-glossy).
- Excellent heat retention so that you can enjoy your bath for longer.
- Comes with an integrated overflow and pop-up bath waste (1B2.1037).

## TECHNICAL DRAWINGS

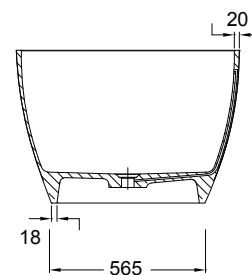
Top



Front



Side Section



## NOTES

\*Volume of water contained in the bath if filled to the overflow less 70 litres to allow for an average person in the bath. Not suitable for rim-mounted taps. Suction mats not to be used on this bath. Tapware and accessories not included. Drawing indicates the technical measurement only and is not a reflection of how the unit will look. Sizes are nominal only. All drawings in millimeters. Drawings not to scale. August 2019.