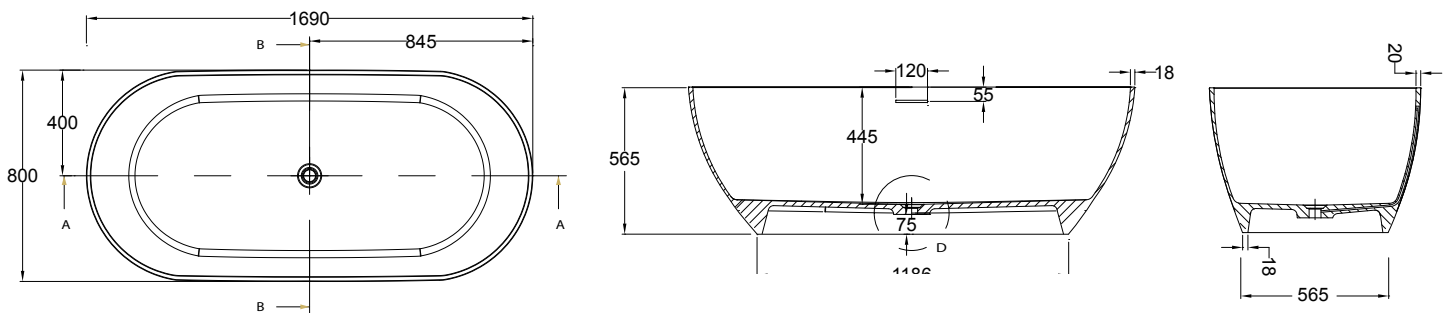


1B1.1311
FORM
NATURAL STONE BATH

vcboc
FOR BATHROOMS



Natural Stone baths are smooth, solid and velvety to touch.



1B1.1311
FORM, NATURAL STONE BATH

- Dimensions - W 1690 H 565 D 800
- Product weight - 102kg
- Bath water volume - 362 litres*/292 litres**
- Our natural stone baths are one piece and manufactured using our natural stone & mineral technology to create bathing products that do not weigh the earth.
- Includes integrated overflow and waste.

* Volume of water contained in the bath if filled to the overflow.

** Volume of water contained in the bath if filled to the overflow less 70 litres to allow for an average person in the bath