

Square Shower Bath

vcbc

DESCRIPTION

Square Shower Bath - End Panel

PRODUCT CODE

1B1.1145

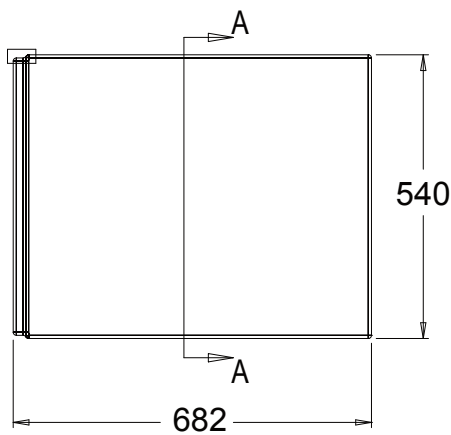


FEATURES

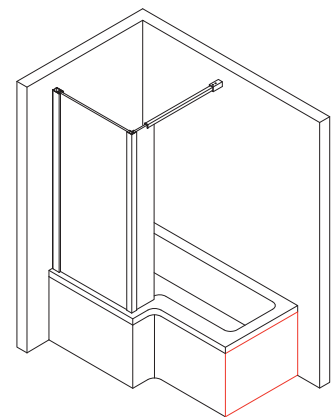
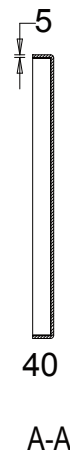
- Dimensions - L680 x H540 x W40 mm
- Material - Acrylic panel fully reinforced with GRP.
- To be fitted with Square Shower Bath.

TECHNICAL DRAWINGS

Front



Side Section



NOTES

Sold separately. Drawing indicates the technical measurement only and is not a reflection of how the unit will look. Sizes are nominal only. All drawings in millimeters. Drawings not to scale. September 2019.