

# Drop Me Bath

vcbc

## DESCRIPTION

Drop In Bath - Drop Me 1800mm

## PRODUCT CODE

1B1.1141

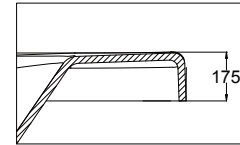
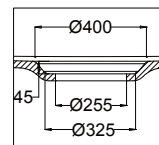
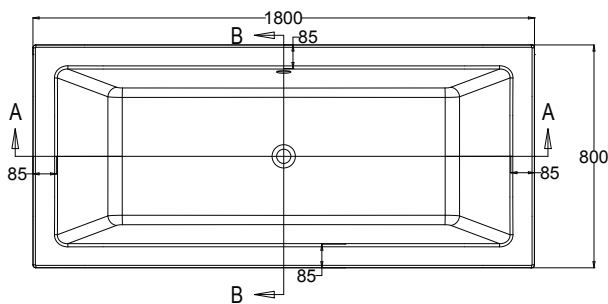


## FEATURES

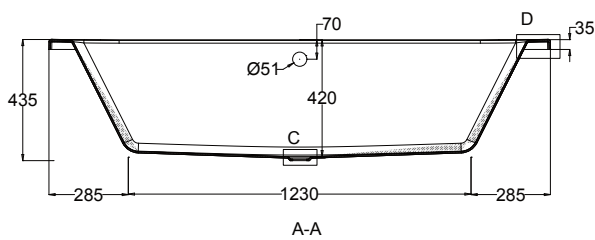
- Dimensions - L1800 x H415\* x W800 mm
- Weight - 26.75kg
- Displaced Capacity - 145 litres\*\*
- Material - Acrylic with 8mm steel rod and Cleargreen reinforcement (uses 30% recycled materials).
- An acrylic that has a sensual surface with excellent thermal properties – it is able to retain heat, warm to touch, and is UV resistant.
- Comes with predrilled overflow hole.
- Included pop-up bath waste (TW2).
- Pair it with Drop In Bath Components - bath screen, front panel, end panel or 4-sided skirt.

## TECHNICAL DRAWINGS

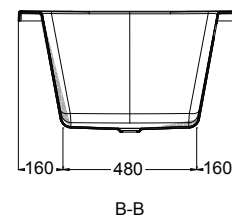
Top



Front



Side Section



## NOTES

Tapware and accessories not included. Drop In Bath Components sold separately. \*Height does not include feet or panels. Height of feet adjustable from 110 - 150mm. Baths cannot be rebated into walls if use bath glass screens. \*\*Volume of water contained in the bath filled to the overflow, less 70 litres, to allow for an average person in the bath. Suction mats not to be used on this bath. Drawing indicates the technical measurement only and is not a reflection of how the unit will look. Sizes are nominal only. All drawings in millimeters. Drawings not to scale. October 2019.