

Square Shower Bath

vcbc

DESCRIPTION

Square Shower Bath - Right Side

PRODUCT CODE

1B1.1012

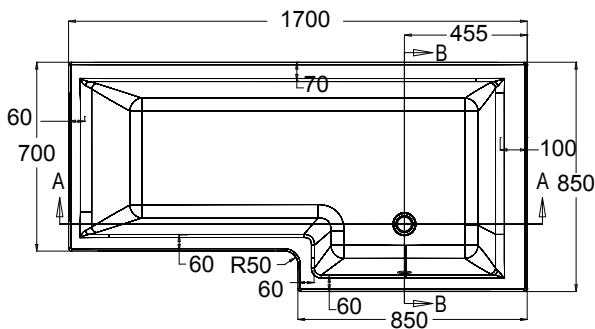


FEATURES

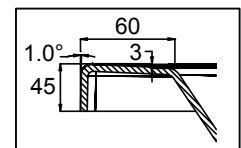
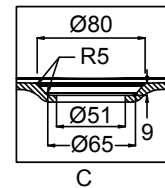
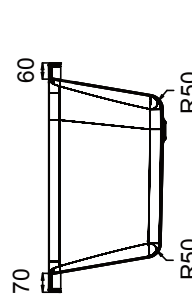
- Dimensions - L1700 x H433* x W850 mm
- Weight - 31.75kg
- Displaced Capacity - 165 litres*
- Available in Left or Right side.
- Material - Acrylic with 8mm steel rod and Cleargreen reinforcement.
- Made from an acrylic that has a sensual surface with excellent thermal properties – it is able to retain heat, warm to touch, and is UV resistant.
- Overflow hole is predrilled.
- Included bath waste (TW2).
- Pair it with shower bath panels, glass screen and acrylic wall upstands.

TECHNICAL DRAWINGS

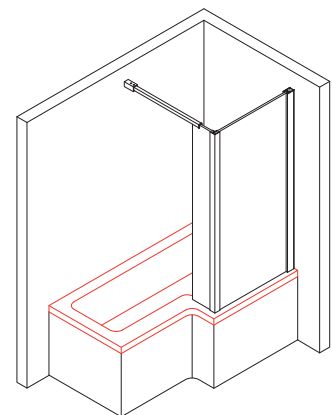
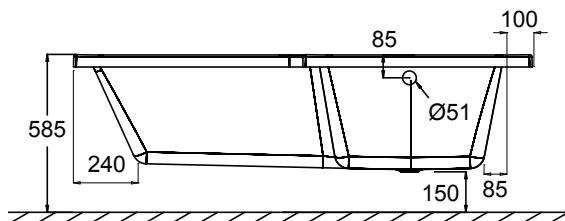
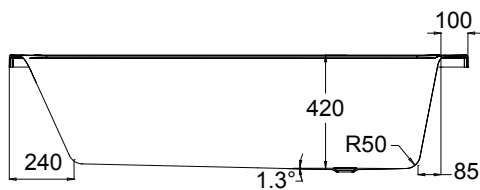
Top



Side Section



Front



NOTES

*Height does not include feet or panels. **Volume of water contained in the bath if filled to the overflow less 70 litres to allow for an average person in the bath. Suction mats not to be used on this bath. Tapware and accessories not included. Drawing indicates the technical measurement only and is not a reflection of how the unit will look. Sizes are nominal only. All drawings in millimeters. Drawings not to scale. September 2019.