

# Central Shower

vcbc

## DESCRIPTION

Central Shower Single Slider Door - 1400mm

## PRODUCT CODE

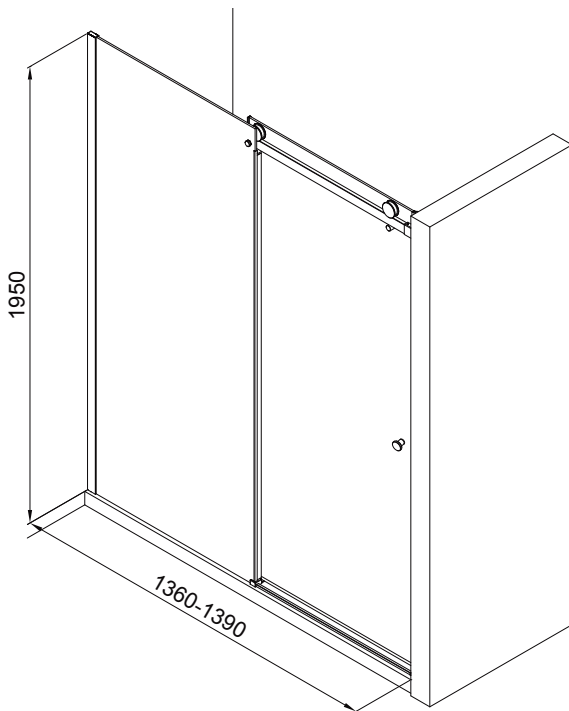
16.D.32505



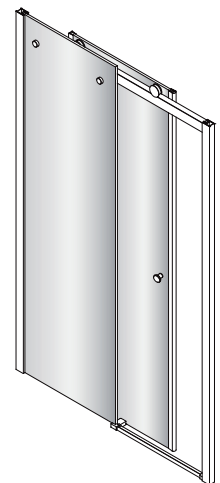
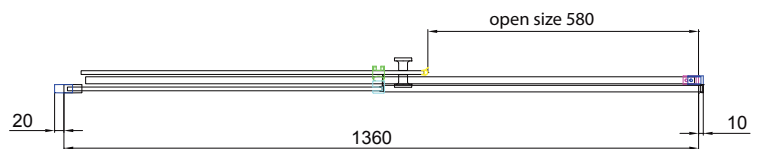
## FEATURES

- Dimensions - W1360 x H1950mm
- Door Entry - W580mm
- Signature roller system using smooth gliding wheels.
- Polished chrome finish fittings.
- 8mm clear toughened safety glass with 3M Ultimate Glass Protection System.
- Powershower proof – Shower screens have been carefully developed and tested to ensure they can withstand the optimum performance of a power shower.
- 30mm adjustment for easy fitting.
- Reversible design for left or right opening.
- Door can be fitted by itself (alcove shower), or with a 900mm side panel (2-sided shower), or as a package\*.

## TECHNICAL DRAWINGS



30mm adjustment for easy fitting per panel



Reversible Design  
(left or right opening)

## NOTES

Excludes tap ware & accessories. \*Available in Alcove or 2-sided Shower Package. Package includes a side panel (2-sided shower package only), slider door, 2-sided acrylic wall liner, shower tray with upstands, easy clean waste and glue pack. If a liner or upstands are required – these are custom-made and are supplied after wall-to-wall GIB measurements have been provided. Drawing indicates the technical measurement only and is not a reflection of how the unit will look. Sizes are nominal only. All drawings in millimeters. Drawings not to scale. October 2019.