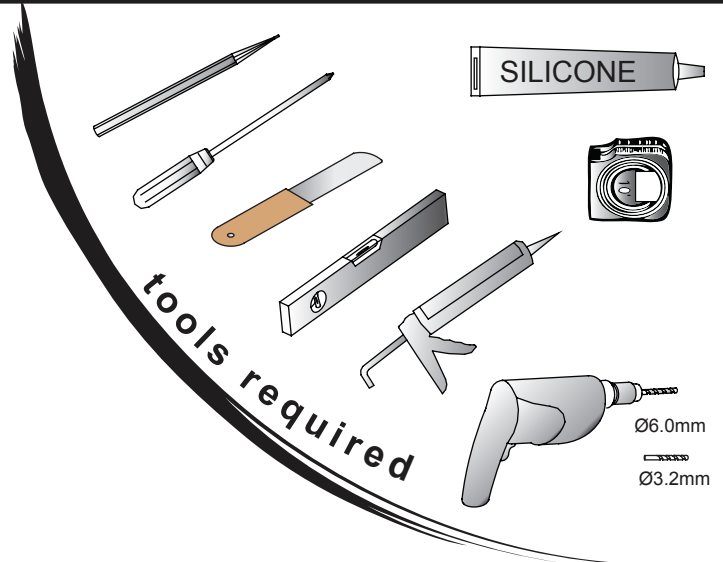
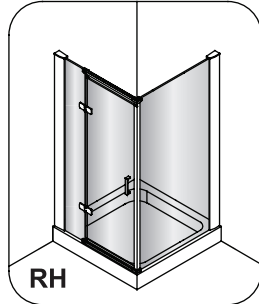
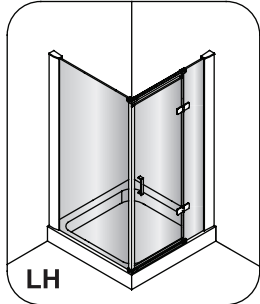


INSTRUCTION

900/1000mm Square Door



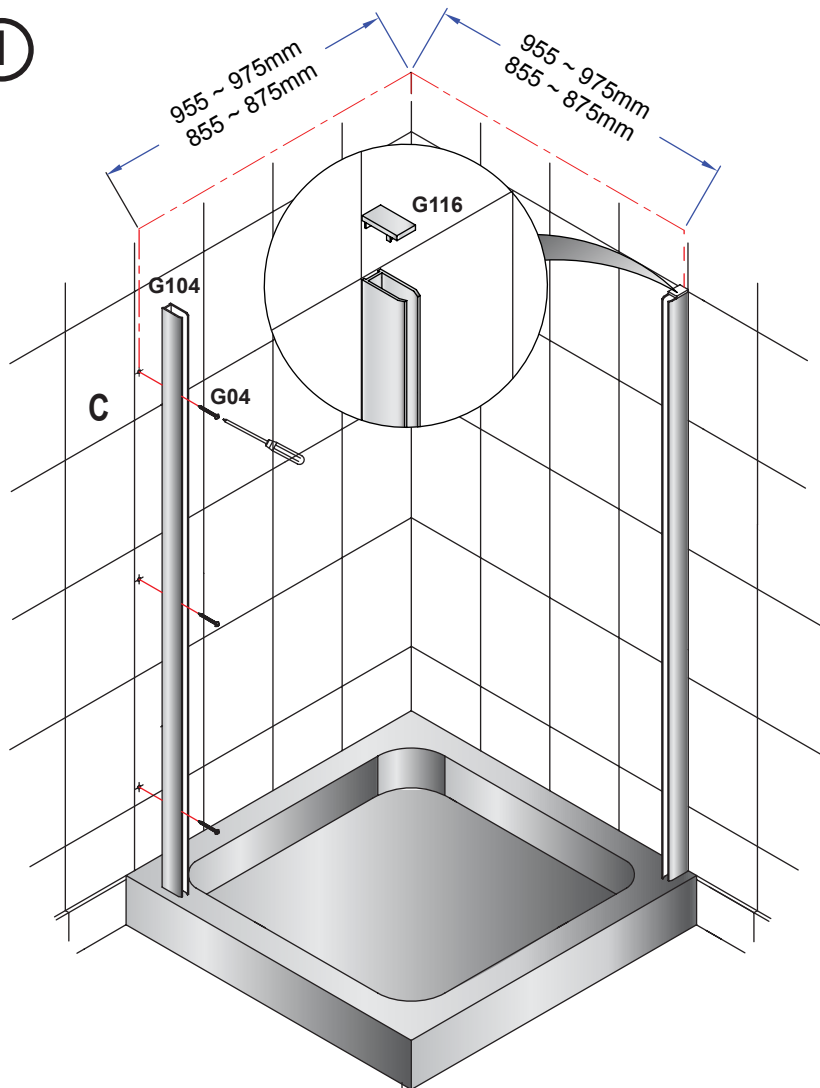
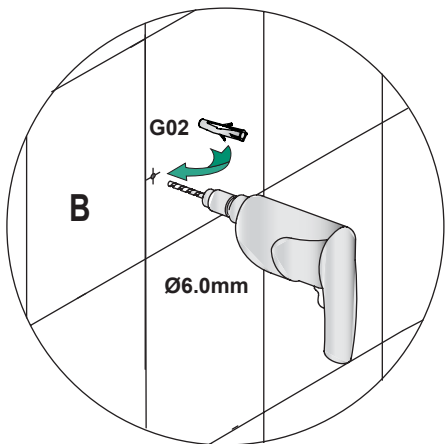
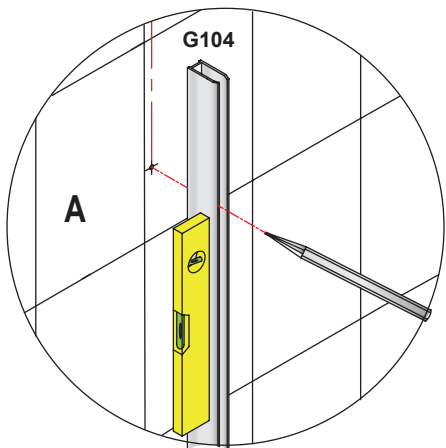
- Shower screen is reversible for installation: door can be either left or right opening.

- Prior to installation check that all fittings have been supplied.
- Select correct parts for the installation. Parts detailed as “ LH ” and “ RH ” would be fitted respectively to the corresponding shower screen.
- Make sure there are no hidden pipes or cables in the wall where you intend to drill.
- Handle glass with care, impacts can damage both the glass and the frame.
- Ensure that the tray has been installed by a suitably qualified person. The tray should be level, the walls should be tiled down to the tray, and the horizontal gap between the tiles and tray must be sealed with silicone sealant to ensure water-tightness.
- Follow each step in turn.

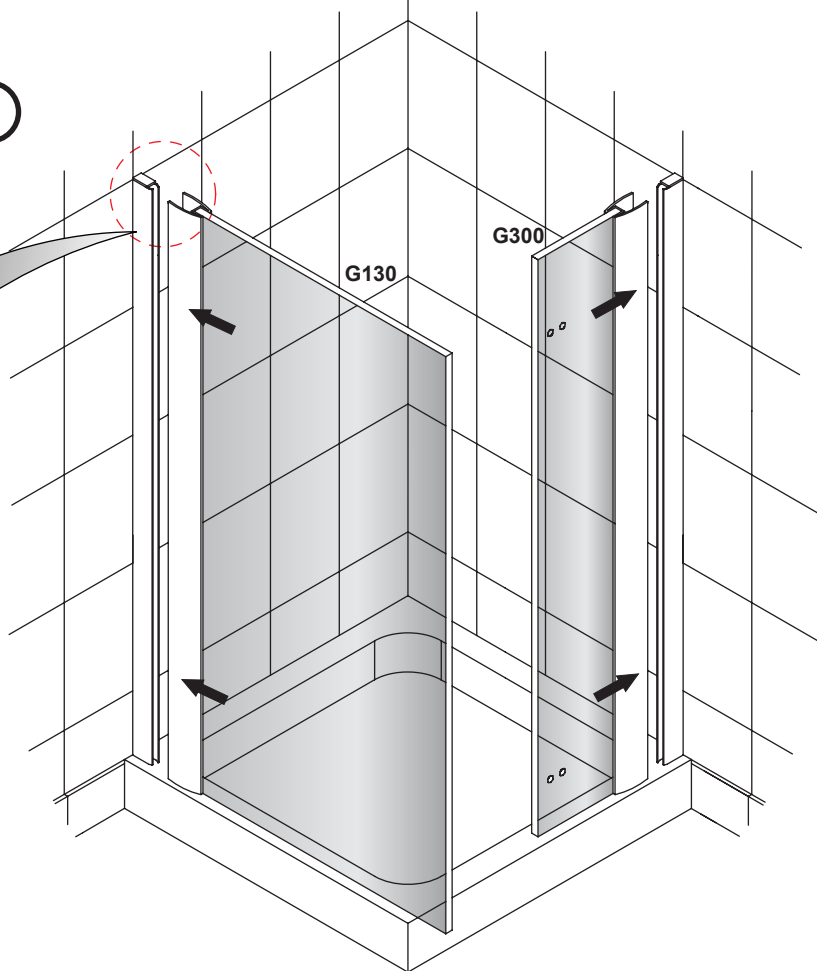
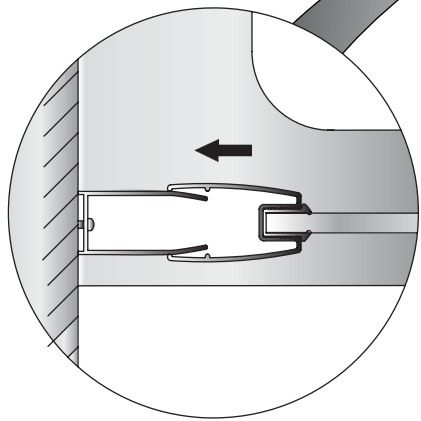
parts supplied:

 1x	 1x	 1x	 2x	 2x	 6x	 6x ST4 *50mm
			 1x	 1x	 1x 4mm	 1x 2.5mm
			 1x	 1x		
 2x	 1x	 1x	 1x LH	 1x RH	 8x	 6x ST4 *12mm
			 1x LH	 1x RH	 4x	 2x
		 1x	 1x	 2x	 1x	 1x
		 1x				

1

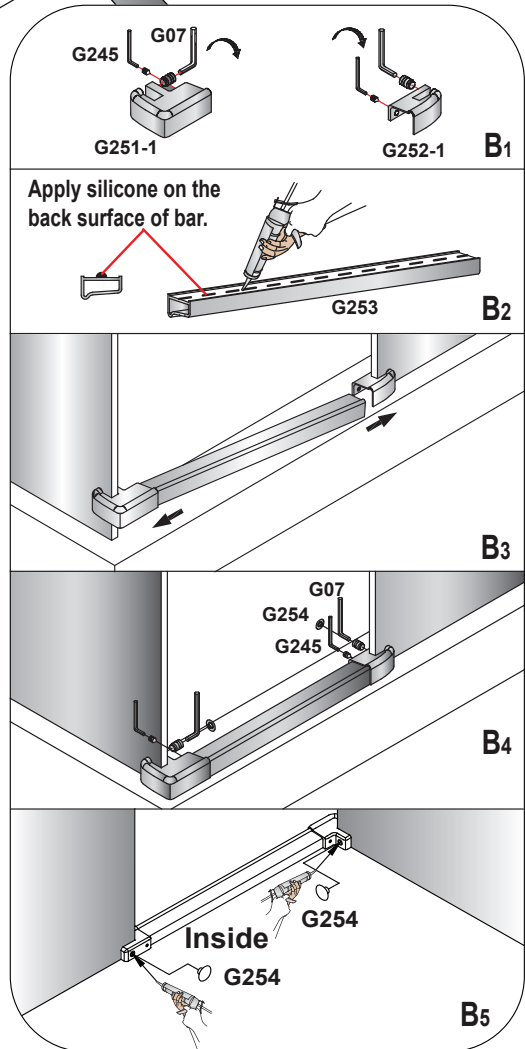
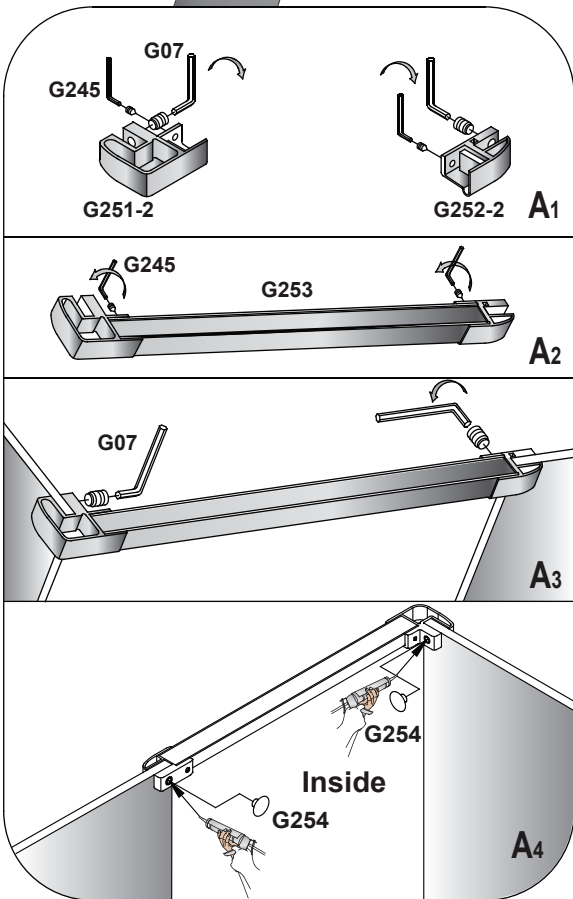
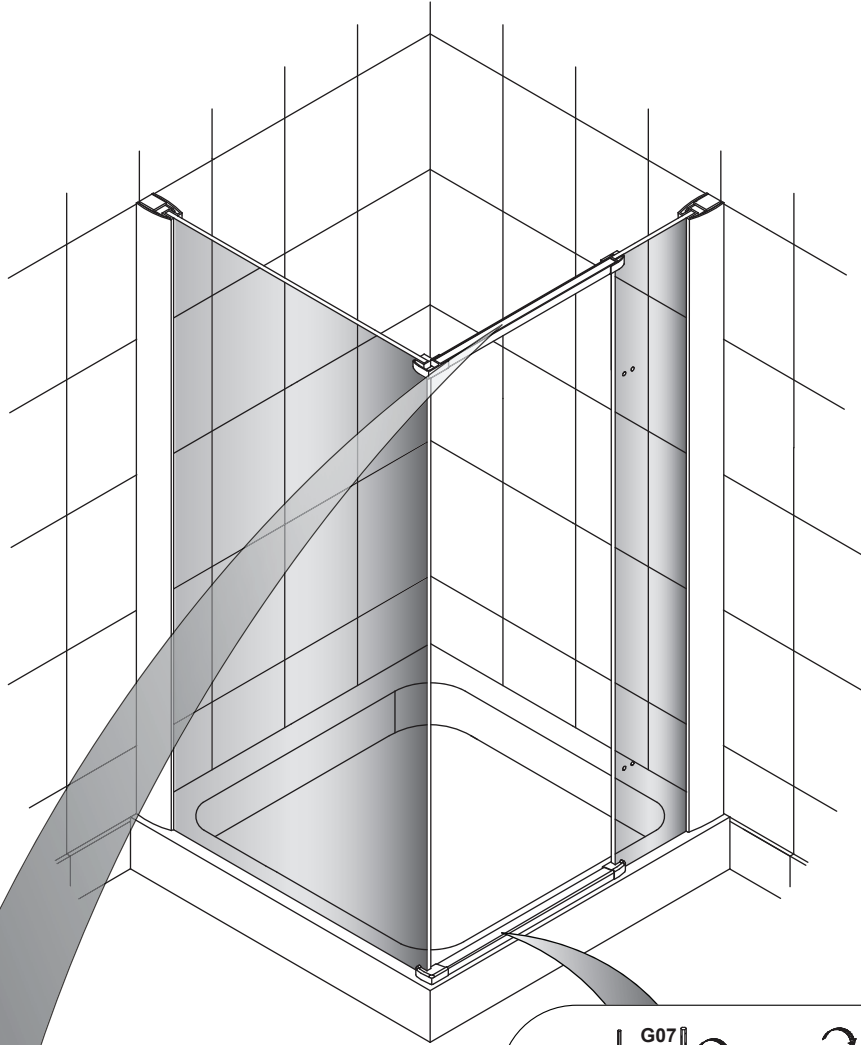


2



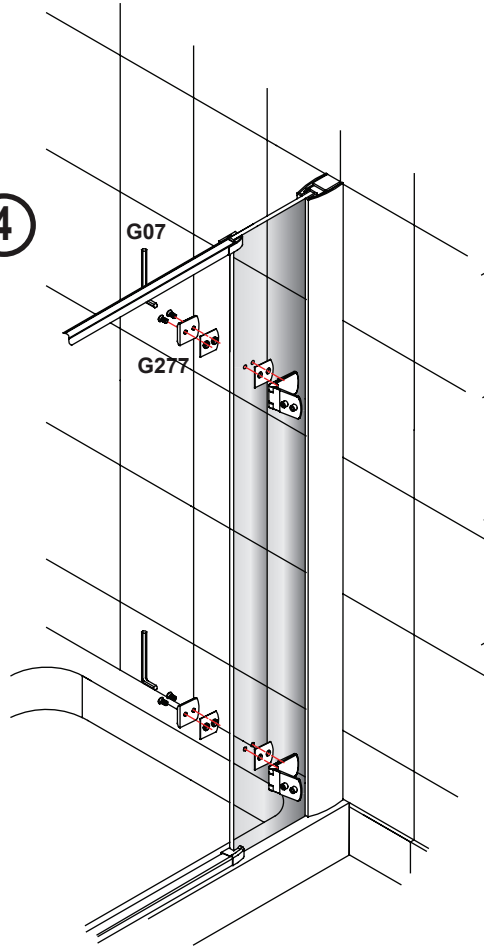
2

3

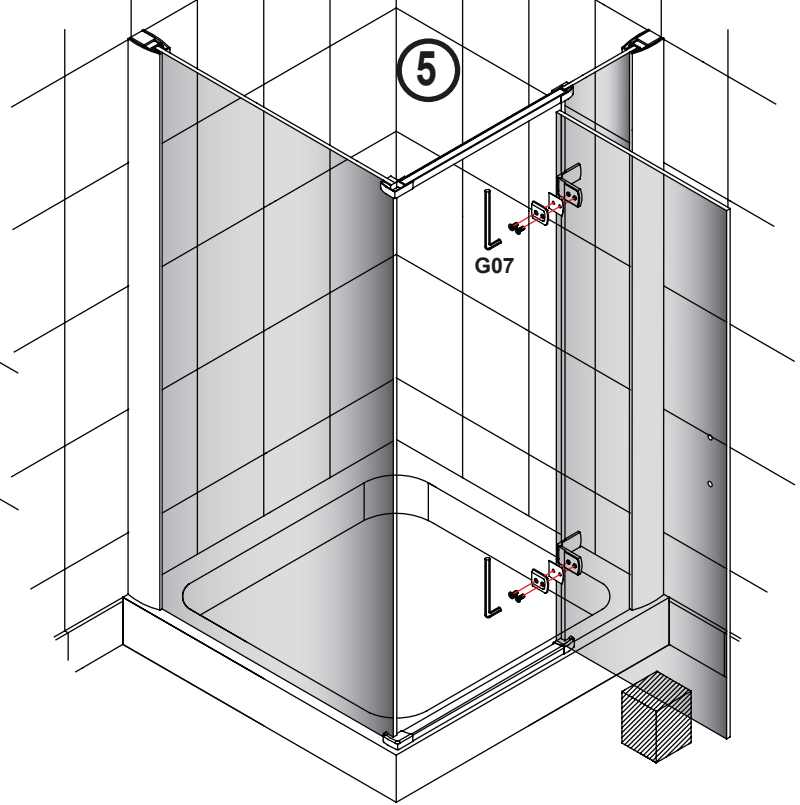


3

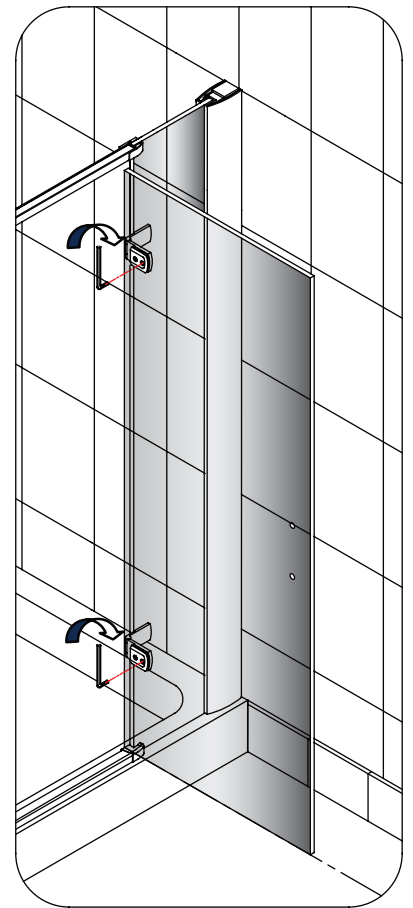
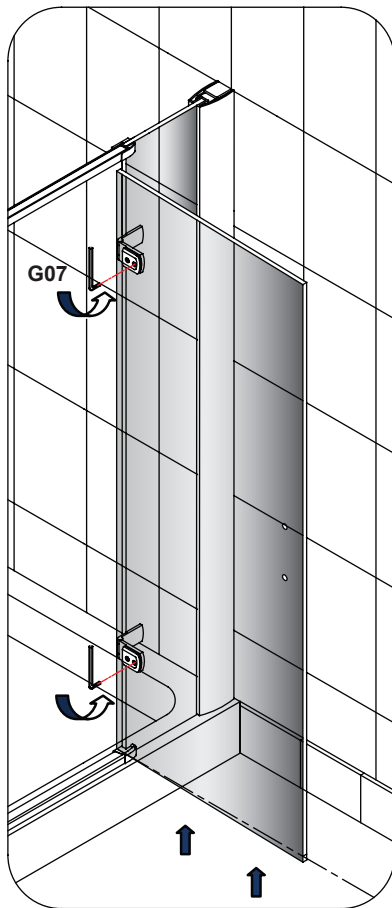
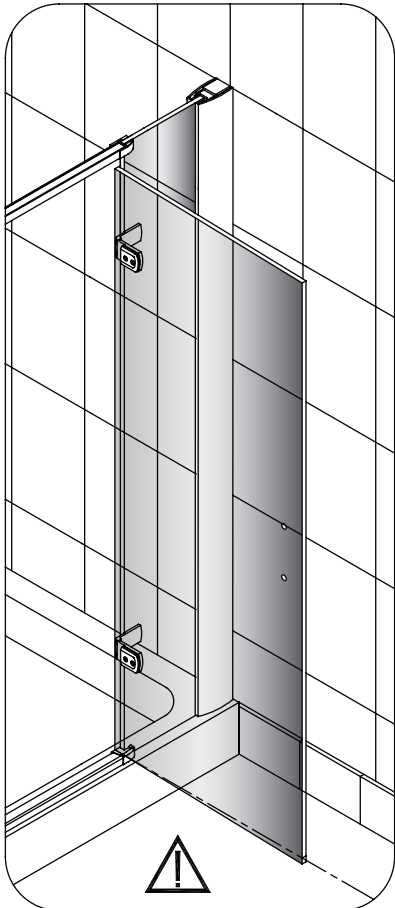
4



5



Make sure the hinges have been tightened securely during installation.
Only if adjustment is required loosen hinge to adjust door square, and then tighten hinge to secure.



4

7a

G299

Please cut off the top redundant section.

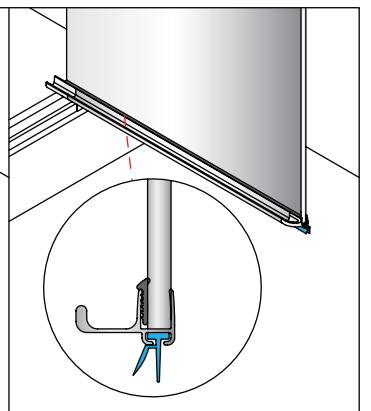
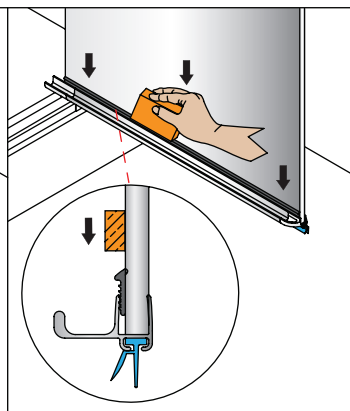
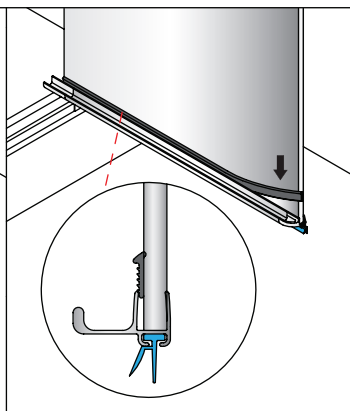
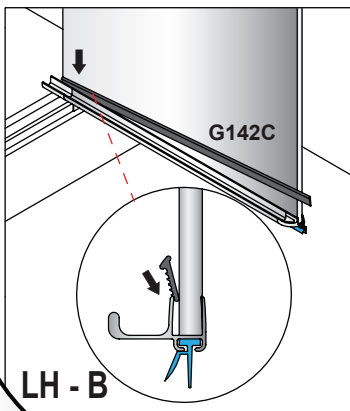
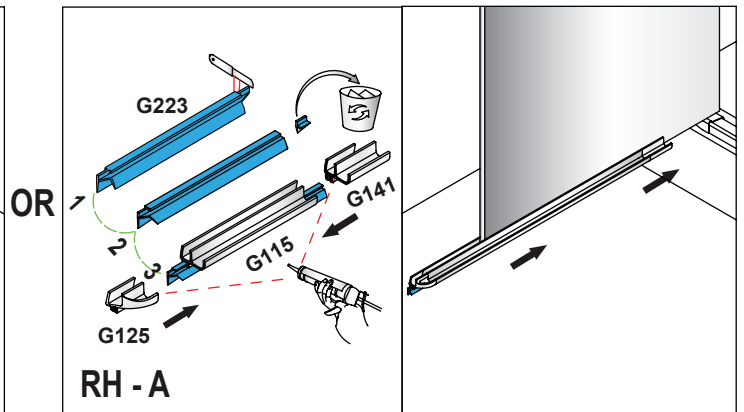
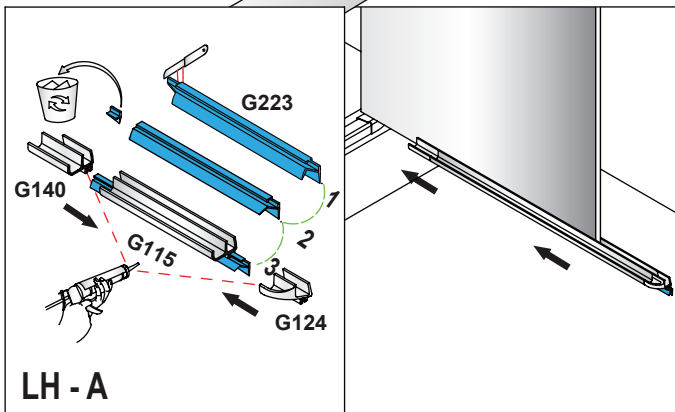
7b

G239

7c

G302

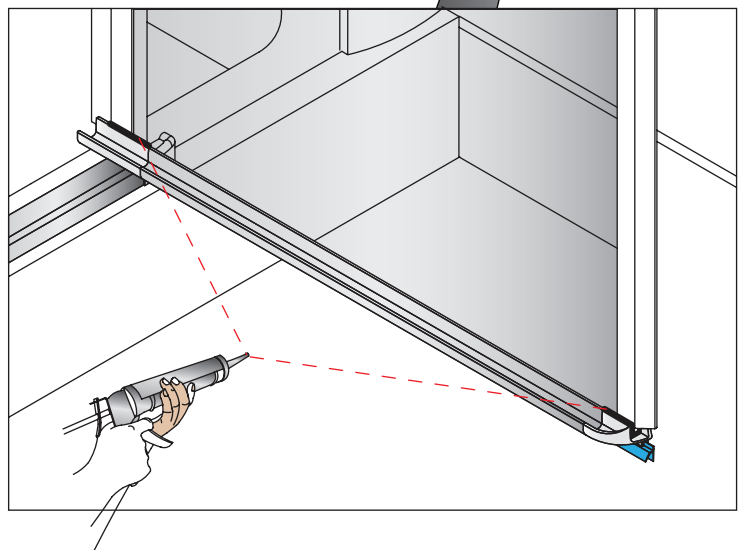
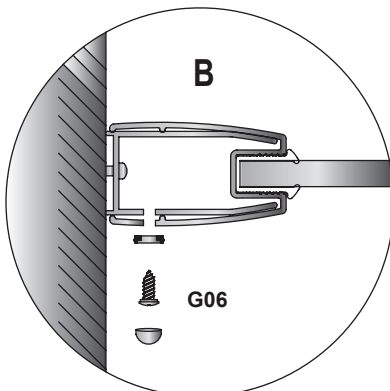
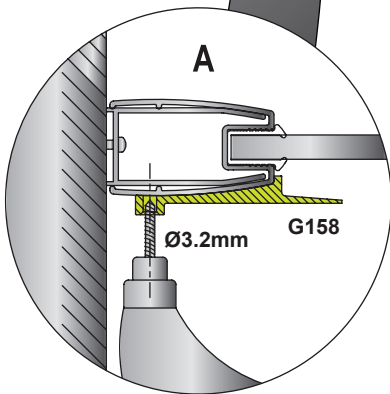
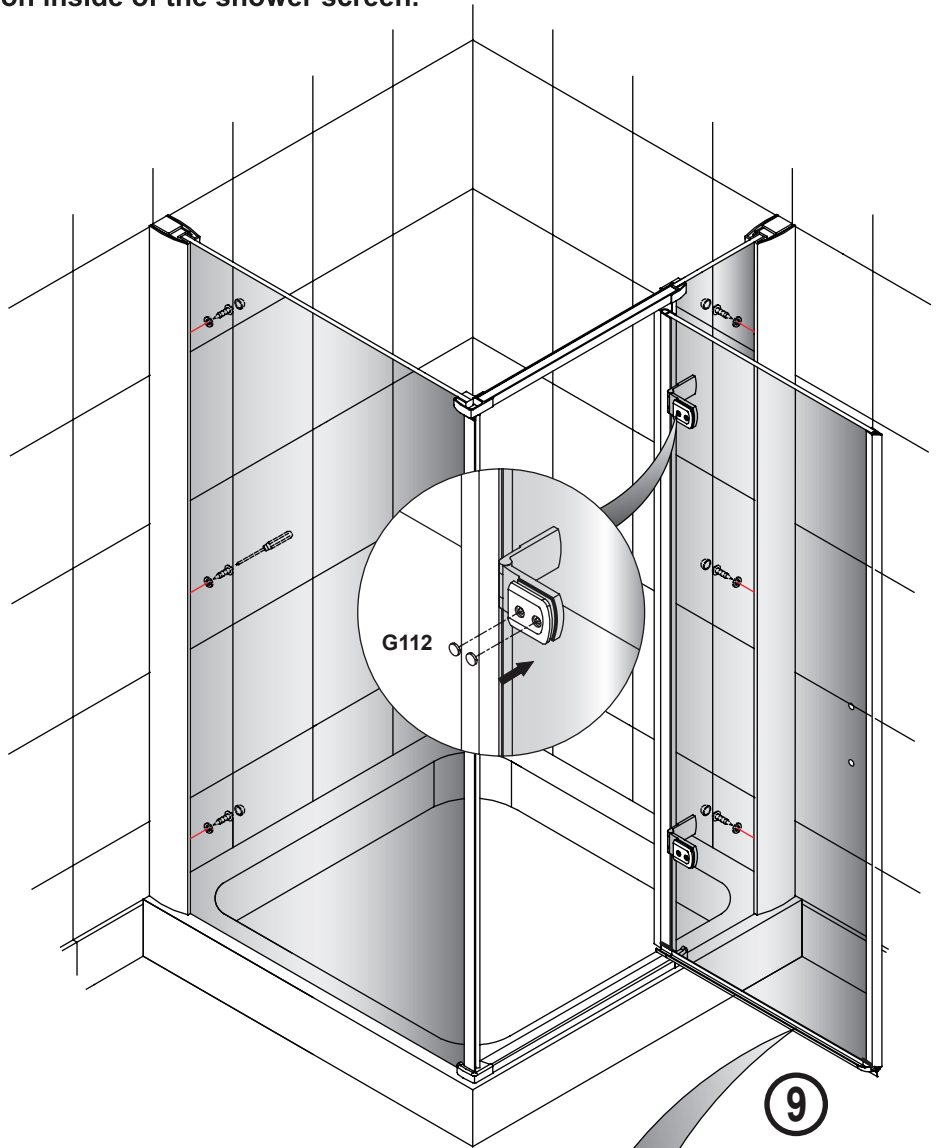
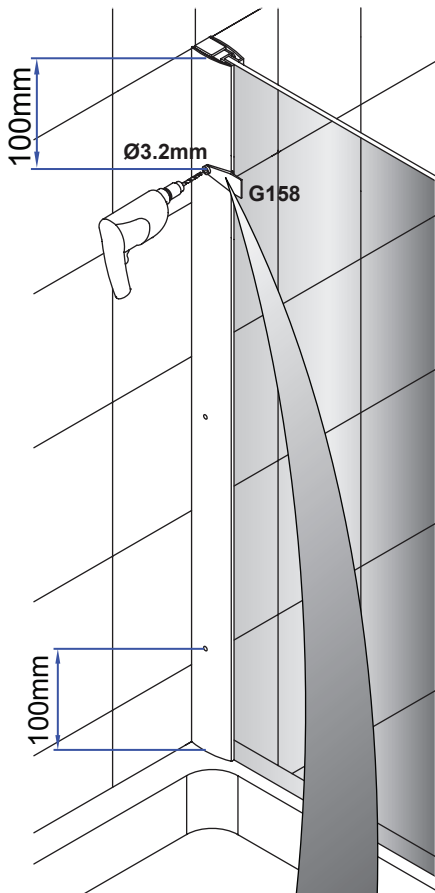
6



5

8

- Ensure that frame is square before fixing.
- All fixings to be done on inside of the shower screen.



6

10 • Use of a non-acidic silicone is recommended.

