

## DESCRIPTION

Curve 1700 Back-to-Wall Freestanding Acrylic Bath

## PRODUCT CODE

15.B.26725

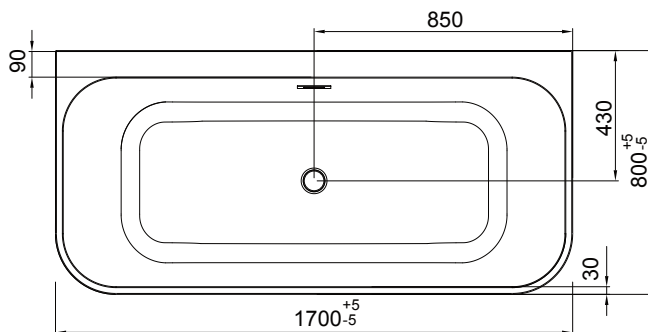


## FEATURES

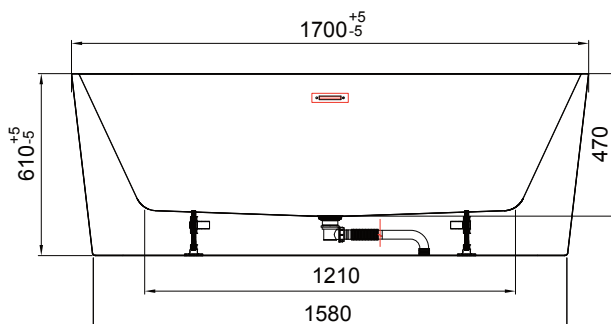
- Dimensions - L1700 x H600 x W800 mm
- Available in 1500 or 1700mm lengths.
- Weight: 73kg
- Made from an acrylic that has a sensual surface with excellent thermal properties. It is able to retain heat and warm to touch.
- Feature back-to-wall design to sit flush against a wall, maximizing space in your bathroom.
- Includes overflow & pop-up waste.

## TECHNICAL DRAWINGS

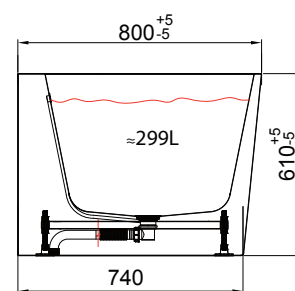
Top



Side Section



End Section



## NOTES

Tapware and accessories not included. Drawing indicates the technical measurement only and is not a reflection of how the unit will look. Sizes are nominal only. All drawings in millimeters. Drawings not to scale. September 2019.